

SCORPA

TRIDE 1.25 2T
2.8 2T

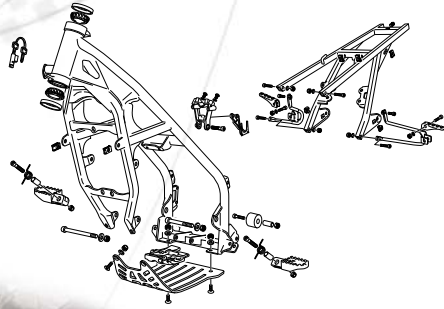
MANUEL DE PIÈCES
PARTS MANUAL
MANUAL DE RECAMBIOS



2012

CADRE / FRAME / CHASIS

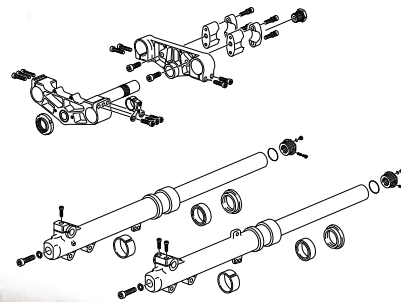
1



PAG. 6

FOURCHE / FORK / HORQUILLA

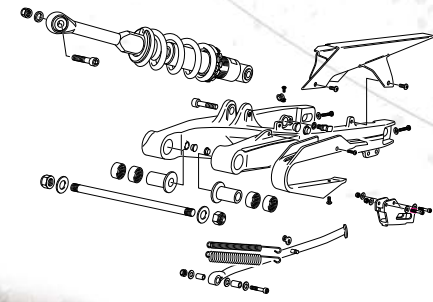
2



PAG. 10

AMORTISSEUR - BRAS OSCILLANT / REAR SHOCK - SWINGARM / AMORTIGUADOR - BASCULANTE

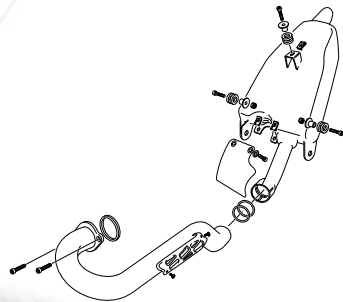
3



PAG. 12

ECHAPPEMENT / EXHAUST / ESCAPE

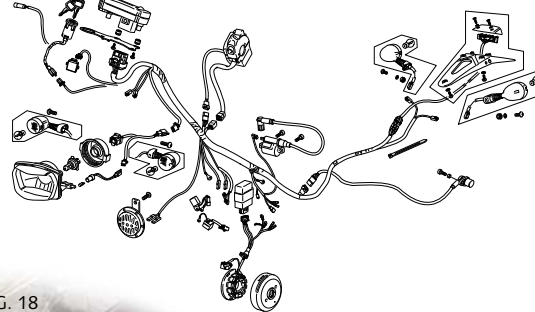
4



PAG. 16

FAISCEAU ELECTRIQUE / ELECTRICAL SYSTEM / SISTEMA ELÉCTRICO

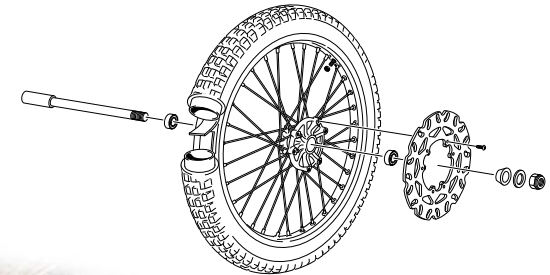
5



PAG. 18

ROUE AVANT / FRONT WHEEL / RUEDA DELANTERA

6



PAG. 20

ROUE ARRIERE / REAR WHEEL / RUEDA TRASERA

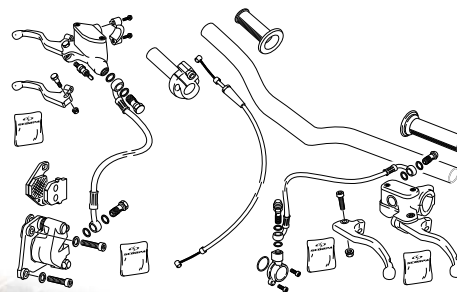
7



PAG. 22

GUIDON / HANDLEBAR / MANILLAR

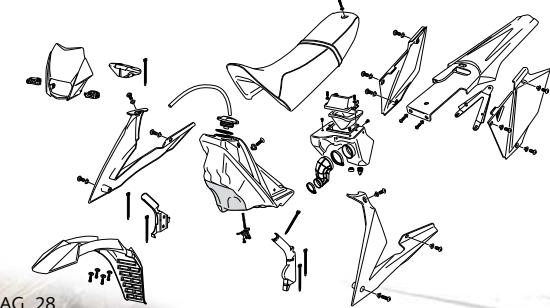
8



PAG. 26

GUIDON / HANDLEBAR / MANILLAR

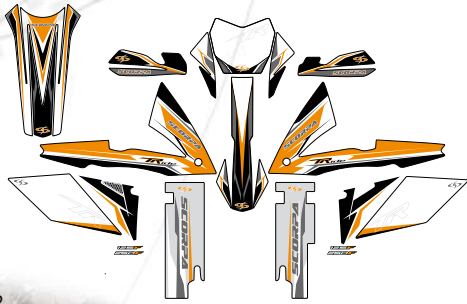
9



PAG. 28

ADHESIFS / STIKERS / ADHESIVOS

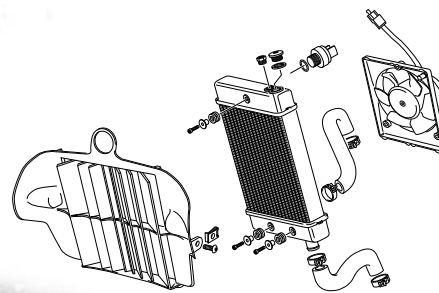
10



PAG. 32

RADIATEUR / RADIATOR / RADIADOR

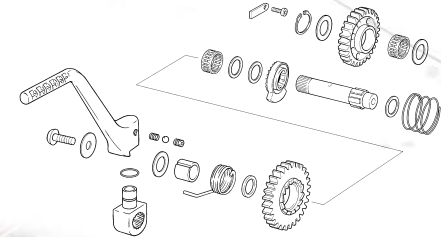
11



PAG. 34

LANCEUR / KICKSTARTER ASSEMBLY / PEDAL ARRANQUE

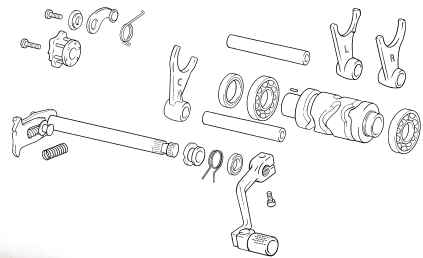
12



PAG. 36

SELECTEUR / GEAR SELECTOR GROUP / SELECTOR CAMBIO

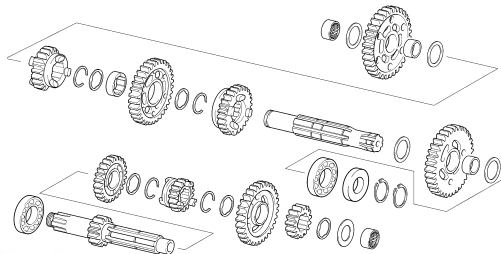
13



PAG. 38

BOITE A VITESSES / GEAR SET / CAMBIO

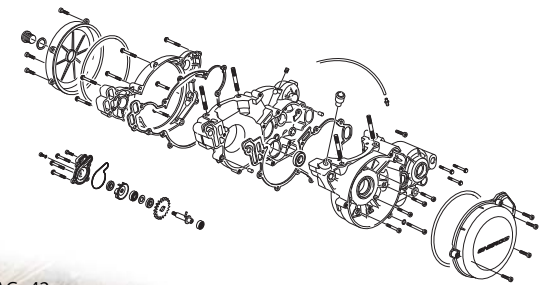
14



PAG. 40

GRUPE CARTERS / CRANKCASE ASSEMBLY / GRUPO CARTERS

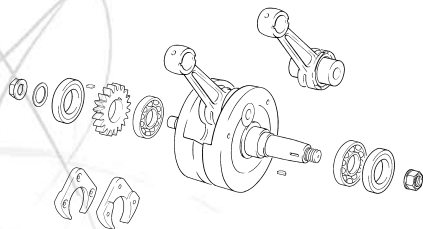
15



PAG. 42

VILLEBREQUIN ASSEMBLE / CRANKSHAFT ASSEMBLY / CIGÜEÑAL BIELA

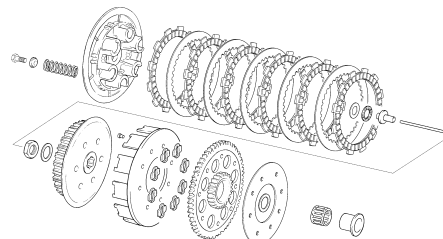
16



PAG. 46

EMBAYAGE / CLUTCH / EMBRAGUE

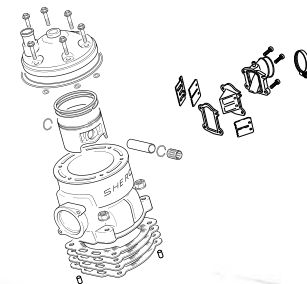
17



PAG. 48

CYLINDRE / CYLINDER / CILINDRO

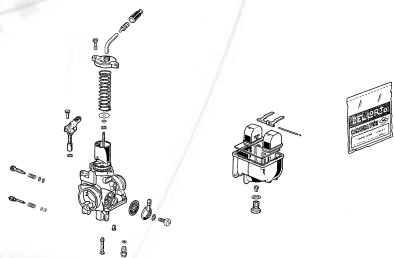
18



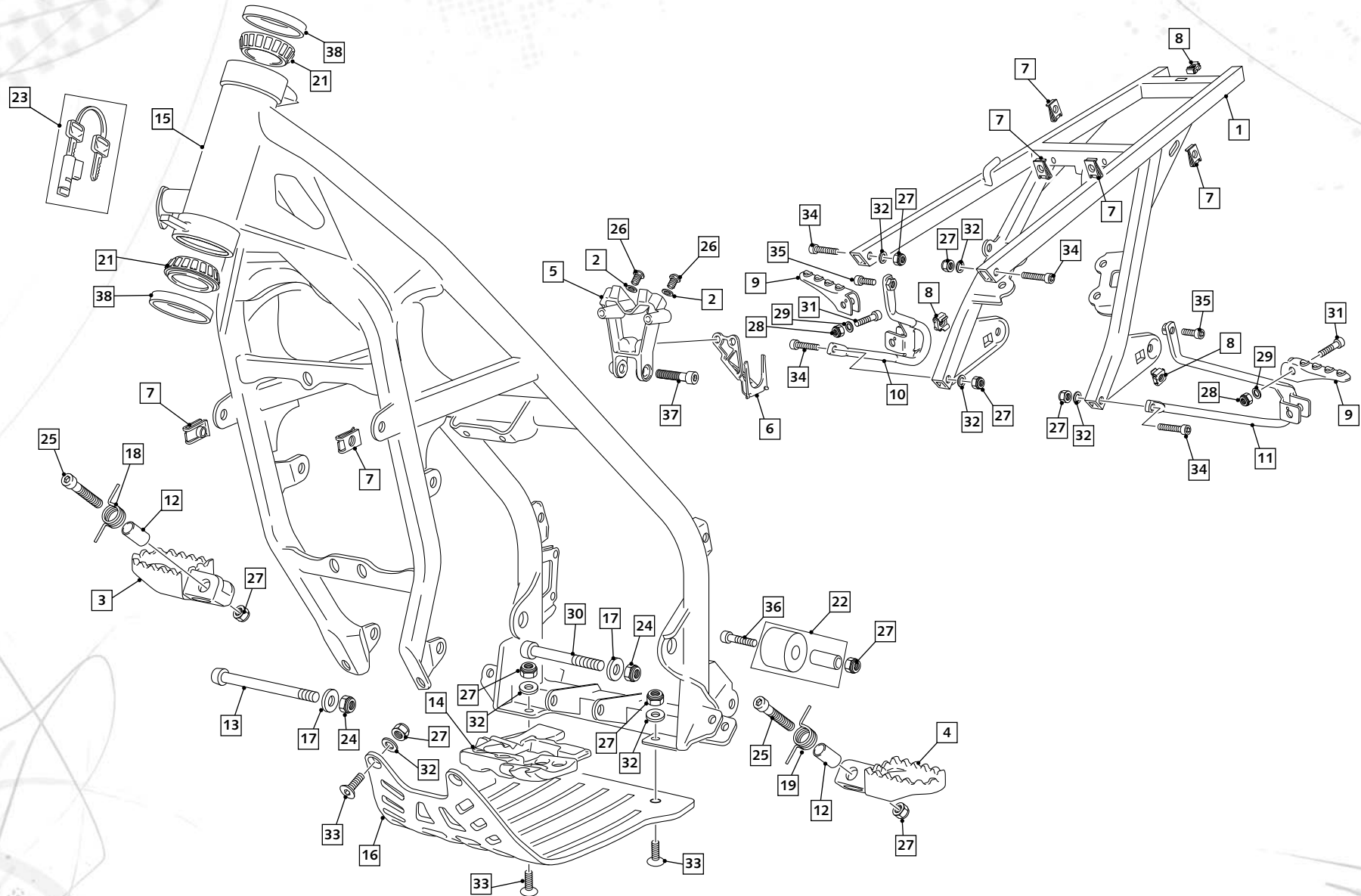
PAG. 50

CARBURATEUR / CARBURETOR / CARBURADOR

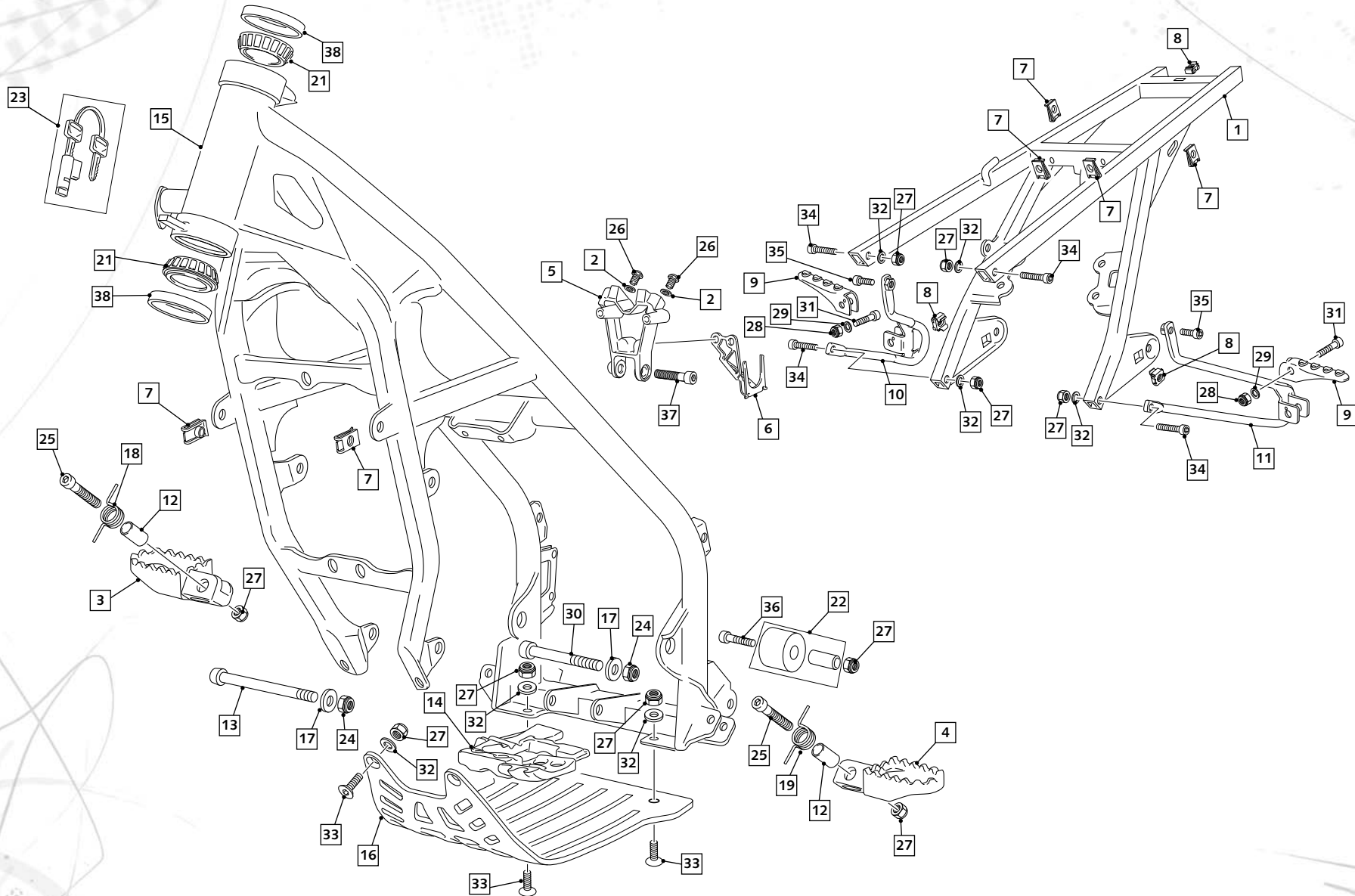
19

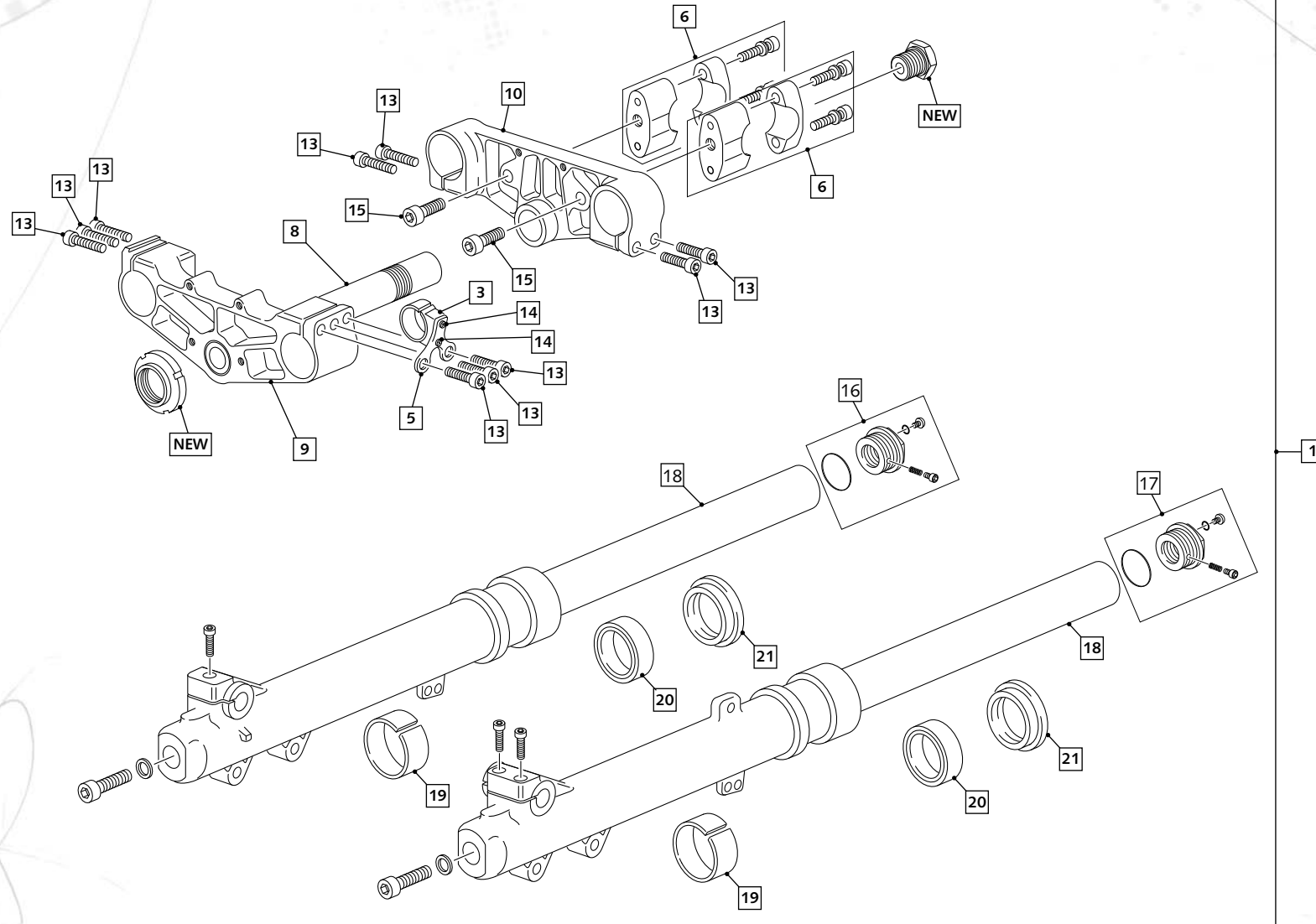


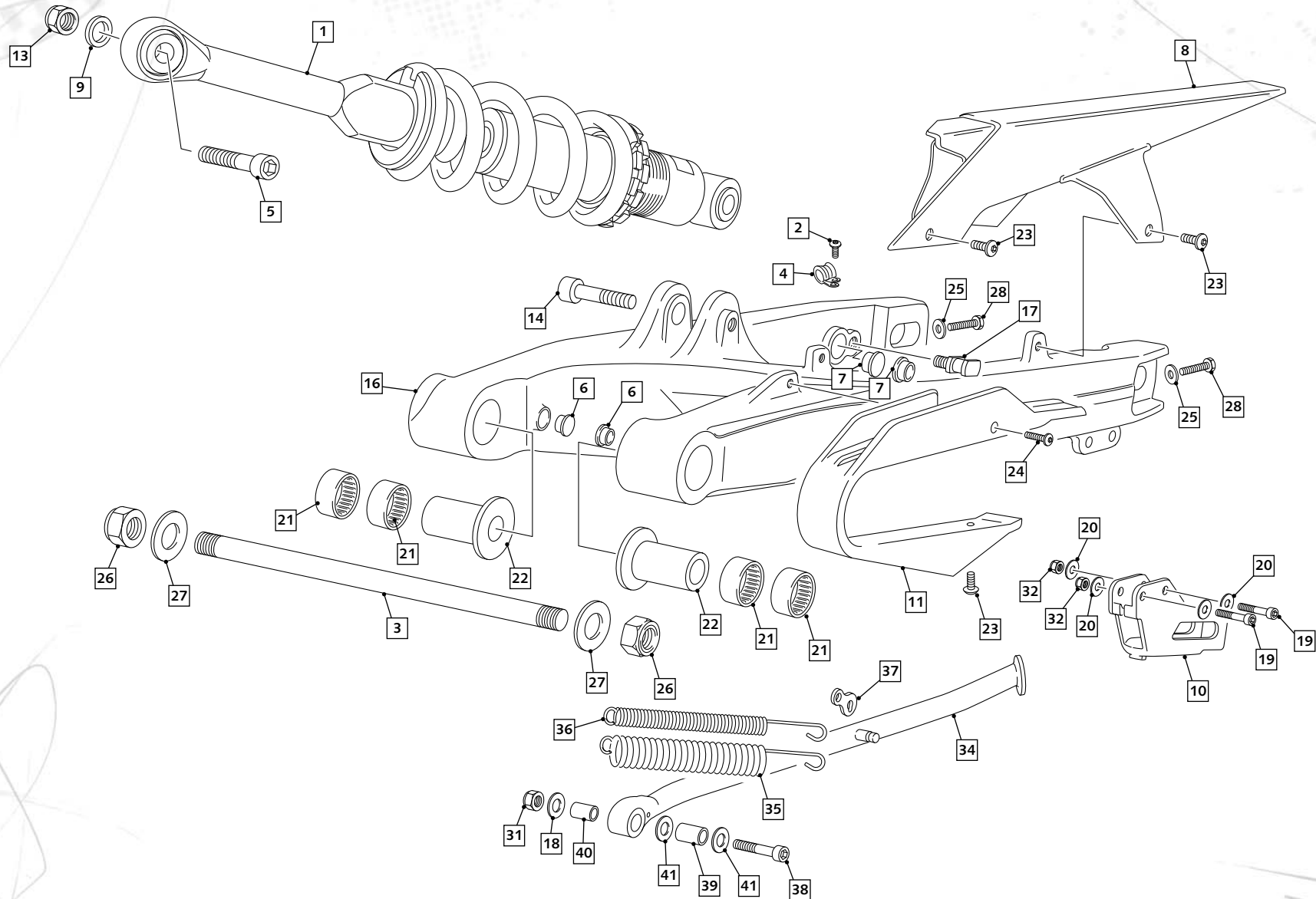
PAG. 52



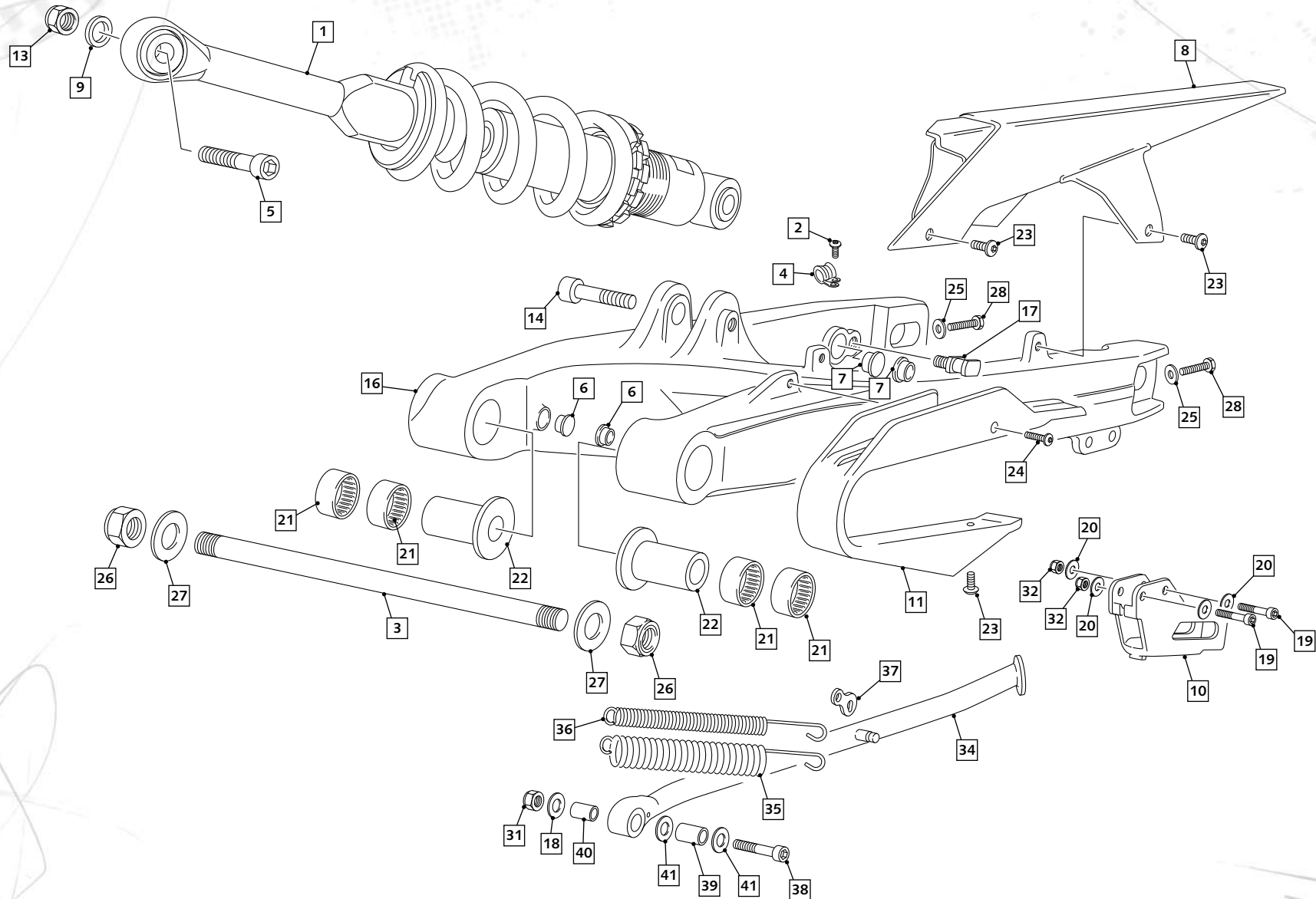
POS.	1.2	2.8	FRANÇAIS	ENGLISH	ESPAÑOL
1	2414	2414	BOUCLE AR NOIRE TRIDE 2008	REAR BLACK SUB FRAME TRIDE 2008	SOPORTE CHASIS NEGRO TRIDE 2008
2	1432	1432	RONDELLE AET 8	WASHER X AET 8	ARANDELA AET 8
3	2015	2015	REPOSE PIED DROITE 09 TR	RIGHT FOOTPEG 09 TR	ESTRIBERA DERECHA 09 TR
4	2016	2016	REPOSE PIED GAUCHE 09 TR	LEFT FOOTPEG 09 TR	ESTRIBERA IZQUIERDA 09 TR
5	2251	2251	PATE FIXATION CYLINDRE 2.5/2.9 2010	CLINDER SUPPORT 2.5/2.9 2010	TIRANTE CILINDRO 2.5/2.9 2010
6	4482	4482	SUPPORT CDI T-RIDE 2012	HOLDER CDI T-RIDE 2012	SOPORTE CDI T-RIDE 2012
7	M308	M308	ECROU CLIP M6 0500500400	NUT CLIP M6	TUERCA CLIP M6
8	4368	4368	ECROU ENCAGE M6	NUT M6 SPECIAL	TUERCA ENJAULADA M6
9	2706	2706	REPOSE PIEDS PASSAGER TRIDE	PASANGER FOOTPEG	ESTRIBERA PASAJEROS
10	2716	2716	SUPPORT REPOSE PIED PASSAGER DROIT T/X RIDE	FODPEGS PASANGER SUPPORT RIGTH T/X RIDE	SOPORTE ESTRIBO PASAJERO DERECHO T/X RIDE
11	2717	2717	SUPPORT REPOSE PIED PASSAGER GAUCHE T/X RIDE	FODPEGS PASANGER SUPPORT LEFT T/X RIDE	SOPORTE ESTRIBO PASAJERO IZQUIERDO T/X RIDE
12	2867	2867	ENTRETOISE REPOSE PIED LONG 2010	SPACER FOOT PEG LONG 2010	CASQUILLO ESTRIBERA LARGO 2010
13	M296	M296	AXE MOTEUR AV	FRONT PIN ENGINE	TORNILLO MOTOR
14	3155	3155	CAOUTCHOUC MOTEUR 2011	BASH PLATE RUBBER 2011	CAUCHO PLACA MOTOR 2011
15	4183	4183	CADRE TRIDE 2T	FRAME TRIDE 2T	BASTIDOR TRIDE 2T
16	4270	4270	SABOT T/X RIDE	BASH PLATE T/X RIDE	PROTECTOR CARTERS T/X RIDE
17	M315	M315	RONDELLE X 10 1405 010	WASHER X 10	ARANDELA X 10 DIN 125 A
18	C008	C008	RESSORT REPOSE PIED DROITE	RIGHT FOOTPEG SPRING	MUELLE ESTRIBERA DERECHA
19	C012	C012	RESSORT DE REPOSE PIED GAUCHE	LEFT FOOT PEG SPRING	MUELLE ESTRIBERA IZQUIERDA
21	H006	H006	RLT COLONNE 32005	STEERING MAIN BEARING 32005	COJINETE DIRECCION 32005
22	H069	H069	ROULETTE CHAINE PETITE	SMALL CHAIN ROLLER	PATIN RODAMIENTO CADENA PEQUEÑA
23	H173	H173	ANTIVOL DIRECTION END 50	STEERING LOCK ENDURO 50	ANTIROBO DIRECCION END 50
24	M304	M304	ECROU NYLSTOP M10 0368.10	NUT NYLSTOP M10	TUERCA NYLSTOP M10
25	M264	M264	VIS CHC 8 X 45 0084	SCREW CHC 8 X 45	TORNILLO 8 X 45 ALLEN
26	M281	M281	VIS BHC 8 X 12 1093	SCREW BHC 8 X 12	TORNILLO 8 X 12 ULS
27	M305	M305	ECROU NYLSTOP M8 0368.8	NUT NYLSTOP M8	TUERCA NYLSTOP M8
28	M306	M306	ECROU NYLSTOP M6 0368.6	NUT NYLSTOP M6	TUERCA NYLSTOP M6
29	M317	M317	RONDELLE 6 X12 0407 6	WASHER X 6	ARANDELA 6 DIN 125 A
30	1323	1323	VIS CHC M10 X 85	SCREW CHC M10 X 85	TORNILLO CHC M10 X 85
31	M343	M343	VIS BHC 6 X 35 1093	SCREW BHC 6 X 35 1093	TORNILLO BHC 6 X 35 1093
32	M316	M316	RONDELLE X 8 1405 08	WASHER X 8	ARANDELA 8 DIN 125 A
33	M301	M301	VIS FHC 8 X 20 1089	SCREW FHC 8 X 20	TORNILLO AVELLANADO M 8 X 20

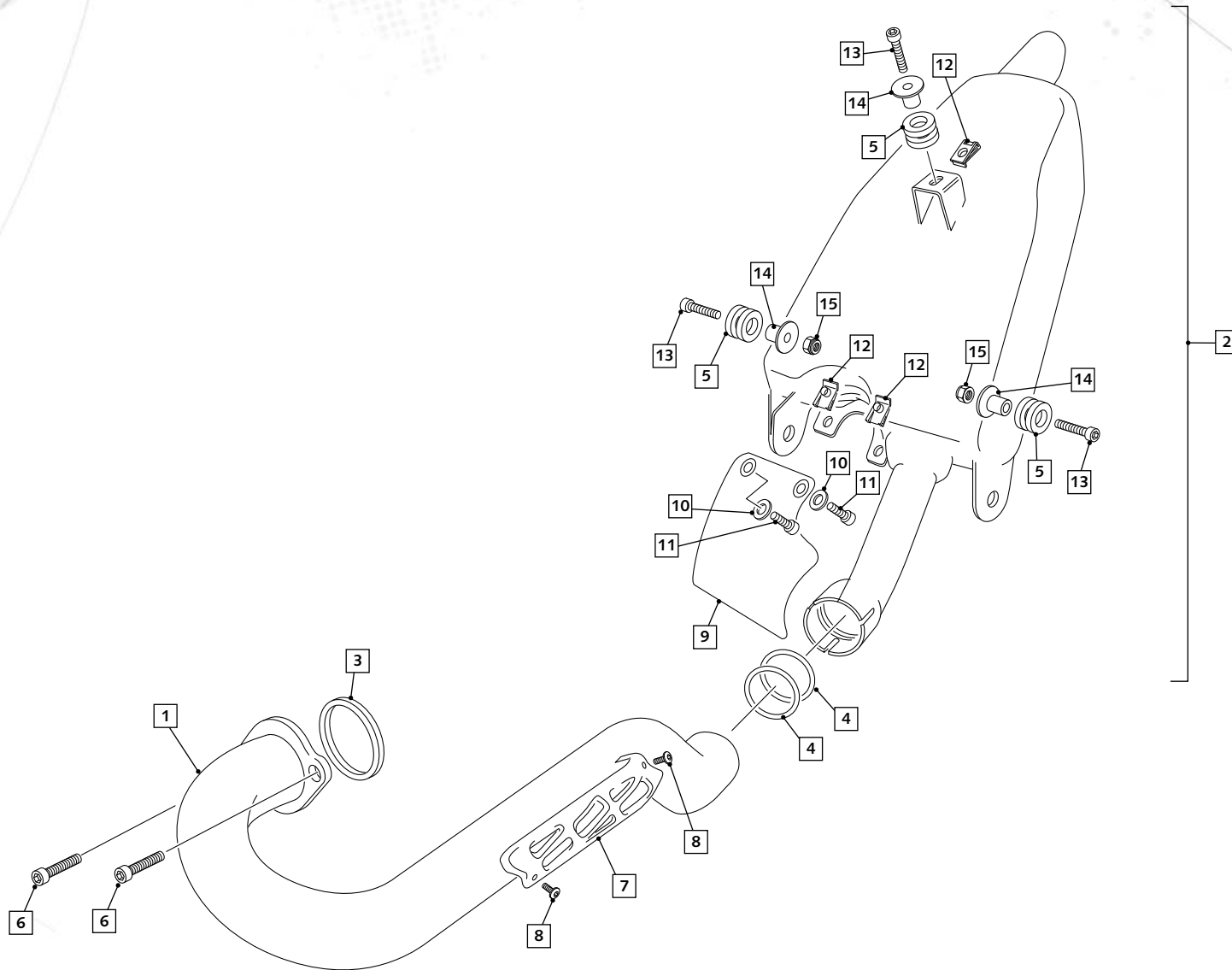


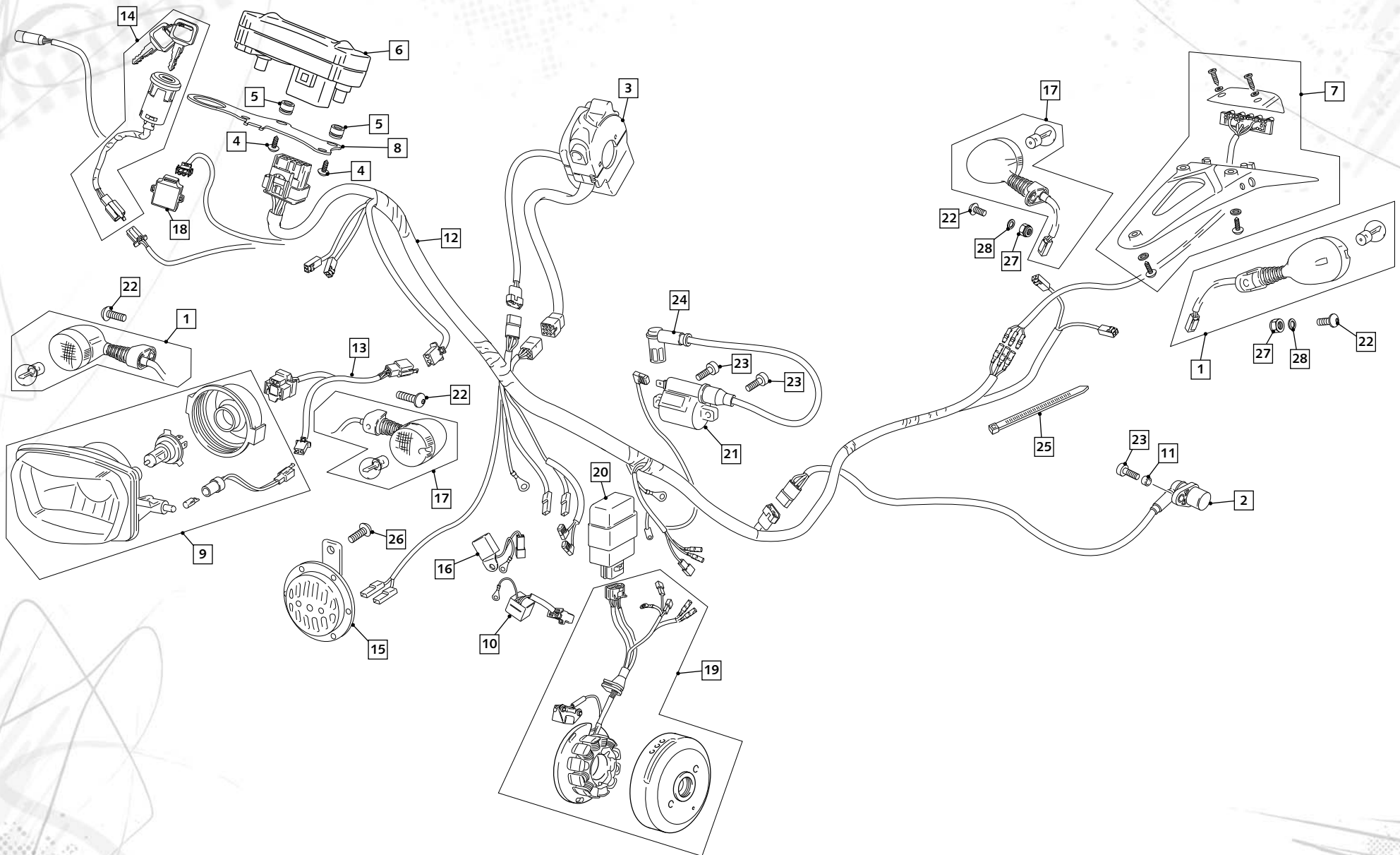




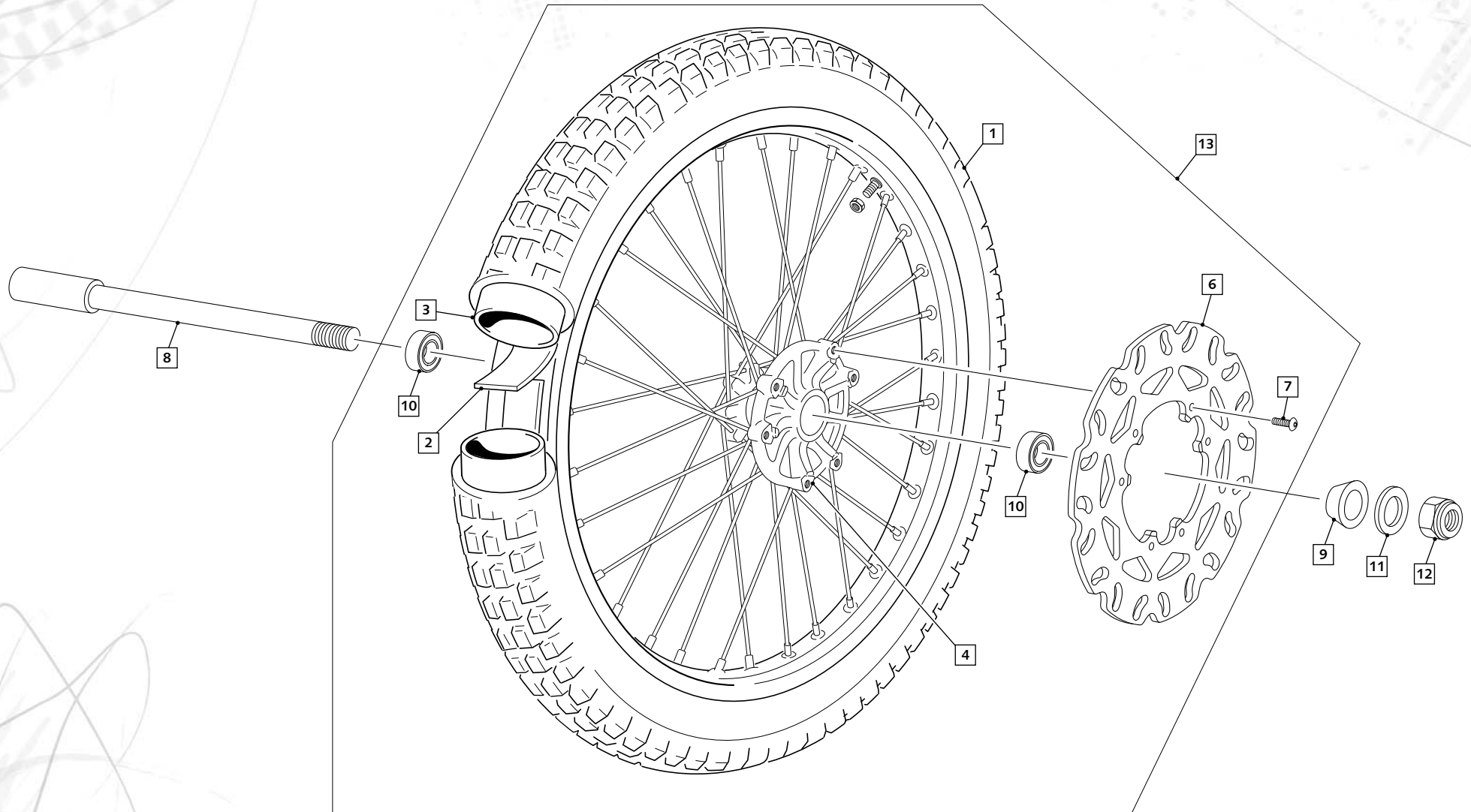
POS.	1.2	2.8	FRANÇAIS	ENGLISH	ESPAÑOL
1	2397	2397	AMORTISSEUR TRIDE 2008	SHOCK ABSORBER TRIDE 2008	AMORTIGUADOR TRIDE 2008
2	M278	M278	VIS BHC 5 X10 1093	SCREW BHC 5X10	TORNILLO 5 X 10 ULS
3	4271	4271	AXE BRAS OSCILLANT TRIDE	SWINGARM AXLE TRIDE	EJE BASCULANTE TRIDE
4	1083	1083	COLLIER DURITE NORMA	COLLARD	ABARAZADERA MANGUITOS
5	C173	C173	AXE 10 X 42	PIN 10 X 42	EJE 10 X 42
6	2412	2412	BOUCHON SABLAGE	CUP	TAPON ARENADO
7	2413	2413	BOUCHON SABLAGE DIAM 20	CUP Ø20	TAPON ARENADO DIAM 20
8	2424	2424	CARTER DE CHAINE TRIDE	CHAIN PROTECTOR TRIDE	CUBRECADENAS TRIDE
9	M315	M315	RONDELLE X 10 1405 010	WASHER X 10	ARANDELA X 10 DIN 125 A
10	2483	2483	GUIDE CHAINE TRIDE	CHAIN GUIDE TRIDE	GUIA CADENA TRIDE
11	2505	2505	PATIN DE CHAINE TRIDE	CHAIN GUIDE TRIDE	PATIN CADENA TRIDE
13	M304	M304	ECROU NYLSTOP M10 0368.10	NUT NYLSTOP M10	TUERCA NYLSTOP M10
14	2564	2564	VIS INFERIEURE AMORTISSEUR TRIDE (M10X40 RECTIF)	ECROU LOWER REAR SHOCK (M10X40)	TORNILLO INF AMOTIGUADOR TRIDE (M10X40 RECTIF)
16	4209	4209	BRAS OSCILLANT TRIDE 2T	SWING ARM TRIDE 2T	BASCULANTE TRIDE 2T
17	4210	4210	BUTEE ETRIER AR TRIDE 2T 2T	REAR CALIPER STOP TIRIDE 2T	TOPE FRENO TRASERO TIRIDE 2T
18	M316	M316	RONDELLE X 8 1405 08	WASHER X 8	ARANDELA 8 DIN 125 A
19	C411	C411	VIS CHC M6 X 40	SCREW CHC M6 X 40	TORNILLO CHC M6 X 40
20	M321	M321	RONDELLE 6 X 18 X 1.5 0411	WASHER 6 X 18	ARANDELA 6 X 18 DIN 9021
21	C151	C151	DOUILLE AIGUILLE BRAS HK 20X20X2 RS	BEARING HK 20X20X2RS	CASQUILLO AGUJAS BASCULANTE HK20X20X2RS
22	C153	C153	ENTRETOISE ARTICULATION BRAS	SPACER SWING ARM	CASQUILLO EJE BASCULANTE
23	3542	3542	VIS BHC 5 X 12	SCREW BHC 5 X 12	TORNILLO 5 X 12
24	4481	4481	VIS BHC 5 X35 DIN 7380 10.9	SCREW BHC 5 X35 DIN 7380 10.9	TORNILLO BHC 5 X35 DIN 7380 10.9
25	M272	M272	ECROU EMBASE X8 0692	COLLAR HEX NUT M8	TUERCA CON VALONA M8
26	C416	C416	ECROU NYLSTOP M14	NUT NYLSTOP M14	TUERCA NYLSTOP M14
27	C425	C425	RONDELLE M14	WASHER M14	ARANDELA M14
28	0462	0462	VIS TENDEUR DE CHAINE END 450	TENSOR CHAIN SCREW END 450	TORNILLO TENSOR CADENA END 450
31	M305	M305	ECROU NYLSTOP M8 0368.8	NUT NYLSTOP M8	TUERCA NYLSTOP M8
32	M309	M309	ECROU STANDARD M6 0317	NUT M6	TUERCA M6
34	2407	2407	BEQUILLE TRIDE	LATERAL STAND	CABALLETE TRIDE
35	2528	2528	RESSORT BEQUILLE SECONDAIRE TRIDE	SPRING LATERAL STAND SECOND TRIDE	MUELLE CABALLETE SECUNDARIO TRIDE
36	2529	2529	RESSORT BEQUILLE TRIDE	SPRING LATERAL STAND	MUELLE CABALLETE TRIDE
37	3087	3087	PLAQUE MAINTIEN RESSORT BEQUILLE END 2012	FIXATION SIDE STAND PLATE END 2012	PLACA FIJACION CABALLETE END 2012

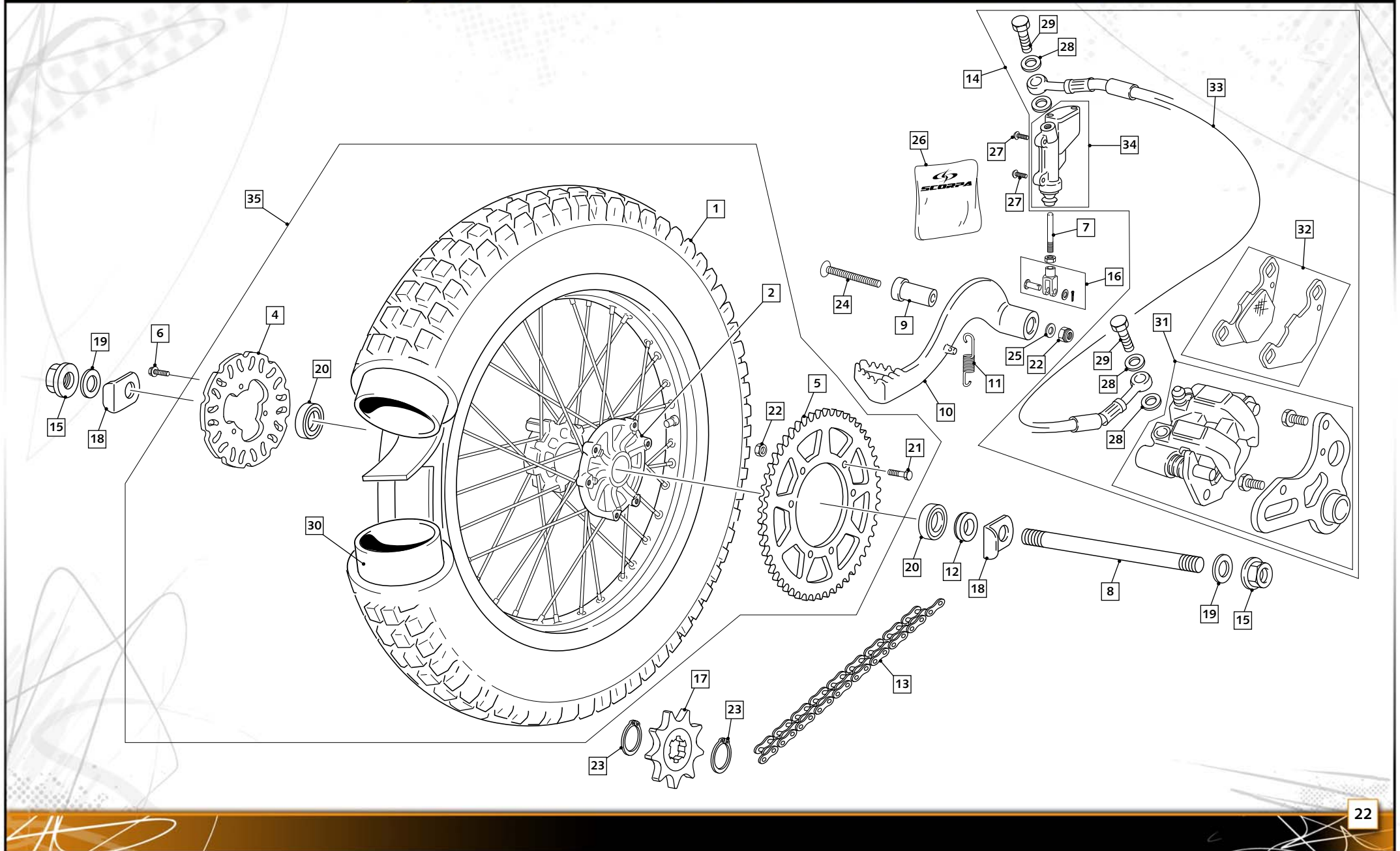




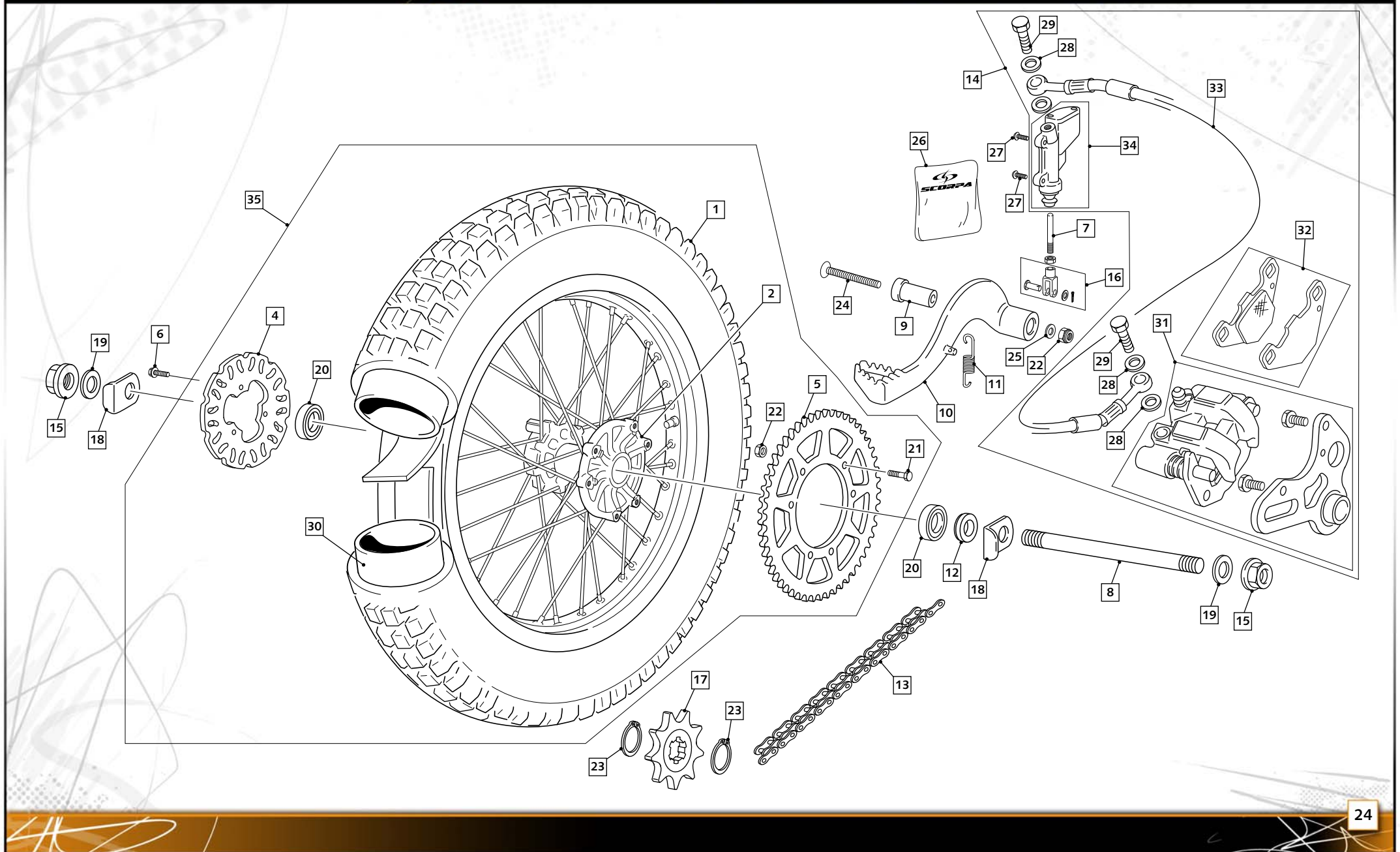


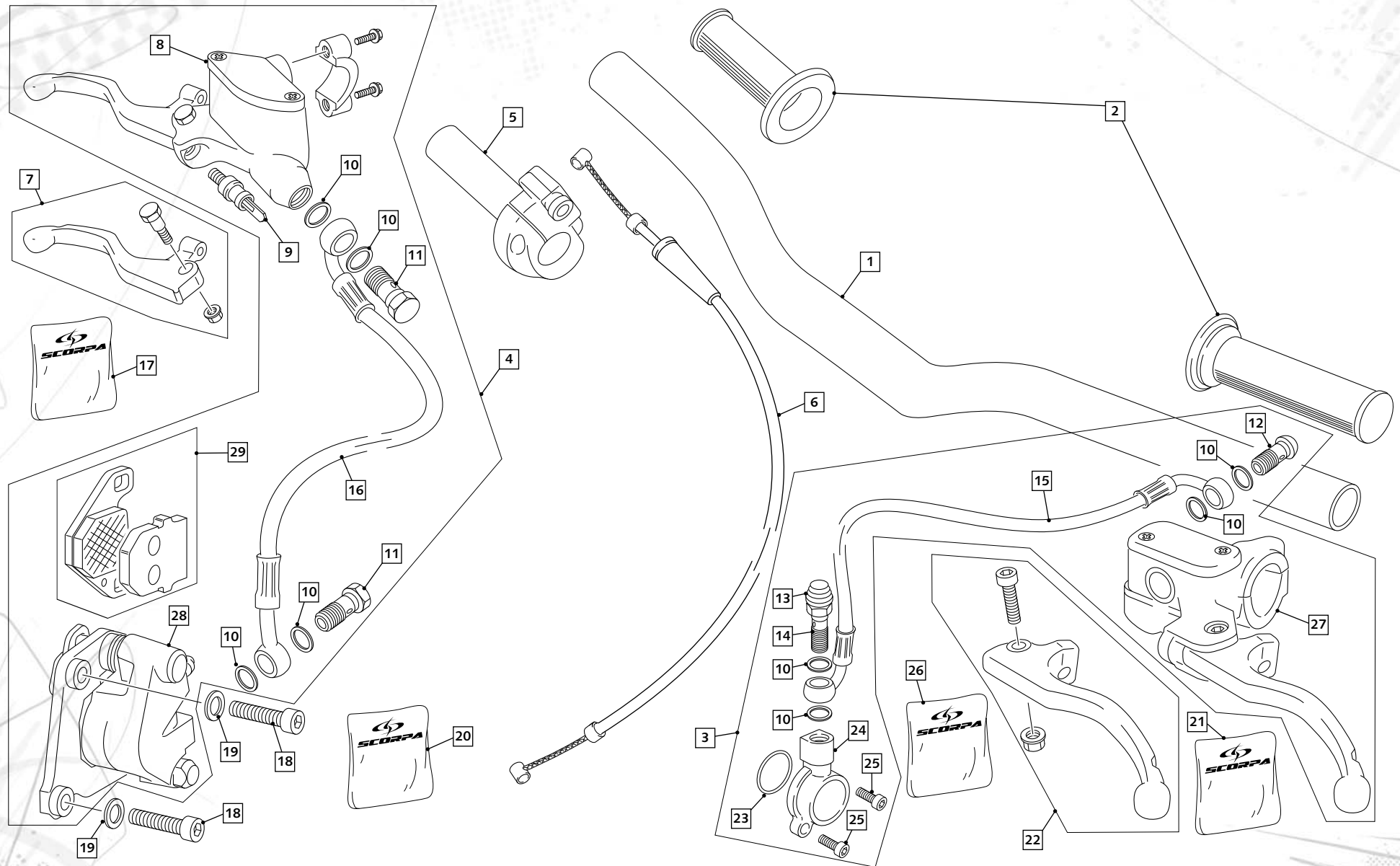
POS.	1.2	2.8	FRANÇAIS	ENGLISH	ESPAÑOL
1	S233	S233	CLIGNO	LEFT TRAFFICATOR	INTERMITENTE IZQUIERDO
2	0372	0372	CABLE COMPTEUR END 450	CABLE SPEEDOMETER END 450	CABLE VELOCIMETRO END 450
3	0413	0413	COMMODE GAUCHE END 450	SWITCH LEFT END 450	COMODO ELECTRIC END 450
4	0576	0576	VIS AUTO FIL 4.9 X 13 LONG	SCREW AUTO THREADING 4.9 X 13 L	TORNILLO AUTORROSCANTE 4.9 X 13 L
5	0582	0582	SILENBLOC COMPTEUR END 450	SILENBLOC COMPTEUR END 450	SILENBLOC COMPTEUR END 450
6	1723	1723	COMPTEUR DE VITESSE END MLC	SPEEDOMETER END MLC	VELOCIMETRO END MLC
7	1763	1763	FEU AR END 450 RACING	RACING REAR LIGHT END 450	RACING FARO TRAS END 450
8	2384	2384	SUPPORT COMPTEUR MLC 37MM END 50/125 CONTACT. CLIP	SPEEDO METER HOLDER MLC 37MM END 50/125 CONTACT. C	SUPPORTE VELOCIMETRO MLC 37MM END 50/125 CONTACT.
9	2710	2710	OPTIQUE TRIDE	FRONT LIGHT OPTICAL T RIDE	OPTICA Y BULBO TRIDE
10	2825	2825	DIODE REDRESSEUSE VENTILATEUR COMEX 2010	DIODE COMEX 2010	RECTIFICADOR VENTILADOR COMEX 2010
11	3680	3680	ENTRETOISE CAPTEUR ETRIER J.JUAN	BUSH SPEED SENSOR J.JUAN	CASQUILLO CAPTADOR J.JUAN
12	4277	4277	FAISEAU ELEC T/X RIDE	INTALATION T/X RIDE	INSTALACION ELEC T/X RIDE
13	4278	4278	FAISEAU ELEC PLAQUE PHARE T RIDE	INTALATION HEAD LIGHT T RIDE	INSTALACION ELEC PLACA FARO T RIDE
14	4328	4328	BLOC CLE DEMARRAGE T-RIDE/ X-RIDE	BLOC KEY STARTER T-RIDE/ X-RIDE	BLOC LLAVE ARRANQUE T-RIDE/ X-RIDE
15	H165	H165	KLAXON 50	CLAXON 50	CLAXON 50
16	M182	M182	REGULATEUR LEONELLI	REGULATOR	REGULADOR
17	S234	S234	CLIGNO	RIGHT TRAFICATTOR	INTERMITTENTE DERECHO
18	S289	S289	CENTRALE CLIGNO HOMOLOGATION CEE	INDICATION LIGHT CENTRAL CEE	CENTRAL INT/GOMA/SOP MET/ETC 10+10 CEE
19	3579	3579	ALLUMAGE CPL HI DIGITAL 2T 12P	INGNITION CPL HI DIGITAL 2T 12P	ENCENDIDO COMPLETO HI DIGITAL 2T 12P
20	3580	3580	CDI HI TRIAL DOUBLE COURBE 2T 2012	CDI BOX HI TRIAL DOUBLE CURVE 2T 2012	CDI HI TRIAL DOBLE CURVA 2T 2012
21	3581	3581	BOBINE HI TRIAL 2T 2012	IGNITION COIL TRIAL 2T2012	BOBINA HI TRIAL 2T 2012
22	M283	M283	VIS BHC 6 X 16 1093 ZI BL	SCREW BHC 6 X 16	TORNILLO 6 X 16 ULS CIN BLA
23	M251	M251	VIS CHC 6 X 16 0084	SCREW CHC 6 X 16	TORNILLO 6 X 16 DIN 912
24	M184	M184	ANTIPARASITE MTA RESISTIVE 5 OHMS	SPARK PLUG CAP MTA RESISTIF 5 OHMS	PIPA BUJIA MTA RESISTIVA 5 OHMS
25	M331	M331	COLLIER RISLAN 100 X 2.5	COLLIER 100 X 2.5	ABRAZADERA 100X 2.5
27	M306	M306	ECROU NYLSTOP M6 0368.6	NUT NYLSTOP M6	TUERCA NYLSTOP M6
28	M317	M317	RONDELLE 6 X12 0407 6	WASHER X 6	ARANDELA 6 DIN 125 A



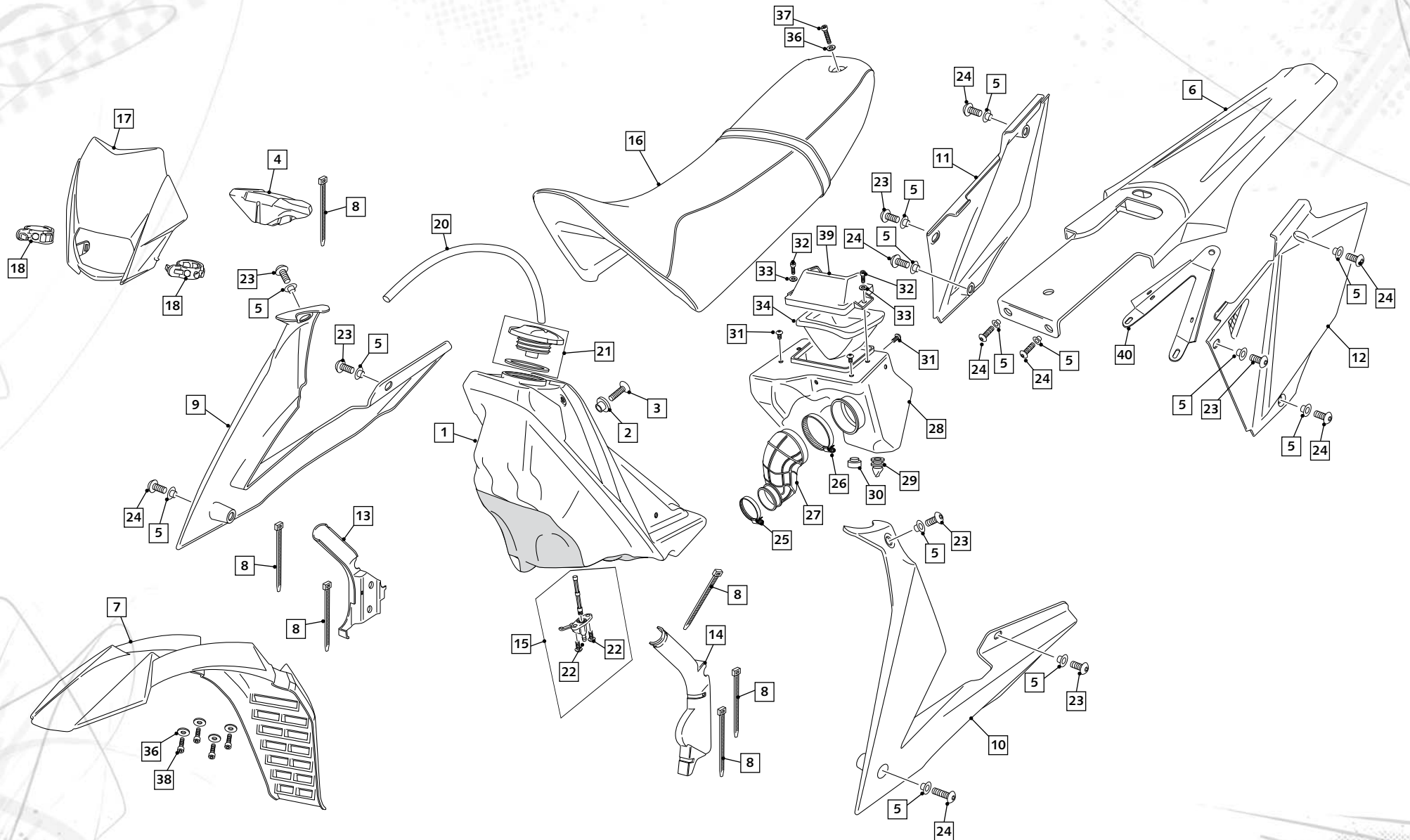


POS.	1.2	2.8	FRANÇAIS	ENGLISH	ESPAÑOL
1	4351	4351	PNEU ARRIERE 400X18 T-RIDE	REAR TYRE 400 X 18 T-RIDE	NEUMATICO 400 X 18 T-RIDE
2	H423	H423	MOYEU ARRIERE 50 06	REAR HUB 50 06	BUJE TRASERO 50 06
4	1735	1735	DISQUE FREIN AR WAVE 50/125	BRAKE DISK REAR WAVE 50/125	DISCO FRENO TRAS WAVE 50/125
5	4273	4273	COURONNE 38 DENTS TRIDE	REAR SPROKET 38T TRIDE	CORONA 38 DIENTES TRIDE
6	C452	C452	VIS HEXAGONAL EPAULE M6 X 18	SCREW EXAGONAL M6 X 18	TORNILLO EXAGONAL M6 X 18
7	2399	2399	TIGE PEDALE DE FREIN T/X RIDE	AXLE REAR BRAKE T/X RIDE	EJE PEDAL DE FRENO T/X RIDE
8	2400	2400	AXE ROUE AR TRIDE	REAR WHEEL AXEL TRIDE	EJE RUEDA TRASERA TRIDE
9	2468	2468	ENTRETOISE PEDALE DE FREIN TRIDE	BRAKE PEDAL SPACER TRIDE	CASQUILLO PEDAL FRENO
10	2506	2506	PEDALE DE FREIN TRIDE	REAR BRAKE PEDAL TRIDE	PEDAL DE FRENO TRASERO TRIDE
11	2530	2530	RESSORT PEDALE DE FREIN TRIDE	SPRING BREAK FOOT LEVER TRIDE	MUELLE PEDAL DE FRENO TRIDE
12	4211	4211	ENTRETOISE ROUE AR GA TRIDE 2T	REAR BRUSH LEFT TRIDE 2T	SEPARADOR RUEDA TRAS IZQ TRIDE 2T
13	4311	4311	CHAINE 104M T-X RIDE	CHAIN 104Z T-X RIDE	CADENA 104 PASOS T-X RIDE
14	4490	4490	GROUPE FREIN ARR CPL T-RIDE	REAR BRAKE GROUP T-RIDE	CONJUNTO FRENO TRASERO T-RIDE
15	C253	C253	ECROU ROUE ARRIERE	REAR AXLE NUT	TUERCA EJE RUEDA TRASERA
16	C259	C259	CHAPE PEDALE FREIN 0267	REAR BRAKE ROD	HORQUILLA PEDAL DE FRENO
17	C267	C268	PIGNON 10 D	SPOCKET 10T	PINON SALIDA 10 Z
18	H410	H410	TOLE TENSION CHAINE 50/125 06	CHAIN TENSIONER 50/125 06	CHAPA TENSION CADENA 50/125 06
19	C426	C426	RONDELLE M16	WASHER M16	ARANDELA M16
20	R362	R362	ROULEMENT MOYEU AR 50 END 6003 2NSL C3 (VOIR 0874)	BEARING REAR HUB 50 END	COJINET BUJE TRA 50 END 6003 2NSL C3
21	C420	C420	VIS HEXAG 8 X 30	SCREW 8 X 30	TORNILLO 8 X 30
22	M305	M305	ECROU NYLSTOP M8 0368.8	NUT NYLSTOP M8	TUERCA NYLSTOP M8
23	M350	M350	SEGMENT ARRET WR 20 SORTIE BOITE	SEGMENT ARRET WR 20	SEGMENT ARRET WR 20
24	3011	3011	VIS FHC M8X55 ZI	VIS FHC M8X55 ZI	VIS FHC M8X55 ZI
25	M316	M316	RONDELLE X 8 1405 08	WASHER X 8	ARANDELA 8 DIN 125 A
26	1156	1156	KIT REPARATION MAITRE CYLINDRE AR 50-125 06	KIT REPAIR REAR MASTER CYLINDER 50-125 06	KIT REPARACION BOMBA TRAS 50-125 06
27	M283	M283	VIS BHC 6 X 16 1093 ZI BL	SCREW BHC 6 X 16	TORNILLO 6 X 16 ULS CIN BLA
28	R074	R074	RONDELLE BANJO CUIVRE 10X14X1.5	WASHER COPPER 10X14X1.5	ARANDELLA BANJO COBRE 10X14X1.5
29	R059	R059	VIS RACCORD M10 X 21 HEXA	LINK SCREW M10 X 21 HEXA	TORNILLO RACORD M10 X 21 HEXA
30	2571	2571	CHAMBRE A AIR 400 X 18	TUBE 400 X 18	CÁMARA 400 X 18
31	4081	4081	ETRIER FREIN ARRIÈRE 50 JJUAN	REAR CALIPER 50 JJUAN	PINZA FRENO TRASERO 50 JJUAN
32	4084	4084	PLAQUETTES FREIN DEL./TRAS. 50	PAD BRAKE FRONT/REAR 50	JUEGO PASTILLAS FRENO DEL./TRAS. 50
33	4077	4077	DURITE FREIN ARRIÈRE JJUAN	REAR BRAKE HOSE JJUAN	LATIGUILLO FRENO TRASERO JJUAN

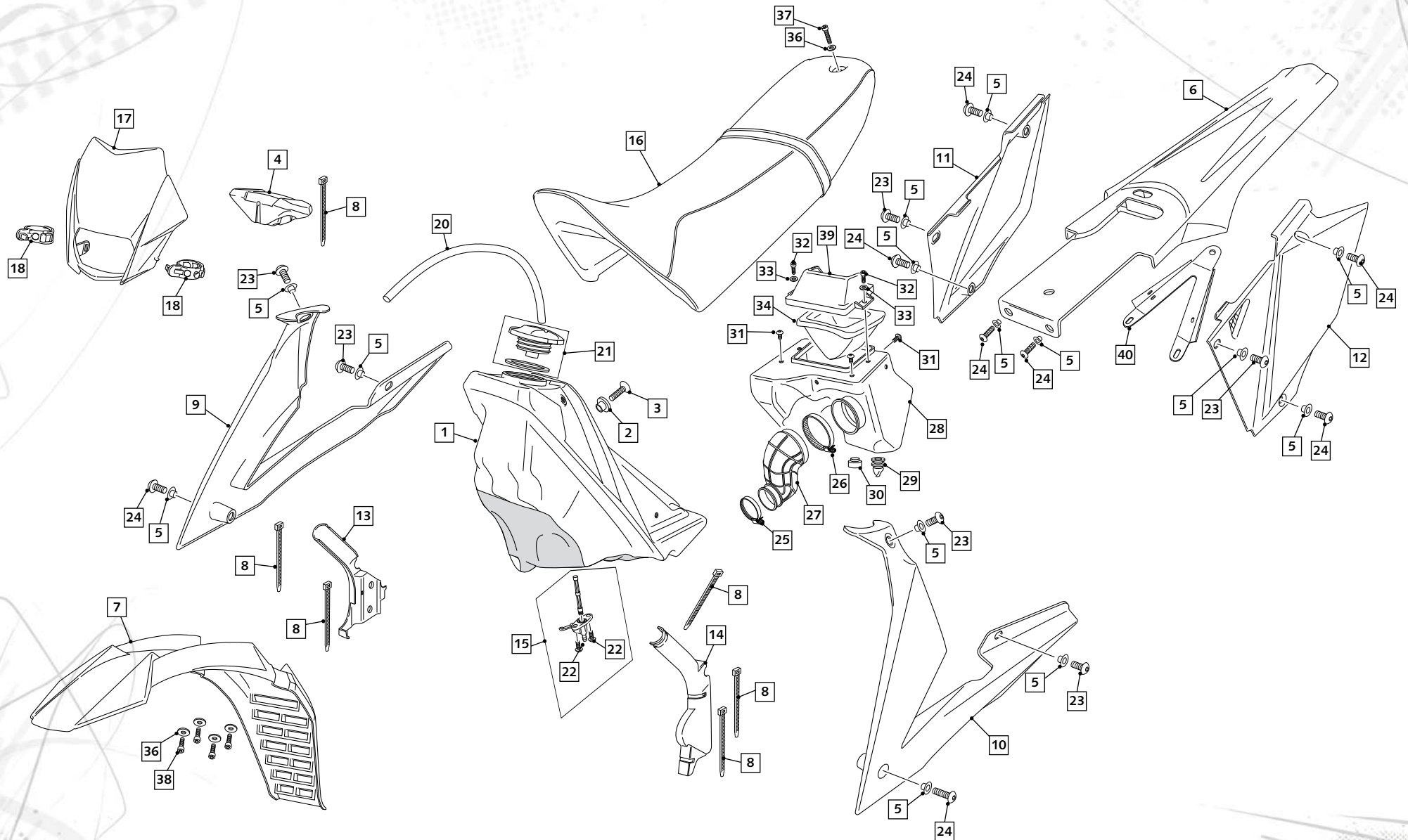


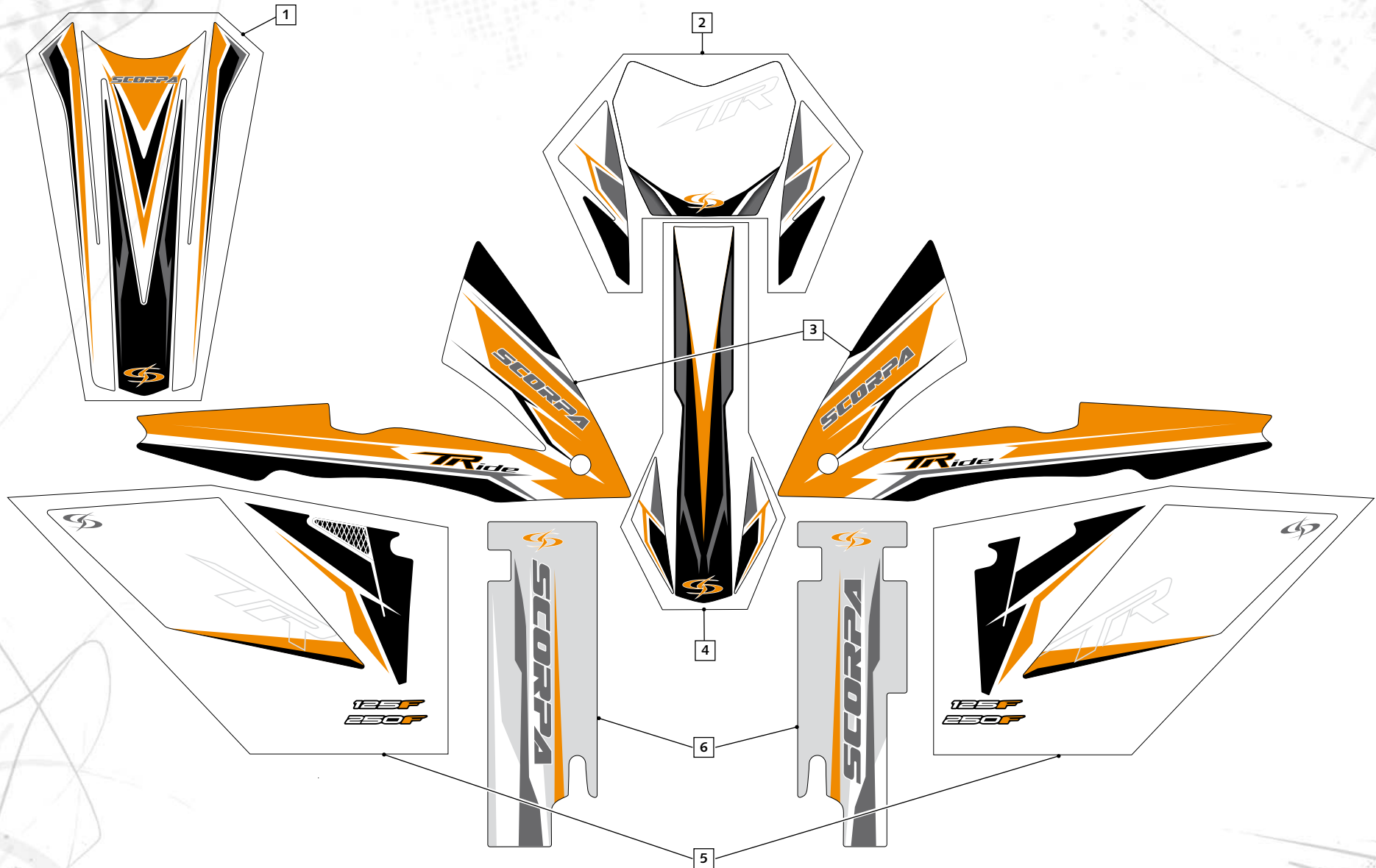


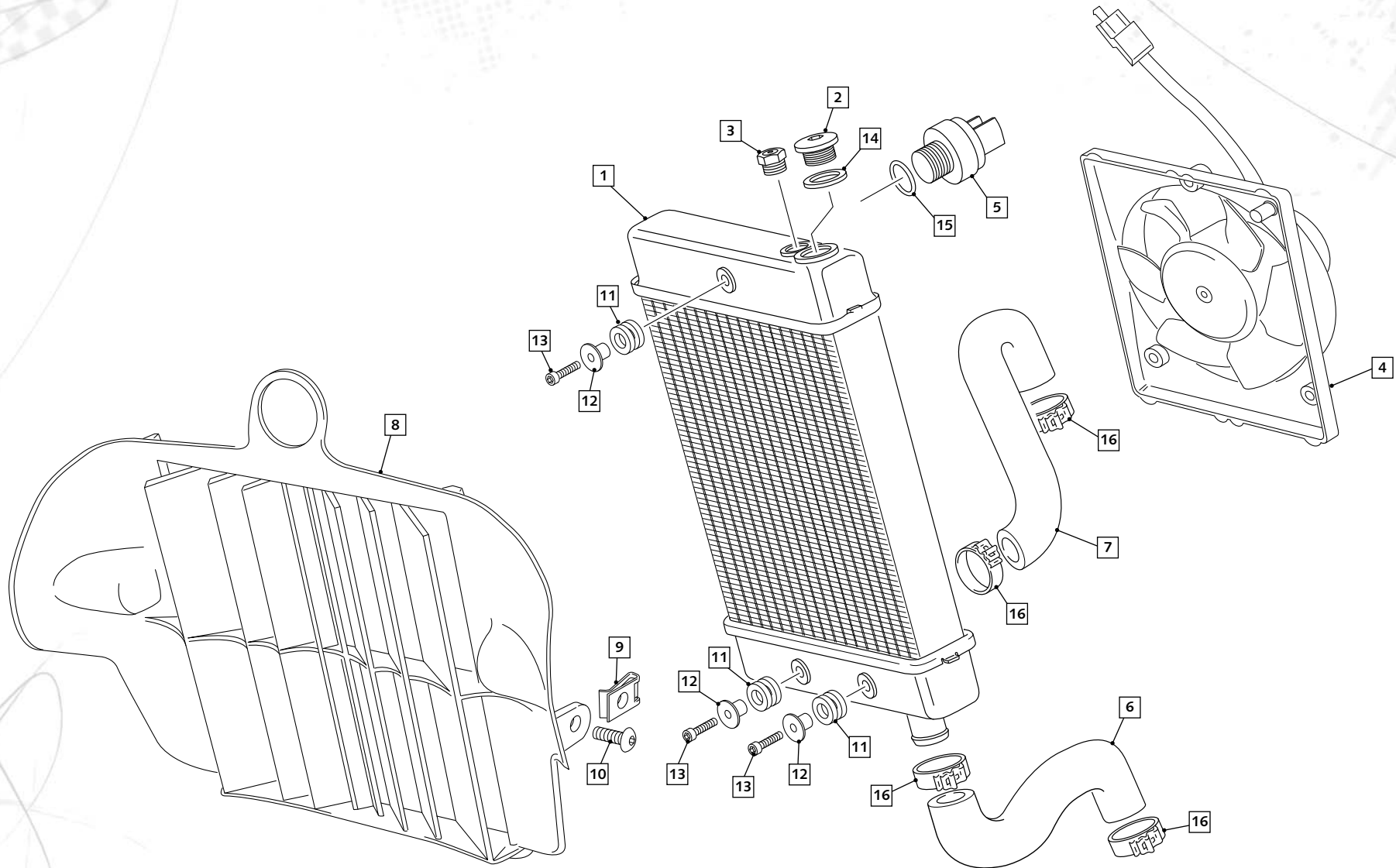
POS.	1.2	2.8	FRANÇAIS	ENGLISH	ESPAÑOL
1	2484	2484	GUIDON TRIDE	HANDLEBAR TRIDE	MANILLAR TRIDE
2	1662	1662	POIGNEE CAOUTCHOUC PAIRE REA	GRIPS SET REA	JUEGO EMPUNADURAS REA
3	3157	3157	GROUPE CPL EMB TR I I	COMPLETE CLUTCH SET TR I I	GRUPO EMBRAGUE COMPLETO TR I I
4	3613	3613	GROUPE FREIN AV CPL 50/125 12	FRONT BRAKE SISTEM 50/125 12	CONJUNTO FRENO DEL 50/125 12
5	C074	C074	COMMANDE DE GAZ	THROTTLE CONTROL	MANDO DE GAS
6	C076	C076	CABLE DE GAZ	THROTTLE CABLE	CABLE DE GAS
7	1188	1188	LEVIER FREIN 50 END GRIS	BRAKE LEVER 50 END GREY	MANETA FRENO 50 END ALUMINIO
8	4086	4086	MAITRE CYLINDRE AV 50 JJUAN	FRONT PUMP ASSY 50 JJUAN	BOMBA FRENO DEL 50 JJUAN
9	R354	R354	CONTACTEUR FREIN AV 50 END	FRONT BRAKE ELECTRIC CONTACT 50 END	INTERRUPTOR FRENO DEL 50 END
10	R074	R074	RONDELLE BANJO CUIVRE 10X14X1.5	WASHER COPPER 10X14X1.5	ARANDELLA BANJO COBRE 10X14X1.5
11	R059	R059	VIS RACCORD M10 X 21 HEXA	LINK SCREW M10 X 21 HEXA	TORNILLO RACORD M10 X 21 HEXA
12	R044	R044	VIS RACCORD POMPE FREIN/EMB M10X19 BHC	SCREW PUMP BRAKE/CLUTCH M10X19	RACORD BOMBA FRENO/EMB M10X19 ABOMBADO
13	R058	R058	CAPUCHON VIS DE PURGE	HOOD SCREW PURGE	TAPON SANGRADOR
14	3214	3214	RACCORD M8 AVEC PURGEUR	RACCORD M8 W PURGE	RACORD M8 CON PURGADOR
15	3211	3211	DURITE EMBRAYAGE WI	CLUTCH HOSE WI	LATIGUILLO EMBRAGUE WI
16	4085	4085	DURITE FREIN AV 50 JJUAN	BRAKE HOSE FRONT 50 JJUAN	LATIGUILLO FRENO DEL 50 JJUAN
17	4082	4082	KIT REP POMPE FREIN JJUAN	KIT REPAIR REAR MASTER CYLINDER JJUAN	KIT REP BOMBQ FRENO JJUAN
18	C414	C414	VIS CHC 8 X 35	SCREW CHC 8 X 35	TORNILLO CHC 8 X 35
19	M316	M316	RONDELLE X 8 1405 08	WASHER X 8	ARANDELA 8 DIN 125 A
20	4083	4083	KIT REPARATION ETRIER 50 JJUAN	KIT REPAI	KIT REPARACIÓN PINZA JJUAN
21	R053	R053	KIT REPARATION POMPE FREIN	KIT REPAIR MASTER CYLINDER CPL FRONT	KIT REPARACIÓN BOMBA DEL
22	R441	R441	LEVIER EMB SEUL POLI	FRONT CLUTCH LEVER POLISHING	MANETA EMB PULIDA
23	R024	R024	TORIQUE 35X31X2 EMB/CARTER	O-RING 35X31X2 (CLUTCH)	TORICA 35X31X2 EMBARGUE
24	3210	3210	RECEPTEUR EMB CPL WI	RACEPTEUR CLUTCH CPL WI	PINZA EMBRAGUE CPL WI
25	M252	M252	VIS CHC 6X20 0084	SCREW CHC 6X20	TORNILLO 6X20 DIN912
26	R023	R023	KIT REPARATION PISTON EMBRAYAGE	KIT REPAIR CLUTCH CYLINDER	KIT REPARACIÓN PISTON EMBRAGUE
27	R030	R030	POMPE EMBRAYAGE CPL	CLUTCH FRONT PUMP ASSY	CTO. BOMBA EMB 9,5
28	4087	4087	ETRIER FREIN AV 50 SIMPLE PISTON JJUAN	FRONT CALIPER ASSY ONE PISTON 50 JJUAN	PINZA FERNO DEL SIMPLE PISTÓN 50 JJUAN
29	4084	4084	PLAQUETTES FREIN AVIAR 50	PAD BRAKE FRONT/REAR 50	JUEGO PASTILLAS DEL/TRAS 50

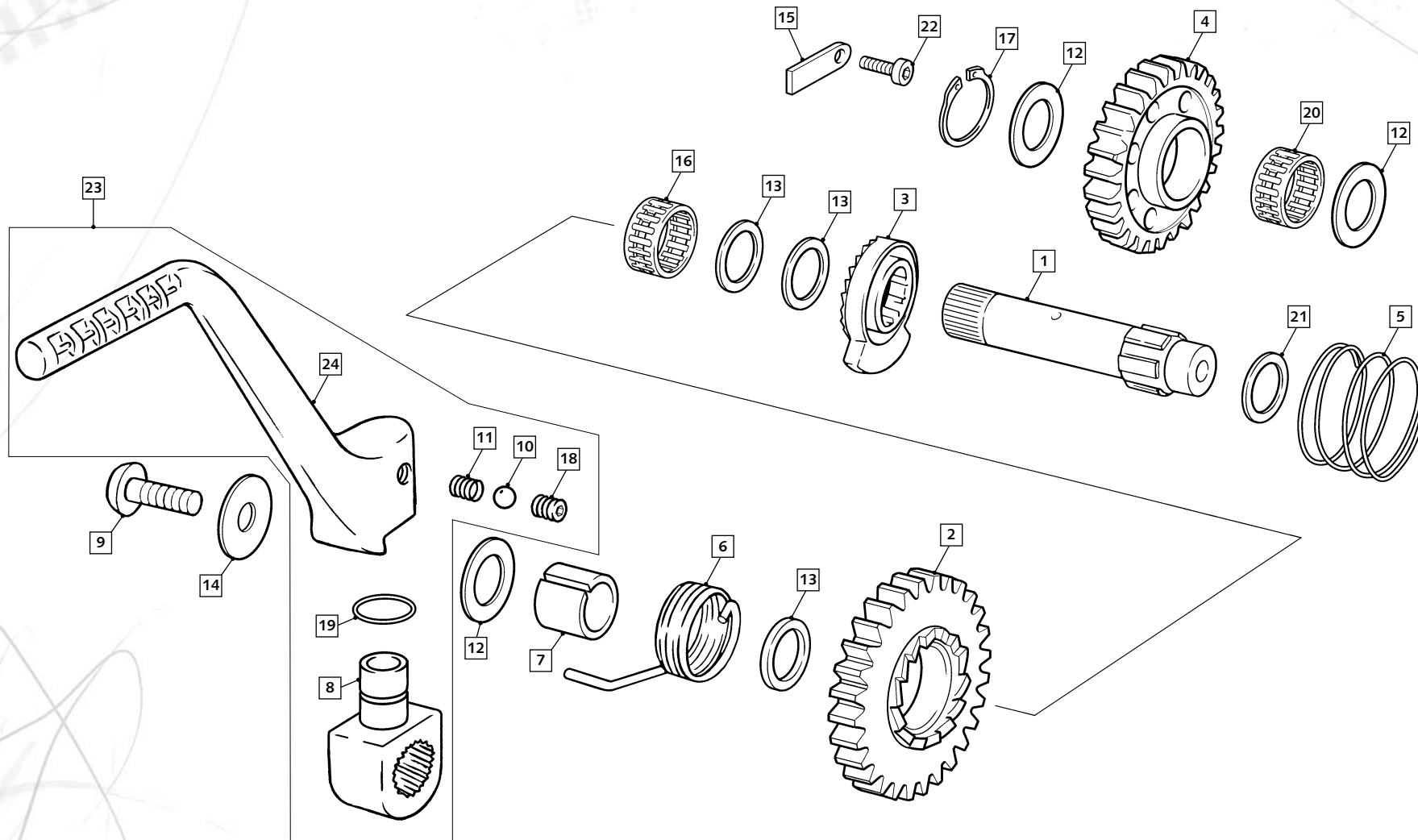


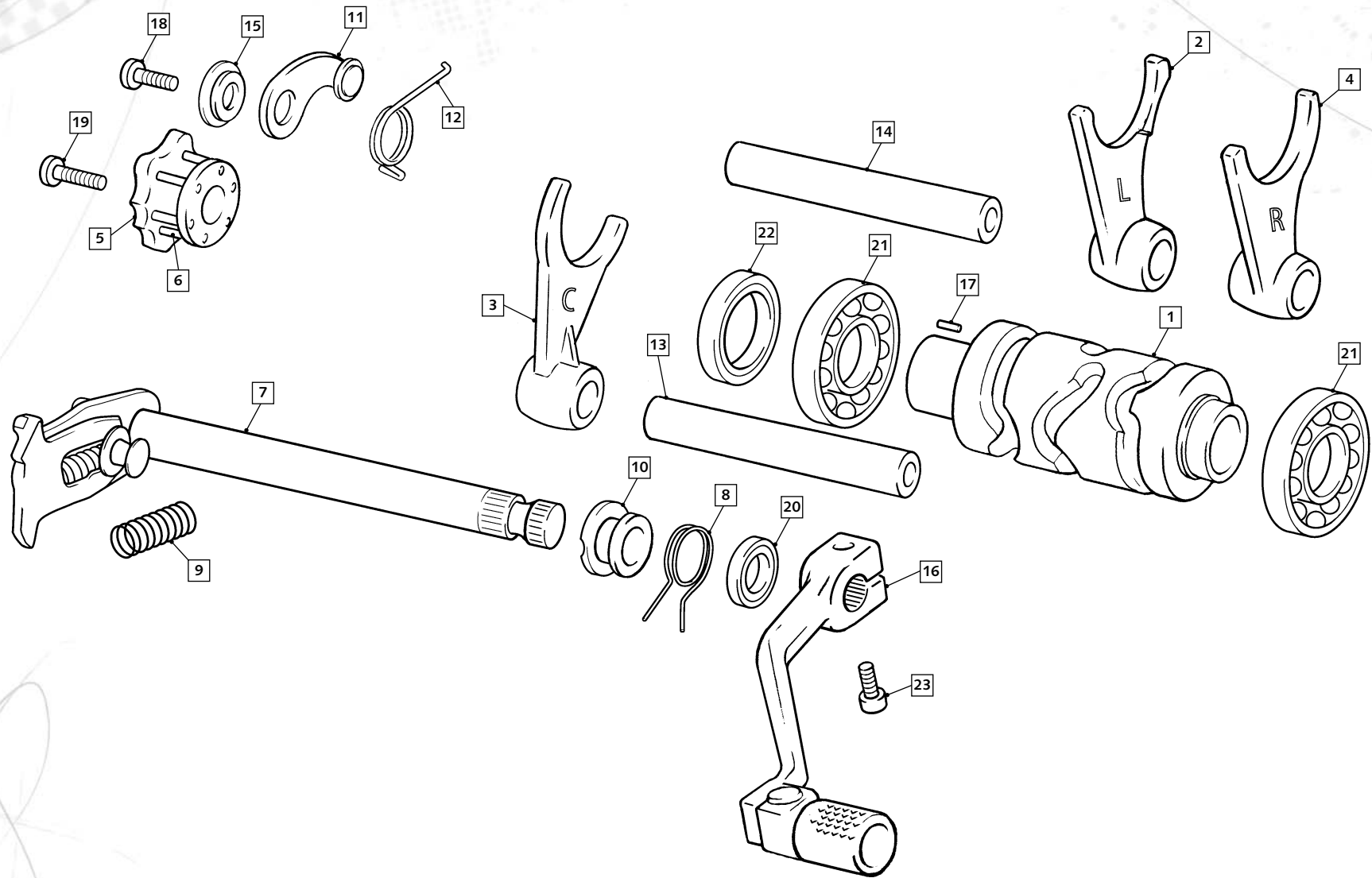
POS.	1.2	2.8	FRANÇAIS	ENGLISH	ESPAÑOL
1	2527	2527	RESERVOIR TRIDE	TANK TRIDE	DEPOSITO TRIDE
2	0497	0497	FIXATION SELLE RESERVOIR END 450	SPACER SEAT /TANK END 450	CASQUILLO SILING DEPOSITO END 450
3	0652	0652	VIS FHC M6 X 25	SCREW FHC M6 X 25	TORNILLO AVELL M6 X 25 DIN 7991
4	2890	2890	MOUSSE DE GUIDON SR280	HANDEL BAR PROTECT SR 280	GOMA PROTEC MANILLAR SR 280
5	2461	2461	ENTRETOISE DECOLLETEE M6 COURTE	SPACER M6 SHORT	CASQUILLO DE DECOLETAGE M6 CORTO
6	2479	2479	PARE BOUE AR BLANC TRIDE	BACK MUDGUARD WHITE TRIDE	GUARDABARRO TRASERO BLANCO TRIDE
7	2480	2480	PARE BOUE AV BLANC TRIDE	FRONT MUDGUARD WHITE TRIDE	GUARDABARRO DELANTERO BLANCO TRIDE
8	M330	M330	COLLIER RISLAN 178 X 4.8	COLLIER 178 X 4.8	ABRAZADERA 178 X 4.8
9	2503	2503	OUIE RESERVOIR DROITE BLANCHE STICKEE TRI	COVER TANK RIGHT WHITE TRIDE	TAPA DEPOSITO DERECHA BLANCA TRIDE
10	2504	2504	OUIE RESERVOIR GAUCHE BLANCHE STICKEE TRIDE	COVER TANK LEFT WHITE TRIDE	TAPA DEPOSITO IZQUIERDA BLANCA TRIDE
11	2510	2510	PLAQUE LATERALE DROITE BLANCHE TRIDE 2010	SIDE COVER RIGHTWHITE TRIDE	PLACA LATERAL DERECHA BLANCA TRIDE
12	2511	2511	PLAQUE LAT GAUCHE BLANCHE TRIDE 2010	SIDE COVER LEFT WHITE TRIDE	PLACA LATERAL IZQUIERDA BLANCA TRIDE
13	2515	2515	PROTECTION DROITE CADRE TRIDE	PROTECTOR CUADRO DERECHO TRIDE	PROTECTOR CUADRO DERECHO TRIDE
14	2516	2516	PROTECTION GAUCHE CADRE TRIDE	PROTECTOR CUADRO IZQUIERDA TRIDE	PROTECTOR CUADRO IZQUIERDA TRIDE
15	2531	2531	ROBINET ESSENCE SORTIE HORIZONTALE	PETROL TAP	GRIFO GAZOLINA HORIZONTAL
16	2546	2546	SELLE TRIDE	SEAT TRIDE	SILLIN TRIDE
17	2709	2709	PLAQUE PHARE BLANCHE TRIDE	FRONT LIGHT PLASTIC WHITE TRIDE	PLACA FARO BLANCA TRIDE
18	2711	2711	CAOUTCHOUC PLAQUE PHARE TRIDE	RUBBER FRONT LIGTH TRIDE	GOMA PLACA FARO TRIDE
20	C043	C043	DURITE BOUCHON ESSENCE	PETROL TUBE	TUBO TAPON GASOLINA
21	H398	H398	BOUCHON ESSENCE PLAT ACERBIS	PETROL CAP	TAPON GASOLINA PLANO ACERBIS
22	M282	M282	VIS BHC 6 X 10 1093	SCREW BHC 6 X 10	TORNILLO 6 X 10 BHC
23	M289	M289	VIS BHC M6 X 12 1093	SCREW BHC M6 X 12 1093	TORNILLO M6 X 12 1093
24	M283	M283	VIS BHC 6 X 16 1093 ZI BL	SCREW BHC 6 X 16	TORNILLO 6 X 16 ULS CIN BLA
25	C120	C120	COLLIER NORMA 30/45	COLLARD NORMA 30/45	ABRAZADERA NORMA 30/45
26	0595	0595	COLLIER KC060 MANCHON CORP INJECTION END 450	COLLAR KC060 HOSE BODY INJECTION END 450	BRIDA TOBERA KC060 CUERPO INYECCION END 450
27	4208	4208	RACCORD FILTRE CARBU TRIDE 2T	MANIFOLD FILTER/CARBU TRIDE 2T	TOBERA FILTRO CARBU TRIDE 2T
28	2408	2408	BOITIER FILTRE A AIR TRIDE	AIR FILTER BOX TRIDE	CAJA FILTRO TRIDE
29	1167	1167	VALVE CAISSE FILTRE	VALVE BOX FILTER	VALVULA CA JA FILTRO
30	4397	4397	BOUCHON DIAM 12	CAP DIAM 12	TAPON DIAM 12
31	M289	M289	VIS BHC M6 X 12 1093	SCREW BHC M6 X 12 1093	TORNILLO M6 X 12 1093
32	M282	M282	VIS BHC 6 X 10 1093	SCREW BHC 6 X 10	TORNILLO 6 X 10 BHC
33	M317	M317	RONDELLE 6 X12 0407 6	WASHER X 6	ARANDELA 6 DIN 125 A

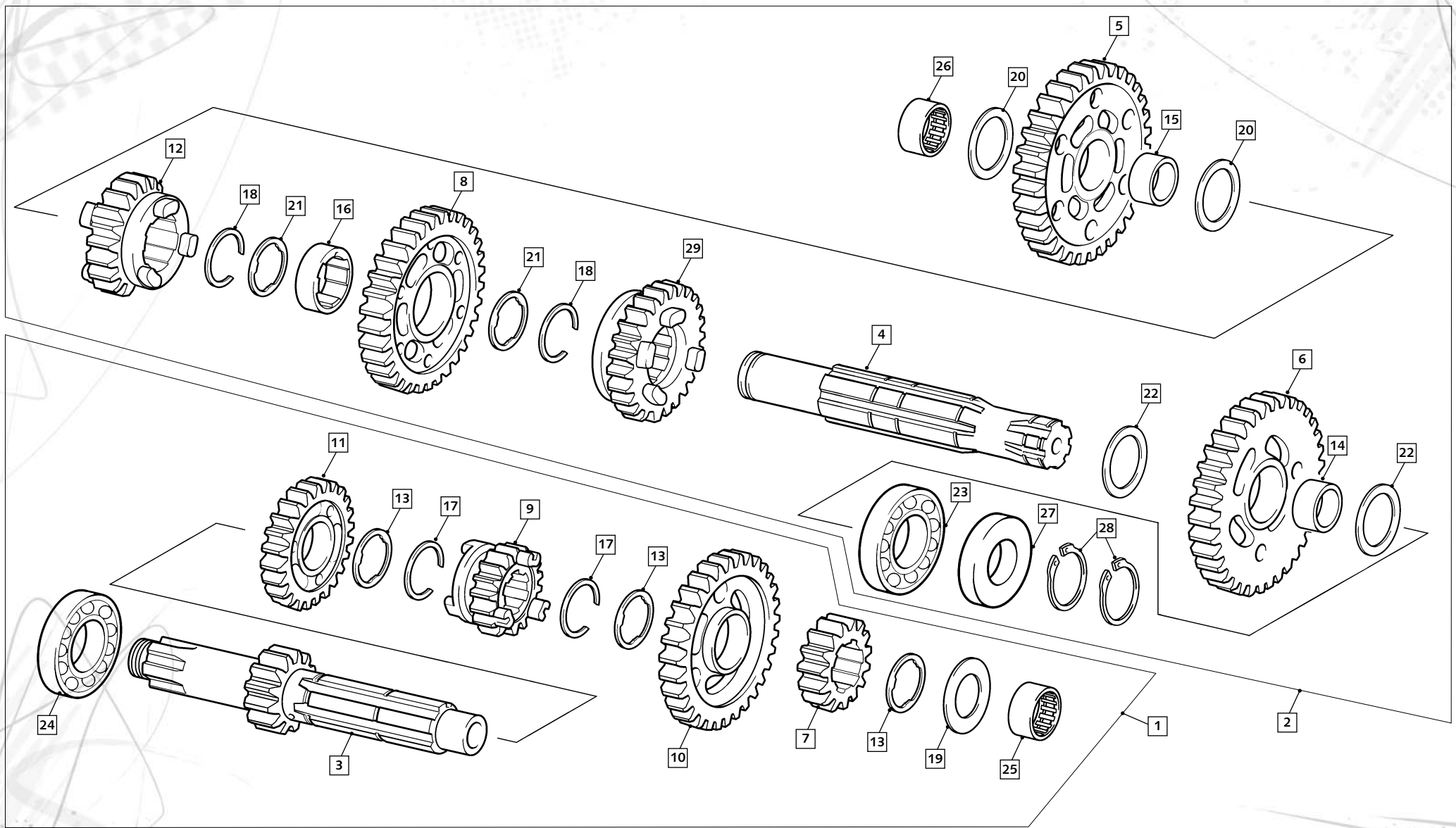




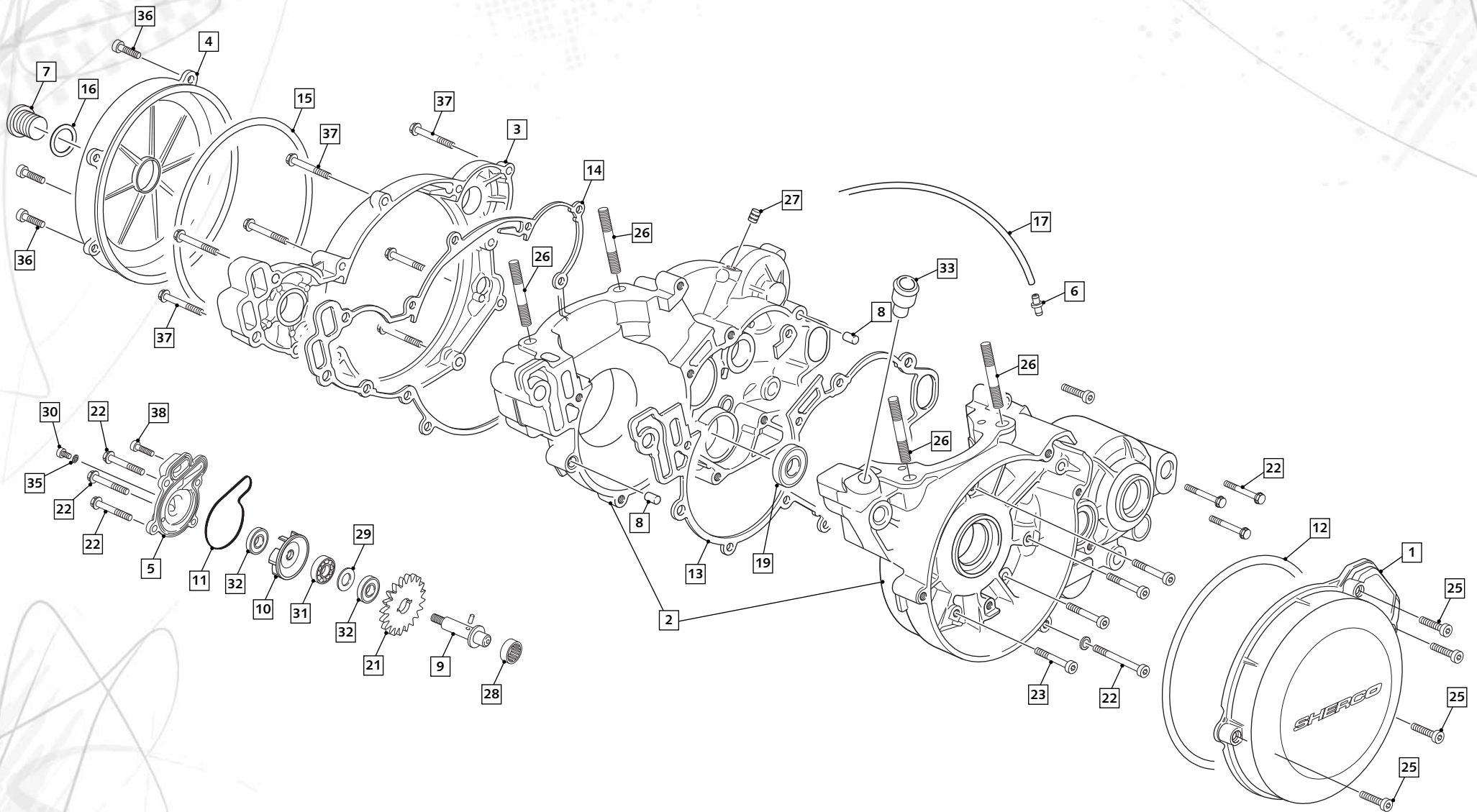




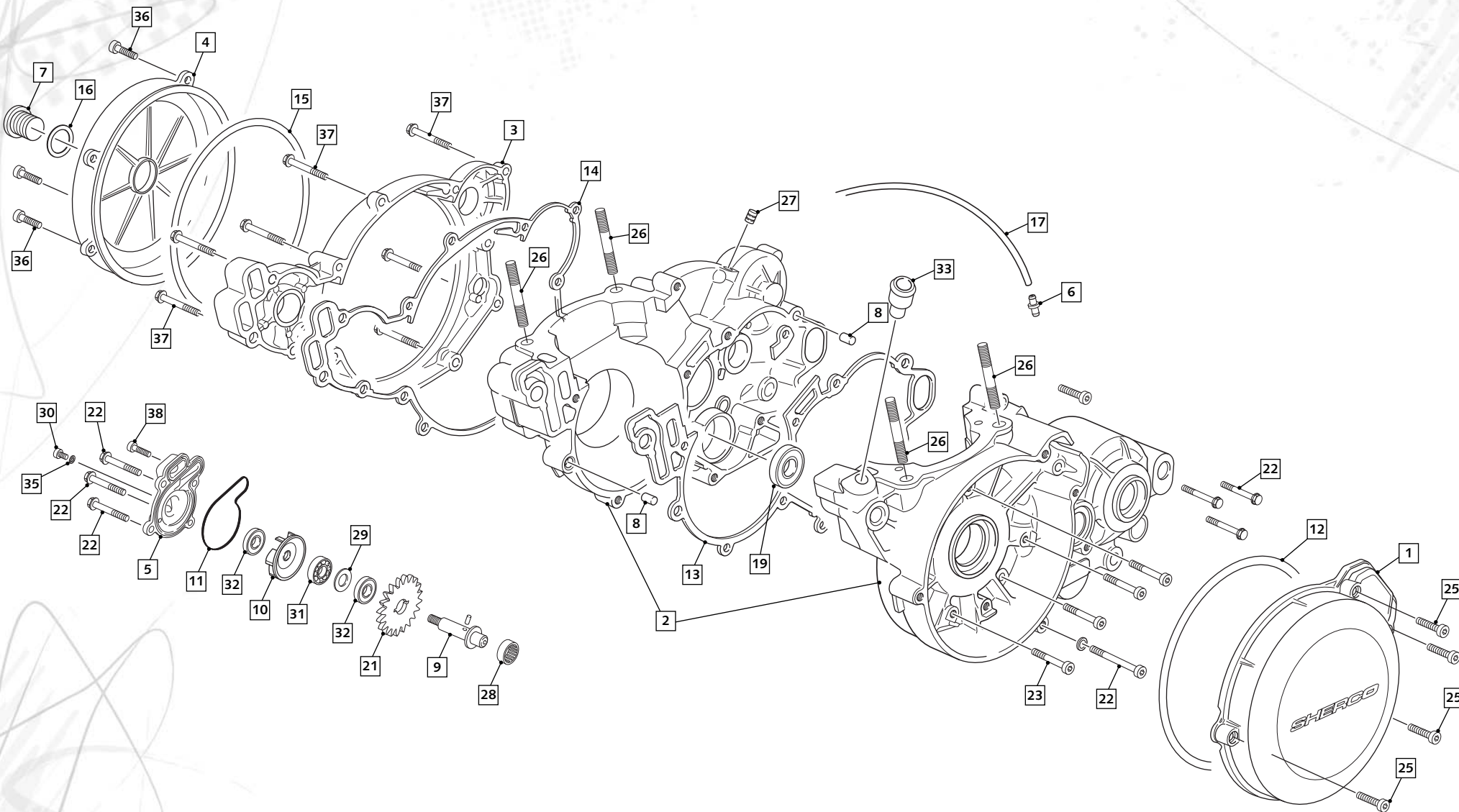


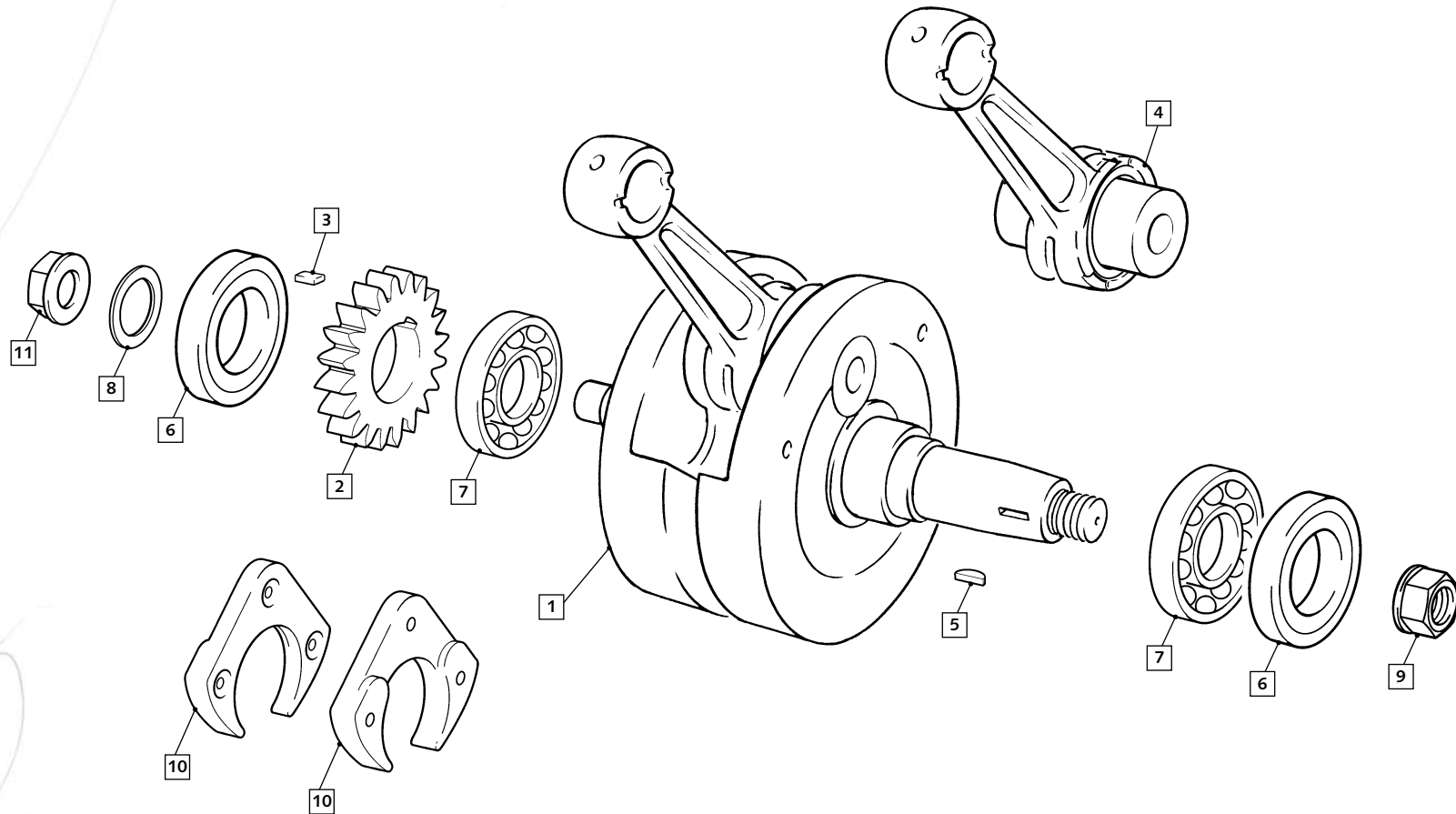


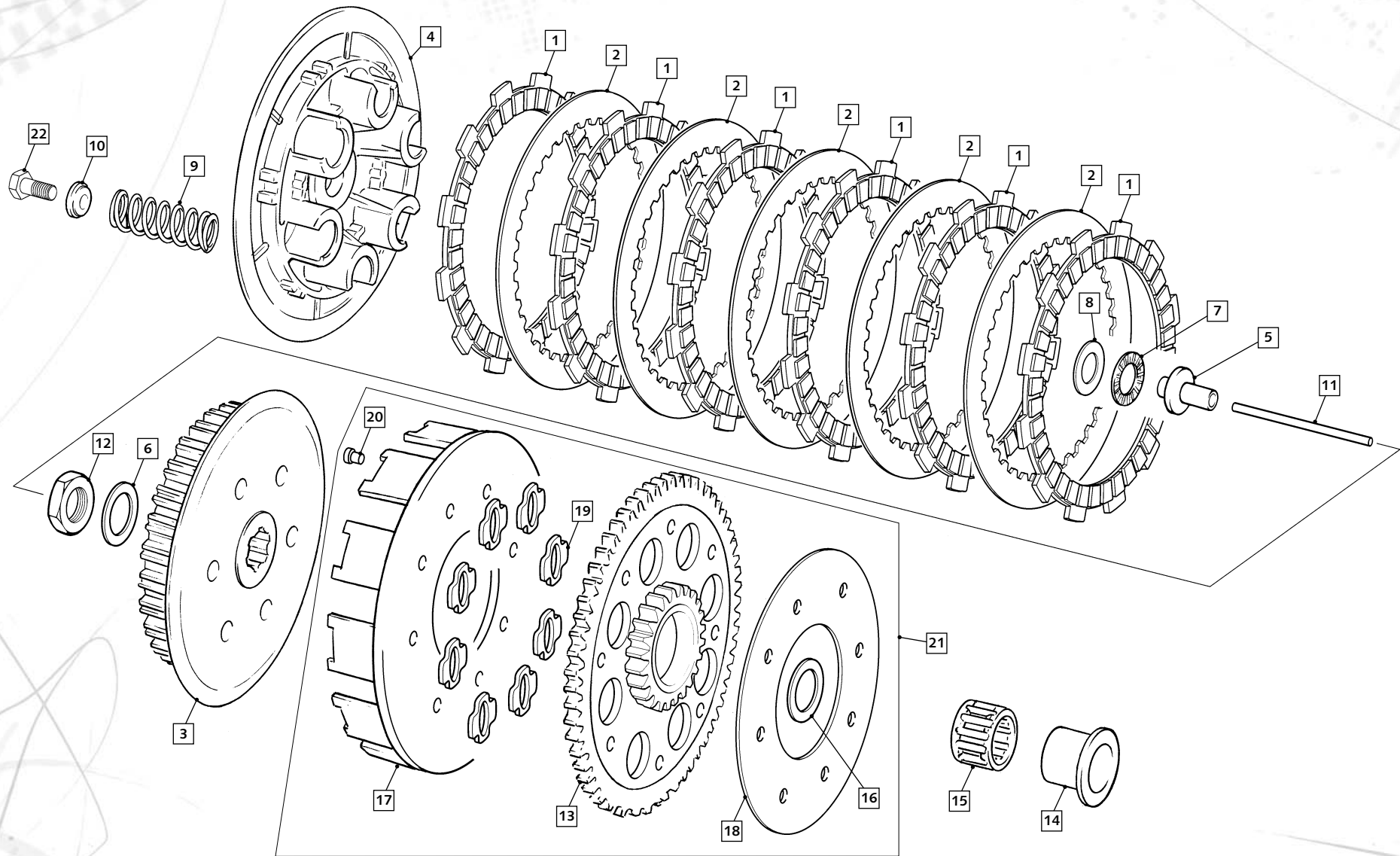
POS.	1.2	2.8	FRANÇAIS	ENGLISH	ESPAÑOL
1	4274	4274	ENSEMBLE ARBRE PRIMAIRE 03	GROUP FIRST SHAFT WITH PINION 03	CJTO EJE PRIM CAMBIO 03
2	4275	4275	ENSEMBLE ARBRE SECONDAIRE 03	GR. SECOND SHAFT WITH PINION 03	ENSEMBLE ARBRE SECONDAIRE 03
3	M374	M374	ARBRE PRIMAIRE / PIGNON 1ERE EVOL 2	GEAR CLUTCH SHAFT EVOL 2	EJE PRIMARIO EVOL 2
4	M054	M054	ARBRE SECONDAIRE	MAINSHAFT	EJE SECUNDARIO
5	M367	M367	PIGNON SECONDAIRE 1ERE EVOL 2	PINION SECOND 1ERE EVOL 2	PINION SECOND 1ERE EVOL 2
6	4301	4301	ROUE LIBRE DE 2EME	FREE PINION 2 EME	CORONA DE 2A
7	4300	4300	PIGNON FIXE DE 2 EME	GEAR PINION 2EME	PINON DE 2A
8	4303	4303	ROUE LIBRE DE 3 EME	FREE PINION 3 EME	CORONA DE 3A
9	4302	4302	PIGNON BALADEUR DE 3EME	GEAR PINION 3 EME	PINON DESPLAZABLE 3A
10	M061	M061	ROUE LIBRE DE 5 EME	GEAR PINION 5 EME	CORONA DE 5A
11	M062	M062	PIGNON LIBRE DE 4 EME	FREE PINION 4 EME	PINON DE 4A
12	M063	M063	ROUE BALADEUSE DE 4 EME	FREE PINION 4 EME	CORONA DESPLAZABLE DE 4A
13	M064	M064	RONDELLE CRENEAUX 20X24X1	GEAR WASHER 20X24X1	ARANDELA ESTRIADA 20X24X1
14	M065	M065	DOUILLE ANTI FRICTION 1ERE	BUSH 1ERE	CASQUILLO ANTI-FRICCION 1A
15	M066	M066	DOUILLE ANTI FRICTION 2EME	BUSH 2 EME	CASQUILLO ANTI-FRICCION 2A
16	M067	M067	DOUILLE ANTI FRICTION 3EME	BUSH 3 EME	CASQUILLO ANTI-FRICCION 3A
17	M068	M068	SEGMENT ARRET WR 20	RETAINING WR 20	SEEGER WR 20
18	M069	M069	SEGMENT ARRET WR 22	RETAINING WR 22	SIGER WR 22
19	M070	M070	RONDELLE INA ARBRE PRIMAIRE 15X28X1	THRUST WASHER 15X28X1	ARANDELLA INA EJE PRIMARIO 15X28X1
20	M071	M071	RONDELLE ARBRE SECONDAIRE 17X27X1	MAINSHAFT WASHER 17X27X1	ARANDELLA EJE SECUNDARIO 17X27X1
21	M072	M072	RON. CRENEAU ARBRE SECOND. 22X28X1	WASHER 22X28X1	ARAN. ESTR. EJE SECUNDARIO 22X28X1
22	M073	M073	RONDELLE ARBRE SECONDAIRE 20X27X1	MAINSHAFT WASHER 20X27X1	ARANDELA EJE SECUNDARIO 20X27X1
23	M074	M074	ROULEMENT 20X47X14	BEARING 20X47X14	COJINETE 20X47X14
24	M075	M075	ROULEMENT 20X47X14 2RSH	BEARING 20X47X14 2RSH	COJINETE 20X47X14 2RSH
25	M076	M076	DOUILLE AIGUILLE 15X21X12	NEEDLE BEARING 15X21X12	CASQUILLO DE AGUJAS 15X21X12
26	M077	M077	DOUILLE AIGUILLE HK1712B	NEEDLE BEARING 17X23X12	CASQUILLO DE AGUJAS 17X23X12
27	M078	M078	JOINT DOUBLE LEVRE 20X30X7	OIL SEAL 20X30X7	RETEN DOBLE LABIO 20X30X7
28	M350	M350	SEGMENT ARRET WR 20 SORTIE BOITE	SEGMENT ARRET WR 20	SEGMENT ARRET WR 20
29	M060	M060	PIGNON BALADEUR DE 5 EME	FREE PINION 5 EME	PINON LIBRE 5A

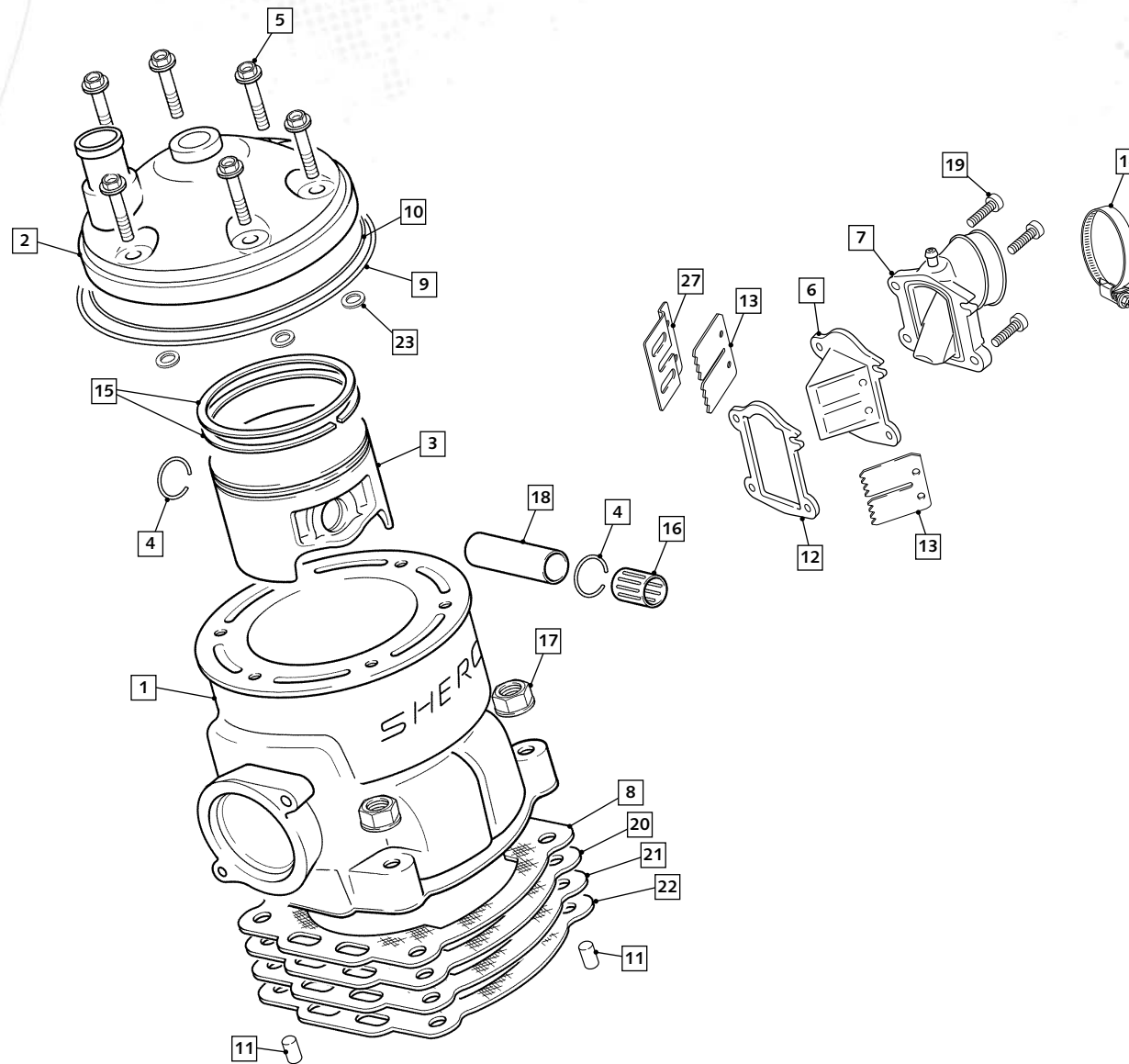


POS.	1.2	2.8	FRANÇAIS	ENGLISH	ESPAÑOL
1	3142	3142	CARTER ALLUMAGE TR I I	IGNITION COVER TR I I	TAPA ENCENDIDO TR I I
2	3146	3129	GP CARTERS CENTRAUX TR I I	CRANKCASES SET TR I I	CARTERS CENTRALES TR I I
3	3130	3130	CARTER LATERAL DROITE TR I I	BOTTOM CLUTCH COVER TR I I	CARTER LATERAL DERECHO TR I I
4	3131	3131	COUVERCLE EMBRAYAGE TR I I	CLUTCH COVER TR I I	TAPETA EMBRAGUE TR I I
5	3132	3132	COUVERCLE POMPE EAU TR I I	WATER PUMP COVER TR I I	TAPA BOMBA AGUA TR I I
6	M016	M016	RENIFLAR CARTER CENTRAL	AIR VENT CRANKCASES	DEPRESOR CARTERS
7	M021	M021	BOUCHON REMPLISSAGE HUILE	CARTER FILTER TAP	TAPON LLENADO ACEITE CARTER
8	M022	M022	DOUILLE CENTRAGE CARTER	DOUILLE CENTRAGE CARTER	CASQUILLO CENTRADOR CARTER
9	M363	M363	AXE POMPE EAU EVOLUTION 3	WATER PUMP AXELE EVOLUTION 3	EJE BOMBA AGUA EVOLUTION 3
10	M351	M351	TURBINE POMPE EAU EVOLUTION2	WATERPUMP TURBINE EVOLUTION2	TURBINA BOMBA AGUA EVOLUTION2
11	3133	3133	JOINT COUVERCLE POMPE EAU TR I I	RING WATER PUMP COVER TR I I	JUNTA TAPA BOMBA AGUA TR I I
12	3158	3158	JOINT CARTER ALUMAGE I60X2 TR I I	O-RING IGNITION COVER I60X2 TR I I	JUNTA TOR. TAPA ENCEN. I60X2 TR I I
13	3151	3134	JOINT CART. CENT. I25/200CC I I TR	CENT. CRANK. GASKET I25/200 I I TR	JUNTA CARTER CENT. I25/200 I I TR
14	3135	3135	JOINT CARTER LATERAL TR I I	CLUTCH GASKET TR I I	JUNTA CARTER LATERAL TR I I
15	3141	3141	JOINT TORIQUE I60X1.5	O-RING I60X1.5	JUNTA TORICA I60X1.5
16	M162	M162	TORIQUE I0X2.5 BOUCHON HUILE	O-RING I0X2.5 OIL PLUG	TORICA I0X2.5 TAPON ACEITE
17	M017	M017	DURITE RENIFLARD 3X5	TUBE AIR VENT CRANKCASES 3X5	TUBO DEPRESOR 3X5
19	3128	3128	JOINT DOUBLE LEVRES I7X24X5	OIL SEAL I7X24X5	RETEN DOBLE LABIO I7X24X5
21	M364	M364	PIGNON POMPE EAU NYLON	PINIO WATER PUMP NYLON	PIGNON BOMBA AGUA NYLON
22	0549	0549	VIS TH EP 6 X 45	SREW TH EP 6 X 45	TORNILLO TH EP 6 X 45
23	3235	3235	VIS TH EP 6 X 50	SCREW TH EP M6 X50	TORNILLO TH EP M6 X50
25	3269	3269	VIS CHC 5 X 20 0084	SCREW CHC 5 X 20	TORNILLO 5 X 20 ALLEN
26	M291	M291	GOUJON DE CYLINDRE 8 X 46	STUD CYLINDRE 8 X 46	ESPARRAGO CILINDRO 8 X 46
27	2386	2386	BOUCHON CANALISATION HUILE 6X8	LUBRICATION CAP 6X8	TAPA CANALIZACION 6X8
28	M029	M029	ROUL. AIGUILLE POMPE EAU HK0808	WATER PUMP NEEDLE BEAR. HK 0808	COJ. AGUJAS BOMBA AGUA HK 0808
29	M030	M030	ROND. BUTEE POMPE A EAU 8X I6X I	WATERPUMP BUSH 8X I6X I	ARANDELA BOMBA AGUA 8X I6X I
30	M288	M288	VIS CHC 5X6 I093	SCREW CHC 5X6	TORNILLO CHC 5X6
31	M027	M027	ROUL. BILLE POMPE EAU 608.2RSH	WATER PUMP BEARING 608.2RSH	COJINETE BOMBA AGUA 608.2RSH
32	M031	M031	JOINT POMPE A EAU 8X20X5DL	WATER PUMP SEAL 8X20X5DL	RETEN BOMBA AGUA 8X20X5DL
33	3143	3143	RACCORD DURITE CARTER RAD. I I	WATER CONEXION I I	CONEC. TUBO AGUA CART.-RAD. I I
35	M277	M277	RONDELLE ALU M5 0463 5X I0	GASKET RING X5	ARANDELA ALUMINIO X5
36	0550	0550	VIS TH EP 6 X 55	SREW TH EP 6 X 55	TORNILLO TH EP 6 X 55

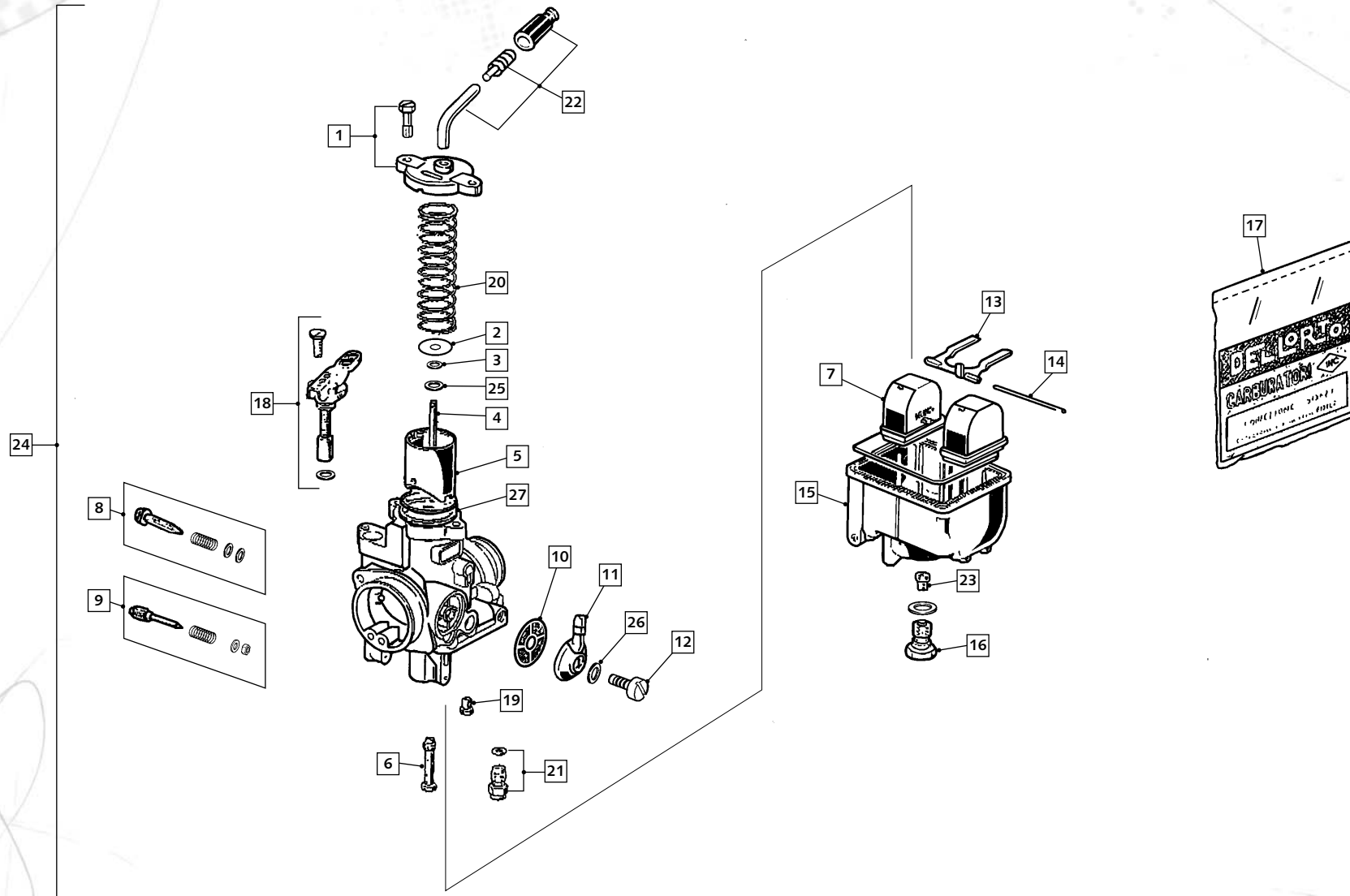




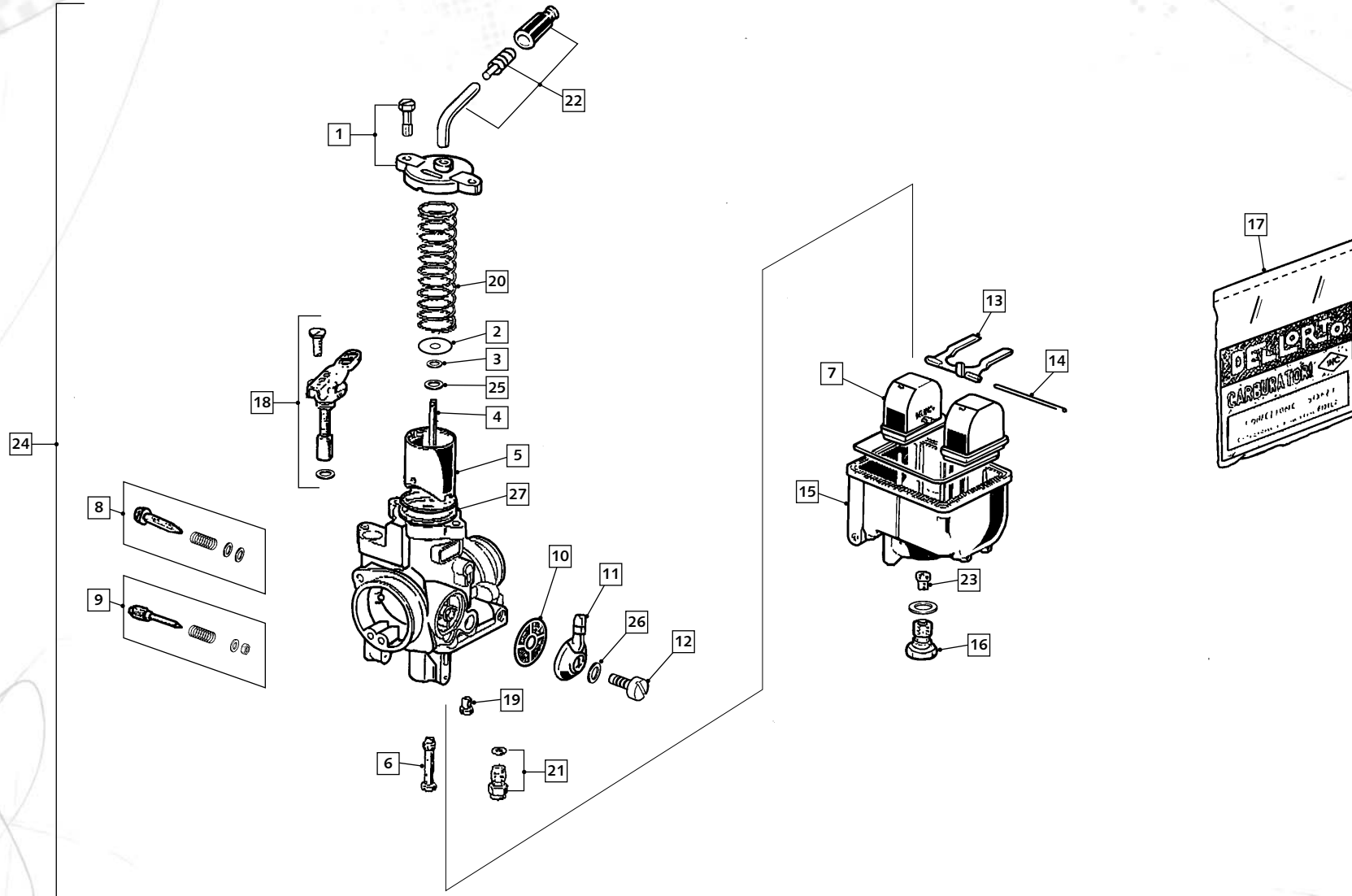




POS.	1.2	2.8	FRANÇAIS	ENGLISH	ESPAÑOL
1	3147	3138	CYLINDRE 11 TR	CILYNDER 11 TR	CILINDRO 11 TR
2	3148	3137	CULASSE 11 TR	CYLINDER HEAD 11 TR	CULATA 11 TR
3	M212	M245	PISTON CPL "A"	PISTON "A"	PISTON "A"
3	M580	M589	PISTON CPL "B"	PISTON "B"	PISTON "B"
3	M581	M590	PISTON CPL "C"	PISTON "C"	PISTON "C"
3	M582	M591	PISTON CPL "D"	PISTON "D"	PISTON "D"
4	R218	R218	CIRCLIP PISTON	PISTON CIRCLIP	SERCLIP PISTON
5	0547	0547	VIS TH EP 6 X 30	SCREW TH EP 6 X 30	TORNILLO TH EP 6 X 30
6	3150	3125	BOITE CLAPETS 80 -125 11 TR	REEDS CASE 80-125 11 TR	CAJA LAMINAS 80-125 11 TR
7	4435	4435	PIPE ADMISSION 201 I CARB 26	ADMISION PIPE 201 I CARB 26	TOBERA ADMISION 201 I CARB 26
8	3024	3025	JOINT EMBASE SIL. CYLIND. 0.5 125 WI	CILYND GASKET SILICON 0.5 125CC WI	JUNTA CILIND SILICONA 0.5 125CC WI
9	M038	M038	JOINT TORIQ. CULASSE 105X109X2 VIT.	CILYND HEAD O-RING 105X109X2 VITON	JUNTA TOR. CULATA 105X109X2 VITON
10	3399	M039	JOINT TORIQ. CULASSE 64X2 VITON	CILYND HEAD O-RING 64 X 2 VITON	JUNTA TORICA CULATA 64 X 2 VITON
11	0200	0200	AIGUILLES 4X9.8 NRB	NEEDL 4X9.8 NRB	AGUJA 4X9.8 NRB
12	3136	3136	JOINT BOITE CLAPET TR 11	REEDS CASE GASKET TR 11	JUNTA CAJA LAMINAS TR 11
13	R022	R022	CLAPET RECHANGE UNITEE	REEDS VALVE SET	LAMINAS RECAMBIO UNIT
14	3287	3287	COLLIER MIKALOR 44	COLLARD MIKALOR 44	ABRAZADERA MIKALOR 44
15	R213	R215	JEUX SEG. 125CC 50712005600K4	SET RINGS 125CC 50712005600K4	JUEGO AROS 125CC 50712005600K4
16	M241	M248	CAGE AIGUILLE PIST. 125 KBK 16X20X20	NEEDLE BEARING KBK 125 16X20X20	JAULA AGUJAS PIST. 125KBK 16X20X20
17	M272	M272	ECROU EMBASE X8 0692	COLLAR HEX NUT M8	TUERCA CON VALONA M8
18	R219	R221	AXE PISTON 125CC	PISTON PIN 125CC	BULON PISTON 125CC
19	3269	3269	VIS CHC 5 X 20 0084	SCREW CHC 5 X 20	TORNILLO 5 X 20 ALLEN
20	3186	3189	JOINT EMBASE CYLIND. 125 WI 0.2MM	CILYNDER GASKET 125CC WI 0.2MM	JUNTA CILINDRO 125CC WI 0.2MM
21	3187	3190	JOINT EMBASE CYLIND. 125 WI 0.3MM	CILYNDER GASKET 125CC WI 0.3MM	JUNTA CILINDRO 125CC WI 0.3MM
22	3188	3191	JOINT EMBASE CYLIND. 125 WI 0.4MM	CILYNDER GASKET 125CC WI 0.4MM	JUNTA CILINDRO 125CC WI 0.4MM
23	M040	M040	RONDELLE	WASHER COPPER 6 X 12 X 1.5	ARANDELA
27	3994	3994	TOPE CLAPETS RECHANGE	SUPPORT REEDS VALVES	TOPE LAMINAS



POS.	1.2	2.8	FRANÇAIS	ENGLISH	ESPAÑOL
1	R369	R369	KIT COUVERCLE BOISSEAU	CARBURATOR COVER	TAPA CARBURADOR
2	R370	R370	PLATINE DE RESSORT CARBU	CARBURATOR WASHER SPRING	ARANDELA TOPE AGUJA
3	R371	R371	CLIP AIGUILLE CARBU	CLIP AIGUILLE CARBU	CLIP AGUJA CARB.
4	R372	R372	AIGUILLE CARBU	AIGUILLE CARBU	AGUJA CARBU.
5	R373	R373	BOISSEAU	CARBURATOR VALVE	CAMPANA
6	R374	R374	PULVERISATEUR CARBU 270	CARBURATOR PULVERISATEUR 270	PULVERIZADOR CARBU 270
7	R375	R375	FLOTEUR DE CARBU	CARBURATOR FLOTEUR	BOYA CARBU
8	R376	R376	KIT VIS REGUL GAS CARBU	KIT SCREW REGUL GAS	TORNILLO RALENTI
9	R377	R377	KIT VIS REGUL ESSENCE CARBU	SCREW REGUL PETROL CARBU	TORNILLO AIRE
10	R378	R378	FILTRE ESS CARBU	PETROL FILTER CARBU	FILTRO GASOLINA CARBU
11	R379	R379	PIPETTE RACCORD TUBE ESS CARBU	CARBURATOR CONEXION PETROL TUB	PIPETA TUBO GASOLINA CARBU.
12	R380	R380	VIS PIPETTE CARBU	SCREW CONEXION PERTOL TUB	TORNILLO PIPETA
13	R381	R381	BALAN. DE FLOTEUR CARBU COMP.	BALANC. FLOTEUR CARBU COMPATIBLE	BALANCIN BOYA CARBU. COMPATIBLE
14	R382	R382	AXE BALANCIER FLOTEUR CARBU	PIN BALANCIER FLOTEUR CARBU	EJE BALANCIN FLOTADOR CARBU.
15	R383	R383	CUVE CARBURATEUR	CARBURATORCUVE	CUBA CARBURADOR
16	R384	R384	VIS FIXATION CUVE	SCREW FIXATION CUVE	TORNILLO CUBA CARBU
17	R385	R385	OBSOLETO VER R169 KIT JOINT CAR. 4T	CARBURATOR KIT SEEL 4T	KIT JUNTAS CARBURADOR 4T
18	R147	R147	GROUPE STARTER	CHOKE SET REPLACEMENT	CTO STARTER RECAMBIO
19	----	R140	GICLEUR RALENTI 30	PILOT JET 30	CHICLE RALENT 30
19	R142	R142	GICLEUR RALENTI 32	PILOT JET 32	CHICLE RALENT 32
19	R143	R143	GICLEUR RALENTI 33	PILOT JET 33	CHICLE RALENTI 33
19	R144	R144	GICLEUR RALENTI 34	PILOT JET 34	CHICLE RALENTI 34
19	R145	R145	GICLEUR RALENTI 35	PILOT JET 35	CHICLE RALENTI 35
19	R146	R146	GICLEUR RALENTI 36	PILOT JET 36	CHICLE RALENTI 36
19	R148	----	GICLEUR RALENTI 40	PILOT JET 40	CHICLE RALENTI 40
20	M044	M044	RESSORT CARBURATEUR	SPRING CARBURETOR	MUELLE CARBURADOR
21	2389	2389	POINTEAU CARBU 200	POINTEAU CARBU 200	VALVULA AGUJA 200
22	R237	R237	KIT TUBE CARBURATEUR	KIT TUB CARBURATEUR	CURVA GUIA CABLE
23	----	R122	GICLEUR PRINCIPAL 122	MAIN JET 122	CHICLE PRINCIPAL 122
23	NEW	----			
23	R120	R120	GICLEUR PRINCIPAL 120	MAIN JET 120	CHICLE PRINCIPAL 120
23	R121	R121	GICLEUR PRINCIPAL 121	MAIN JET 121	CHICLE PRINCIPAL 121



TRIDE 1.25 2T
2.8 2T

