

 **SCORPA**

TRIAL

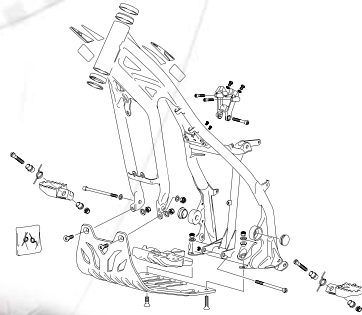
**TWENTY**  
**1.25 2.5 3.0**

MANUEL DE PIÈCES  
PARTS MANUAL  
MANUAL DE RECAMBIOS

**2017** TRIAL

### CADRE / FRAME / CHASIS

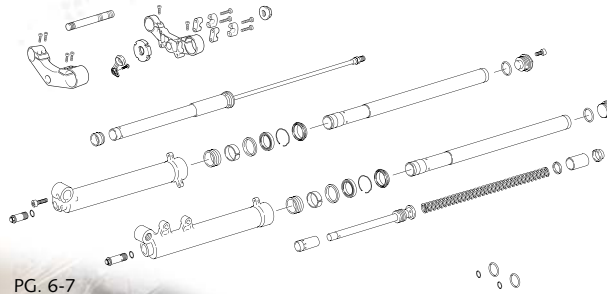
1



PG. 4-5

### FOURCHE / FORK / HORQUILLA

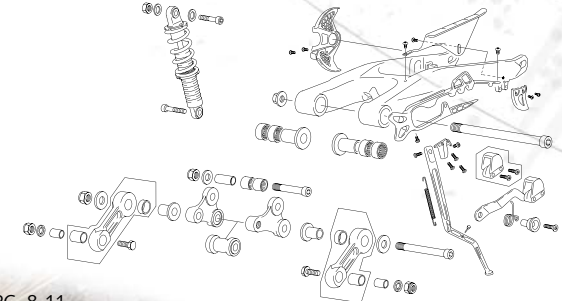
2



PG. 6-7

### AMORTISSEUR - BRAS OSCILLANT / REAR SHOCK - SWINGARM / AMORTIGUADOR - BASCULANTE

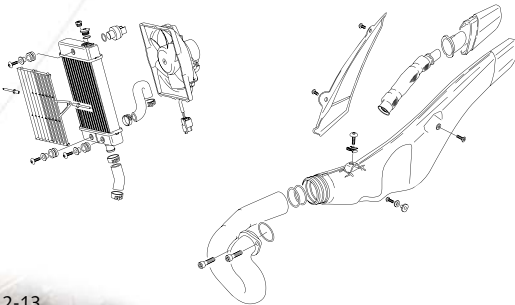
3



PG. 8-11

### RADIATEUR-ECHAPPEMENT/ RADIATOR-EXHAUST SYSTEM / RADIADOR-ESCAPE

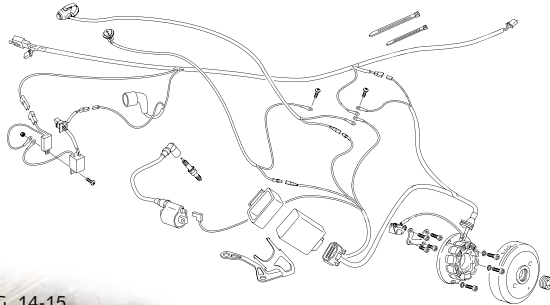
4



PG. 12-13

### FAISCEAU ELECTRIQUE / ELECTRICAL SYSTEM / SISTEMA ELÉCTRICO

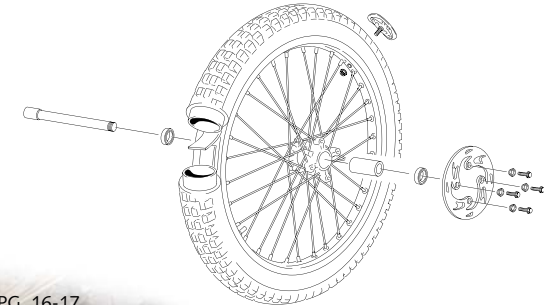
5



PG. 14-15

### ROUE AVANT / FRONT WHEEL / RUEDA DELANTERA

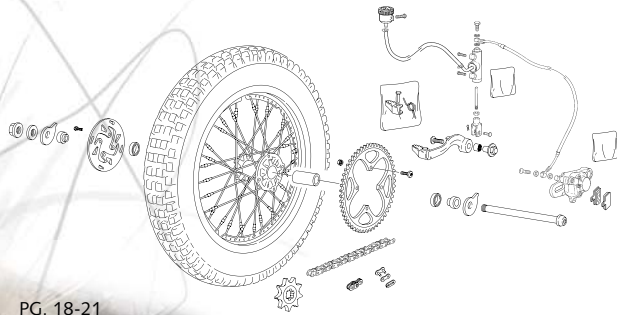
6



PG. 16-17

### ROUE ARRIERE / REAR WHEEL / RUEDA TRASERA

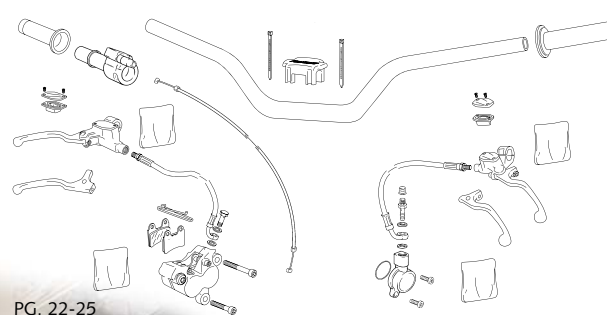
7



PG. 18-21

### GUIDON / HANDLEBAR / MANILLAR

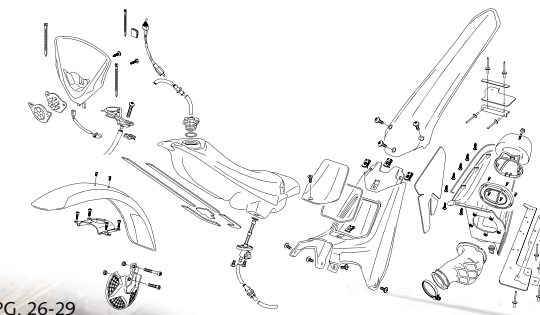
8



PG. 22-25

### PLASTIQUES / PLASTICS / PLÁSTICOS

9



PG. 26-29

ADHESIFS / STIKERS / ADHESIVOS

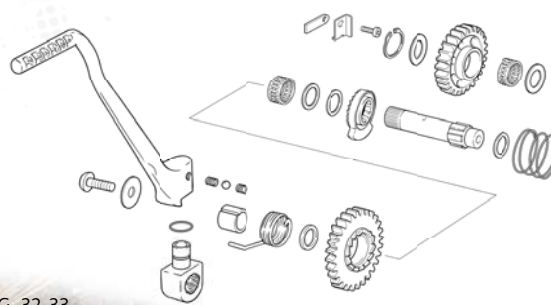
10



PG. 30-31

LANCEUR / KICKSTARTER ASSEMBLY / PEDAL ARRANQUE

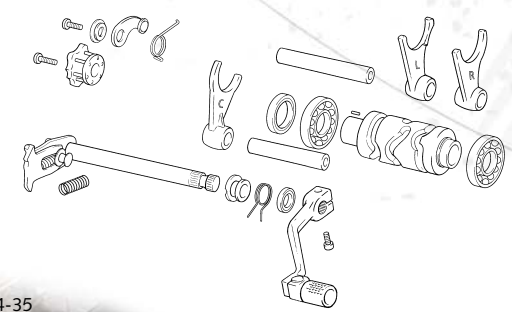
11



PG. 32-33

SELECTEUR / GEAR SELECTOR / SELECTOR CAMBIO

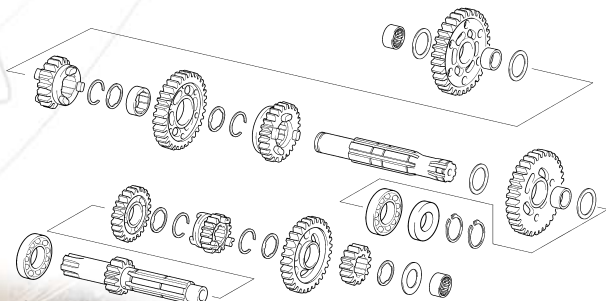
12



PG. 34-35

BOITE A VITESSES / GEARSET / CAMBIO

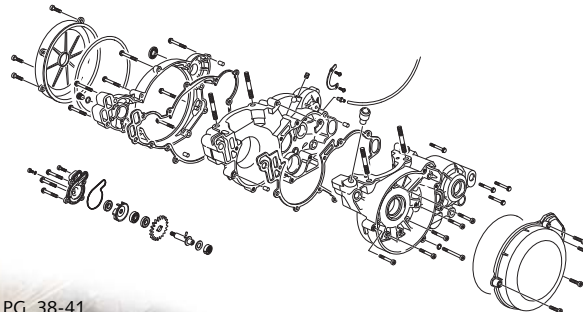
13



PG. 36-37

GROUPE CARTERS / CRANKCASE ASSEMBLY / GRUPO CARTERS

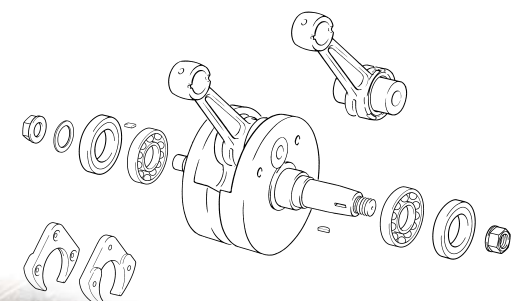
14



PG. 38-41

VILLEBREQUN ASSEMBLE / CRANKSHAFT ASSEMBLY / CIGÜENAL BIELA

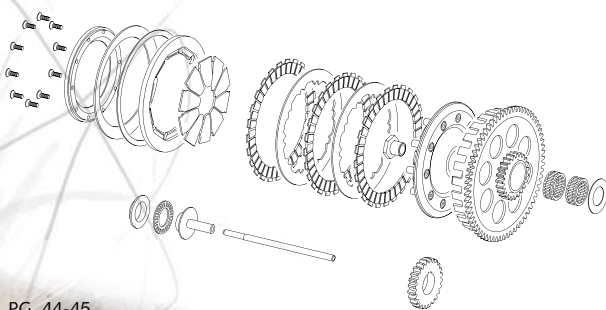
15



PG. 42-43

EMBAYAGE / CLUTCH / EMBRAGUE

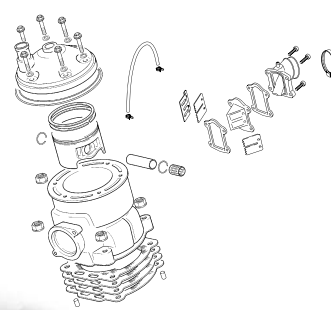
16



PG. 44-45

CYLINDRE / CYLINDER / CILINDRO

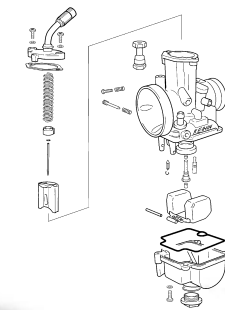
17



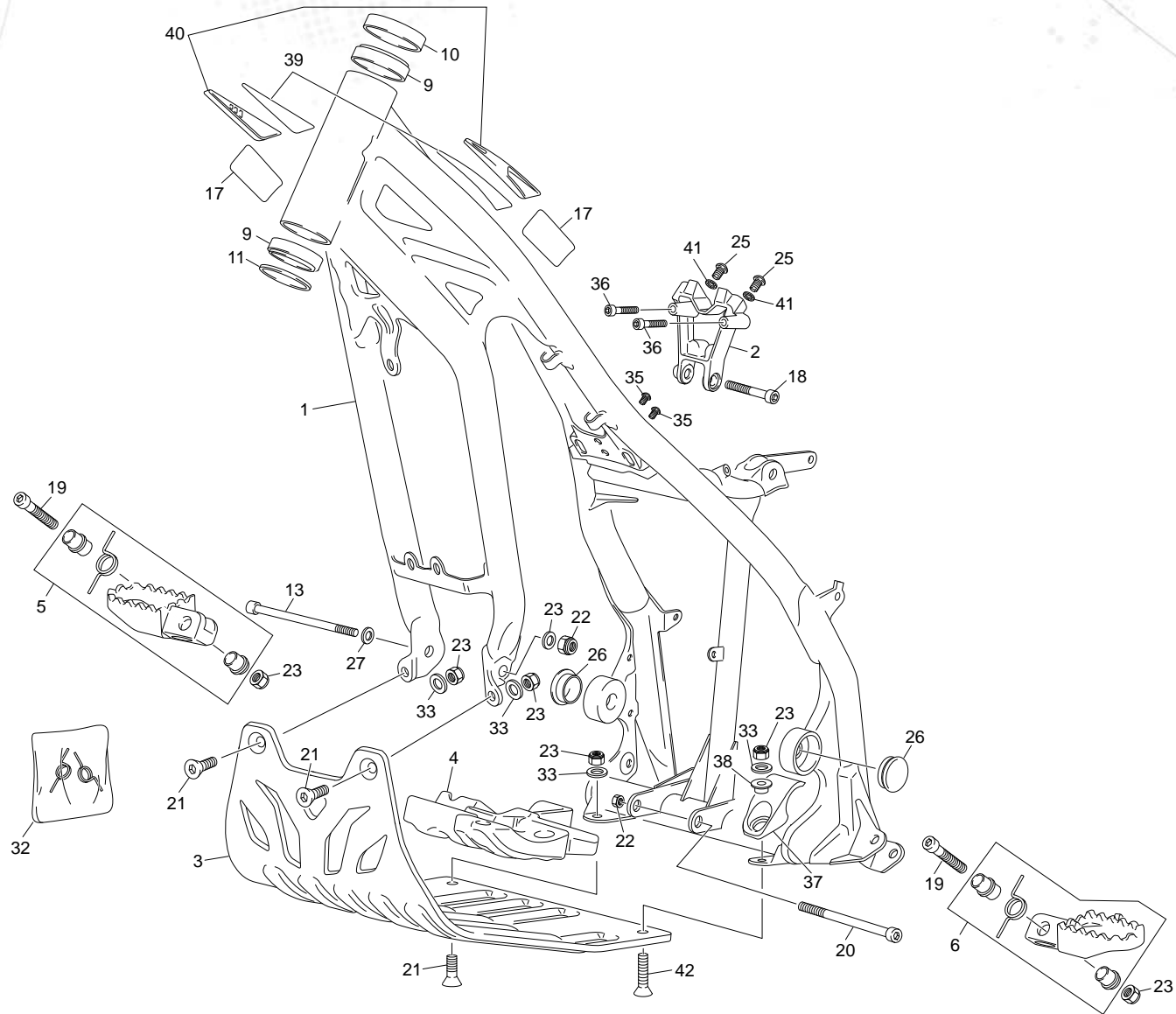
PG. 46-47

CARBURATEUR / CARBURETOR / CARBURADOR

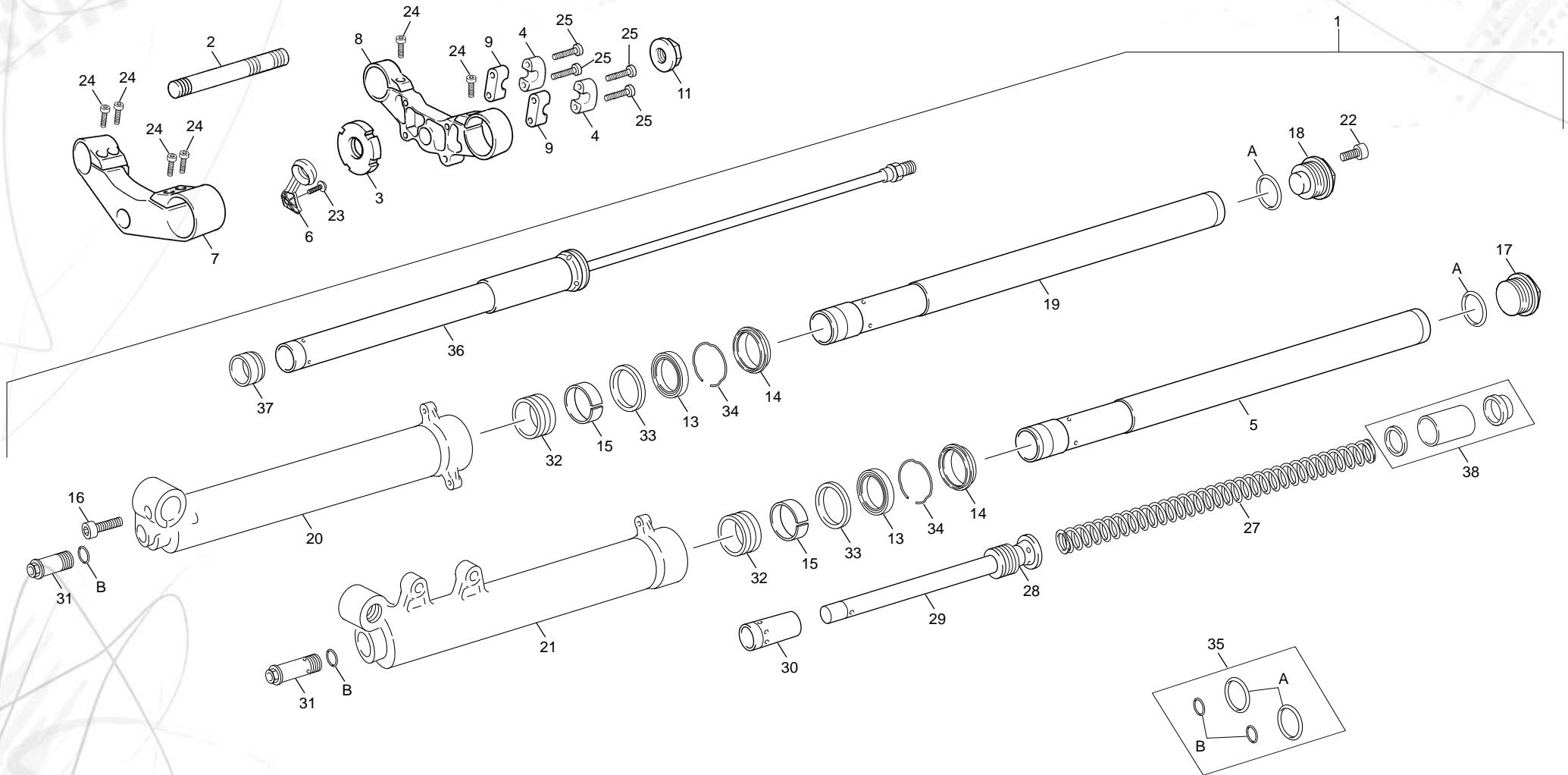
18



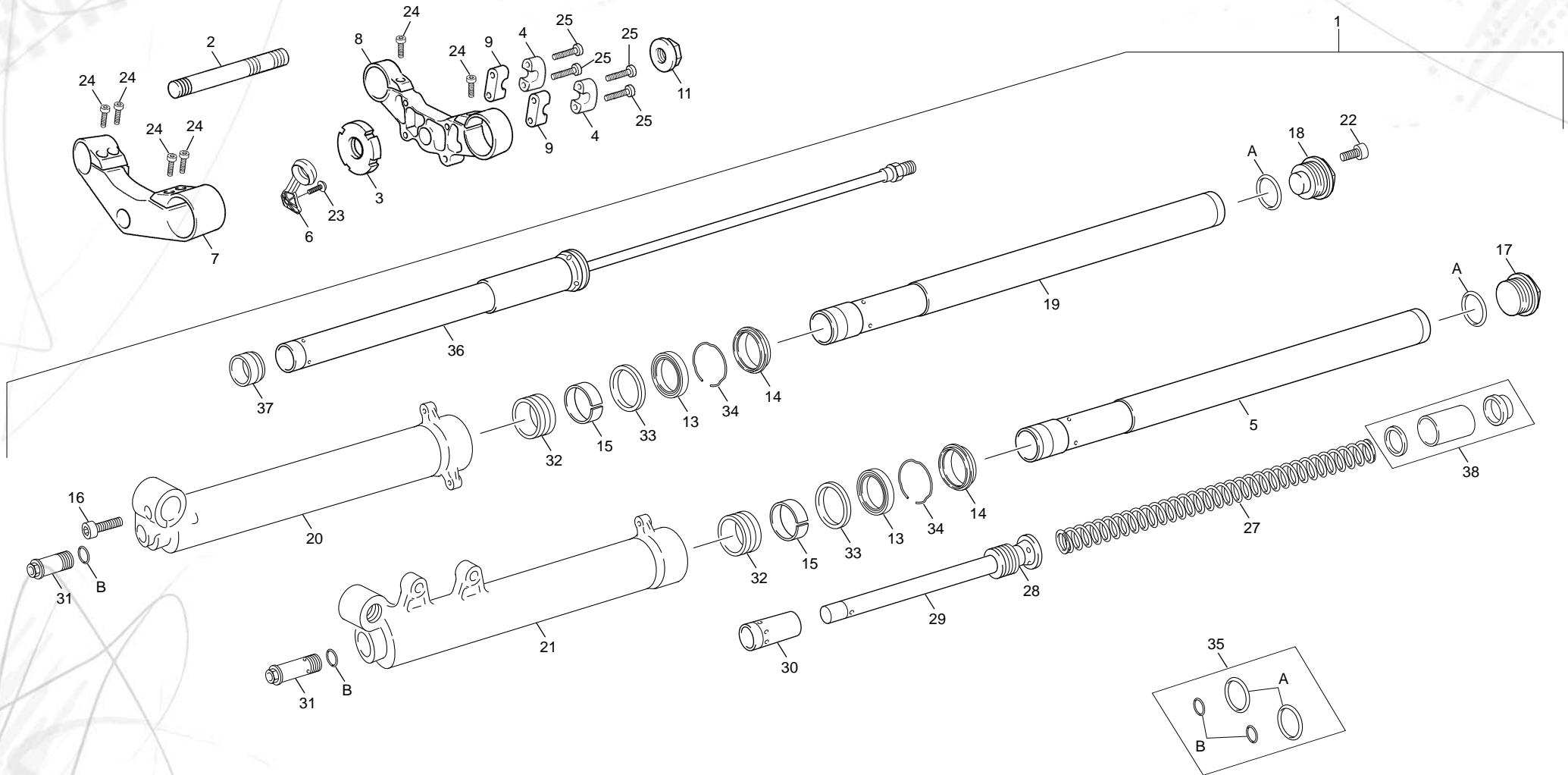
PG. 48-51



POS.	1.2	2.5	3.0	FRANÇAIS	ENGLISH	ESPAÑOL
1	5478	5478	5478	CADRE TRIAL 2T ORANGE SCORPA	FRAME TRIAL 2T ORANGE SCORPA	CHASIS TRIAL 2T NARANJA SCORPA
2	4549	4549	4549	PATE FIXATION CYLINDRE 2.5/2.9 NOIRE	CLINDER SUPPORT 2.5/2.9 BLACK	TIRANTE CILINDRO 2.5/2.9 NEGRO
3	5469	5469	5469	SABOT MOTEUR SCORPA 2015	ENGINE GUARD SCORPA 2015	PROTECTOR CARTER SCORPA 2015
4	3582	3582	3582	CAOUTCHOUC MOTEUR 2012	BASH PLATE RUBBER 2012	CAUCHO PLACA MOTOR 2012
5	4547	4547	4547	REPOSE PIED DROITE TR NOIRE	RIGHT FOOTPEG TR BLACK	ESTRIBERA DERECHA TR NEGRA
6	4548	4548	4548	REPOSE PIED GAUCHE TR NOIRE	LEFT FOOTPEG TR BLACK	ESTRIBERA IZQUIERDA TR NEGRA
9	C009	C009	C009	ROULEMENT COLONNE DIRECTION R32004	STEERING BEARING R32004	RODAMIENTO DIRECCION R32004
10	C010	C010	C010	BAGUE DE PROTECTION HAUTE PLASTIC	PLASTIC DUST COVER	GUARDA POLVO SUPERIOR PLASTIC
11	C011	C011	C011	BAGUE DE PROTECTION BASSE	FORK ALUMINIUM WHASHER	ARANDELA GUARDA POLVO INF
13	M296	M296	M296	AXE MOTEUR AV 10X116 ZI.NII.TR.	FRONT PIN ENGINE 10X116 ZI.NII.TR.	TORNILLO MOTOR 10X116 ZI.NII.TR.
17	C393	C393	C393	ADESIF MINERVA S/PLOMB 98	PETROL MINERVA STICKER 98	ADHESIVO MINERVA S/PLOMO 98
18	M263	M263	M263	VIS CHC 8 X 40 0084 ZN NI TR - TL 180°	SCREW CHC 8 X 40 ZN NI TR - TL 180°	TORNILLO 8 X 40 ALLEN ZN NI TR - TL 180°
19	M264	M264	M264	VIS CHC 8 X 45 0084 ZN NI TR	SCREW CHC 8 X 45 ZN NI TR	TORNILLO 8 X 45 ALLEN ZN NI TR
20	M396	M396	M396	VIS CHC M10 X 80 ZN NI TR	SCREW CHC M10 X 80 ZN NI TR	TORNILLO CHC M10 X 80 ZN NI TR
21	M301	M301	M301	VIS FHC 8 X 20 1089 ZN NI TR	SCREW FHC 8 X 20 ZN NI TR	TORNILLO AVELLANADO M 8 X 20 ZN NI TR
22	M304	M304	M304	ECROU NYLSTOP M10 0368.10	NUT NYLSTOP M10	TUERCA NYLSTOP M10
23	M305	M305	M305	ECROU NYLSTOP M8 0368.8	NUT NYLSTOP M8	TUERCA NYLSTOP M8
25	M281	M281	M281	VIS BHC 8 X 12 1093 ZN NI TR - TL 180°	SCREW BHC 8 X 12 ZN NI TR - TL 180°	TORNILLO 8 X 12 ULS ZN NI TR - TL 180°
26	C165	C165	C165	BOUCHON AXE BRAS OSCILLANT DIAM 35	COVER SWING ARM AXLE DIAM 35	TAPON EJE BASCULANTE DIAM 35
27	3021	3021	3021	RONDELE M10 BL DIN 7980	WASHER M10 BL DIN 7980	ARANDELA M10 BL DIN 7980
32	4872	4872	4872	RESSORTS REPOSE PIEDS TRIAL JEU	FOOTPEG SPRINGS KIT	MUELLES ESTRIBERAS JUEGO
33	M316	M316	M316	RONDELLE X 8 1405 08 ZN NI TR	WASHER X 8 ZN NI TR	ARANDELA 8 DIN 125 A ZN NI TR
34	M315	M315	M315	RONDELLE X 10 1405 010 ZN NI TR	WASHER X 10 ZN NI TR	ARANDELA X 10 DIN 125 A ZN NI TR
35	M282	M282	M282	VIS BHC 6 X 10 1093 ZN NI TR	SCREW BHC 6 X 10 ZN NI TR	TORNILLO 6 X 10 BHC ZN NI TR
36	M251	M251	M251	VIS CHC 6 X 16 0084 ZN NI TR	SCREW CHC 6 X 16 ZN NI TR	TORNILLO 6 X 16 DIN 912 ZN NI TR
37	6655	6655	6655	PATIN PROTECTEUR CADRE	FRAME PROTECTOR SLIDER	PATIN PROTECTOR CHASIS
38	6654	6654	6654	ENTRETOISE PROTECTEUR CADRE	FRAME PROTECTOR BRUSH	CASQUILLO PROTECTOR CHASIS
39	6657	6657	6657	ADHESIF BUTEE PROTECTION CADRE JEU	STICKER FRAME PROTECTOR BOLCK KIT	ADHESIVO JUEGO TOPE DIRECCION
40	6656	6656	6656	BUTEE PROTECTION CADRE JEU	FRAME PROTECTOR BOLCK KIT	JUEGO TOPE DIRECCION
41	1432	1432	1432	RONDELLE AET 8	WASHER X AET 8	ARANDELA AET 8
42	6658	6658	6658	VIS FHC 8 X 25 ZN NI TR	SCREW FHC 8 X 25 ZN NI TR	TORNILLO AVELLANADO M 8 X 25 ZN NI TR

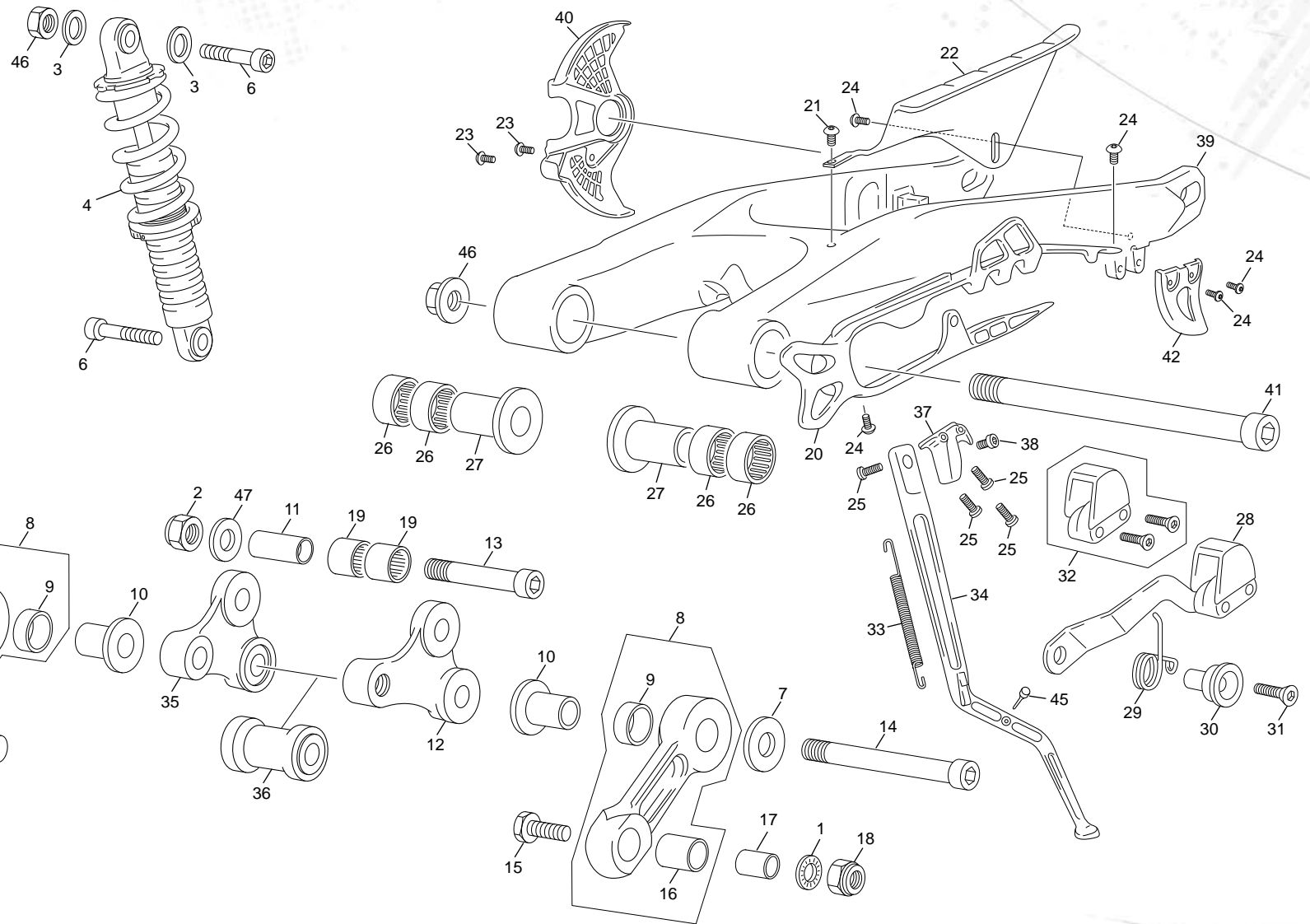


POS.	1.2	2.5	3.0	FRANÇAIS	ENGLISH	ESPAÑOL
<b>1</b>	3379	3379	3379	GROUPE JAMBES TS CPL TRIAL	GROUP I SWEEP TS CPL TRIAL	GRUPO BARRAS TS CPL TRIAL
<b>2</b>	1166	1166	1166	AXE ALUMINIUM COLONE	AXIS ALUMINIUM DIRECTION PIPE	EJE ALUMINIO PIPA
<b>3</b>	5386	5386	5386	RONDELLE ECROU ALU AXE DIRECTION LEGER	TOP TRIPLE CLAMP ALUMINIUM NUT LIGHT	TUERCA FIJACION ALU LIGERO
<b>4</b>	4554	4554	4554	BRIDE GUIDON SUPERIEURE GRAPHITE TS 39	BRIDE SUP HANDLE BAR GRAPHITE TS 39	BRIDA SUPERIOR MANILLAR GRAFITO TS 39
<b>5</b>	4256	4256	4256	GROUPE TUBE FOURCHE GAUCHE TS	GROUP STANGHON TUBE LEFT TS	GRUPO TUBO HORQUILLA IZQUIERDA TS
<b>6</b>	2359	2359	2359	GUIDE DURITE FREIN AV 2010	GUIDE FRONT BRAKE HOSE 2010	GUIA LATIGUILLO FRENO DEL 2010
<b>7</b>	4557	4557	4557	T FOURCHE INF GRAPHITE TS 39	BOTTOM PLAT FORK GRAPHITE TS 39	PLATINA INF HORQUILLA GRAFITO TS 39
<b>8</b>	4556	4556	4556	T FOURCHE SUP GRAPHITE TS 39	UPPER PLAT FORK GRAPHITE TS 39	PLATINA SUP HORQUILLA GRAFITO TS 39
<b>9</b>	4555	4555	4555	BRIDE GUIDON INFERIEURE GRAPHITE TS 39	BRIDE INF HANDLEBAR GRAPHITE TS 39	BRIDA INFERIOR MANILLAR GRAFITO TS 39
<b>11</b>	R108	R108	R108	ECROU ALU AXE FOURCHE 2000 949125051	ALUMINIUM NUT FOR FRONT FORK AXLE	TUERCA EJE 2000
<b>13</b>	3662	3662	3662	JOINT SPIE DE FOURCHE TS	FORK OIL SEAL TS	RETEN SUSPENSION DEL TS
<b>14</b>	3661	3661	3661	PARE POUSSIERE FOURCHE TS	O-RING FORK TS	GUARDA POLVO HORQUILLA TS
<b>15</b>	3663	3663	3663	DU TUBE FOURCHE TS	DU FRICTION TUB TS	DU TUBO TS
<b>16</b>	3673	3673	3673	VIS THC M8X18 DIN 7984	SCREW M8X18 DIN 7984	TORNILLO M8X18 DIN 7984
<b>17</b>	3664	3664	3664	BOUCHON FOURCHE GAUCHE OR TS	LEFT FORK PLUG GOLD TR TS	TAPON HORQUILLA IZQ ORO TR TS
<b>18</b>	3665	3665	3665	BOUCHON FOURCHE DROITE OR TR TS	PLUG RIGHT FORK GOLD TR TS	TAPON DERECHO HORQUILLA ORO TR TS
<b>19</b>	3668	3668	3668	GROUPE TUBE FOURCHE DROITE TS	GROUP STANGHON TUBE RIGHT TS	GRUPO TUBO HORQUILLA DERECHO TS
<b>20</b>	3667	3667	3667	JAMBE DROITE TS	RIGHT SIDE FORK TS	BOTELLA DER TS
<b>21</b>	3666	3666	3666	JAMBE GAUCHE TS	LEFT SIDE FORK TS	BOTELLA IZQ TS
<b>22</b>	3674	3674	3674	VIS BLOCAGE POMPANTE HYDRAULIQUE	SCREW STOPER HYDRAULIC POMP	TORNILLO BLOCAGE BOMBA HIDRAULICA
<b>23</b>	2937	2937	2937	VIS BHC 5 X8 ISO 7380 ZN NI TR	SCREW BHC 5 X8 ZN NI TR	TORNILLO ULS 5 X 8 ISO 7380 ZN NI TR
<b>24</b>	M251	M251	M251	VIS CHC 6 X 16 0084 ZN NI TR	SCREW CHC 6 X 16 ZN NI TR	TORNILLO 6 X 16 DIN 912 ZN NI TR
<b>24</b>	M261	M261	M261	VIS CHC 8 X 20 0084	SCREW CHC 8 X 20	TORNILLO 8 X 20 ALLEN
<b>25</b>	1237	1237	1237	VIS CHC 8 X 55 0084 ZN NI TR	SCREW CHC 8 X 55 ZN NI TR	TORNILLO 8 X 55 ALLEN ZN NI TR
<b>27</b>	4411	4411	4411	RESSORT DE FOURCHE TECH	FORK SPRING TECH	MUELLE HORQUILLA TECH
<b>28</b>	4412	4412	4412	SUPPORT ANEAU BUTEE RESSORT	SUPPORT RING FOR SPRING LIMIT	SOPORTE ANILLO TOPE MUELLE
<b>29</b>	4413	4413	4413	GROUPE POMPANTE TS	GROUP MECHANICAL POUMPING TS	GRUPO POMPANTE TS
<b>30</b>	4417	4417	4417	CONE BUTEE GAUCHE	CONE LIMIT LEFT	CONO TOPE IZQUIERDO
<b>31</b>	4414	4414	4414	GROUPE REGULATION AIGUILLE	NEEDLE REGULATION GROUP	GRUPO REGULACION AGUJA
<b>32</b>	4422	4422	4422	DU 38X40X20 TS	BUSH DU 38X40X20 TS	DU 38X40X20 TS
<b>33</b>	4421	4421	4421	RONDELE TENUE ANEAU TS	RING STOP BUSHING OIL SEAL TS	ARANDELA RETENCION ANILLO TS
<b>34</b>	4420	4420	4420	ANEAU JOINT SPIE TS	RING STOPPER OIL SEAL TS	ANILLO RETENCION RETEN TS

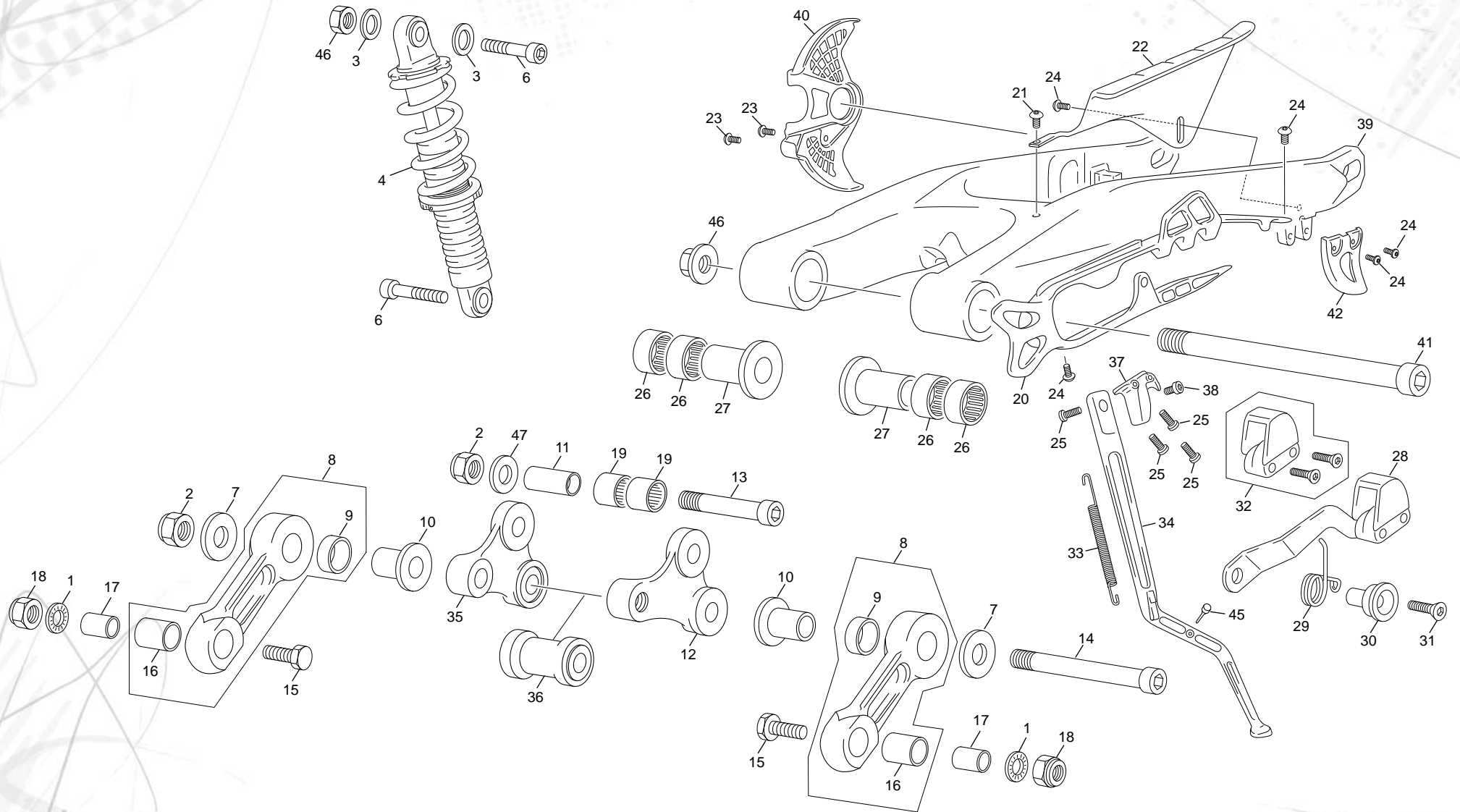




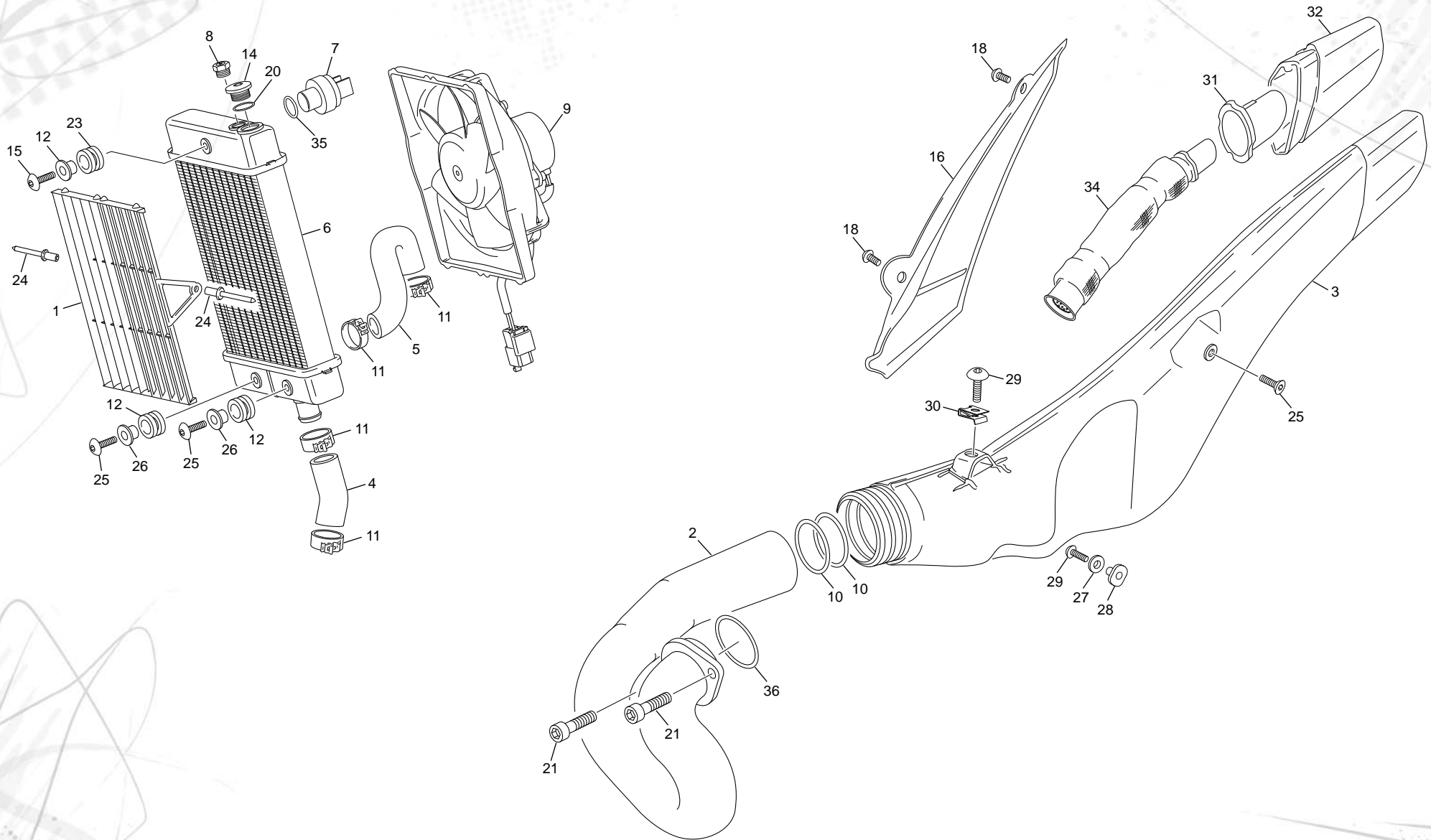




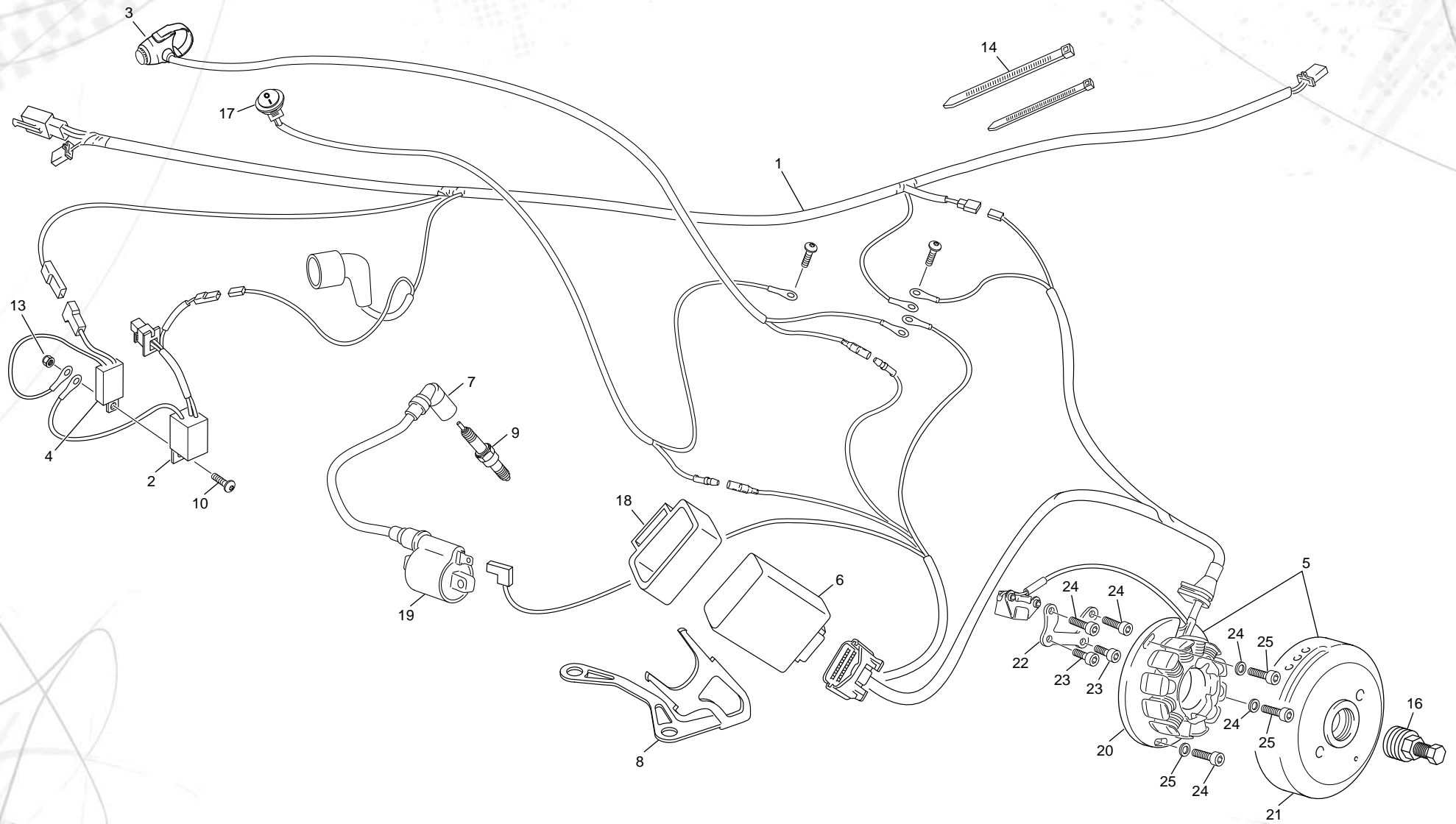
POS.	1.2	2.5	3.0	FRANÇAIS	ENGLISH	ESPAÑOL
1	1432	1432	1432	RONDELLE AET 8	WASHER X AET 8	ARANDELA AET 8
2	M304	M304	M304	ECROU NYLSTOP M10 0368.10	NUT NYLSTOP M10	TUERCA NYLSTOP M10
3	M315	M315	M315	RONDELLE X 10 I405 010 ZN NI TR	WASHER X 10 ZN NI TR	ARANDELA X 10 DIN I25 A ZN NI TR
4	5491	5491	5491	AMORTISSEUR TRIAL R16V 2015	REAR SHORK TRIAL R16V 2015	AMORTIGUADOR TRIAL R16V 2015
6	C173	C173	C173	AXE M10 X 46 ZN NI TR - TL 180°	PIN M10 X 46 ZN NI TR - TL 180°	EJE M10 X 46 ZN NI TR - TL 180°
6	C407	C407	C407	VIS CHC M10 X 45 12.9	SCREW M10 X 45 12.9	TORNILLO M10 X 45 DIN 912 12.9
7	6621	6621	6621	RONDELLE 10 X 30 X 2.5 BELEVILLE ZN NI TR	WASHER 10 X 30 X 2.5 COUNTERSUNK ZN NI TR	ARANDELLA 10 X 30 X2.5 DIN 9021 EMBUTIDA ZN NI TR
7	M320	M320	M320	RONDELLE 10 X 30 X 2.5 0416 ZN NI TR	WASHER 10 X 30 X 2.5 ZN NI TR	ARANDELLA 10 X 30 X2.5 DIN 9021 ZN NI TR
8	3447	3447	3447	BIELETTE TIRANT SIMPLE TRIAL 2012	REAR SUSPENSION LINK TRIAL 2012	BIELETA SUSPENSION TRIAL 2012
9	2945	2945	2945	DOUILLE FRICTION 16X18X15	BEARING FRICTION 16X18X15	COJINETE FRICCION 16X18X15
10	C171	C171	C171	ENTRETOISE TIRANT EPAULEE	LINK SPACER	CASQUILLO BIELETA CON ARANDELA
11	C152	C152	C152	ENTRETOISE SUSPENSION	SPACER SUSPENSION	CASQUILLO SUSPENSION
12	3445	3445	3445	BIELETTE DELTA SEMI G TRIAL 2012	REAR SUSPENSION HALF L DELTA LINK TRIAL 2012	TRAPECIO SUSPENSION SEMI I TRIAL 2012
13	C174	C174	C174	AXE 10 X 72 12.9 ZN NI TR - TL 180°	PIN 10 X 72 12.9 ZN NI TR - TL 180°	EJE 10 X 72 12.9 ZN NI TR - TL 180°
14	C172	C172	C172	AXE 10 X 120 12.9 ZN NI TR - TL 180°	PIN 10 X 120 12.9 ZN NI TR - TL 180°	EJE 10 X 120 12.9 ZN NI TR - TL 180°
15	C175	C175	C175	VIS HEXA TETE BASSE 8.8 ZN NI TR	SPECIAL HEAD SCREW HEX 8.8 ZN NI TR	TORNILLO HEX C/REBAJADA 8.8 ZN NI TR
16	2946	2946	2946	DOUILLE FRICTION 14X16X15	BEARING FRICTION 14X16X15	COJINETE FRICCION 14X16X15
17	C170	C170	C170	ENTRETOISE TIRANT	LINK SPACER	CASQUILLO BIELETA
18	M304	M304	M304	ECROU NYLSTOP M10 0368.10	NUT NYLSTOP M10	TUERCA NYLSTOP M10
18	M305	M305	M305	ECROU NYLSTOP M8 0368.8	NUT NYLSTOP M8	TUERCA NYLSTOP M8
19	C167	C167	C167	DOILLER AIGUILLE BRAS/SUSP HK 16X20X2RS	BEARING HK 16202RS	CASQUILLO AGUJAS BASCU/SUSP HK16202RS
20	1207	1207	1207	PATIN DE CHAINE 07 TRIAL	CHAIN GUIDE PLATE 07 TRIAL	PATIN CADENA 07 TRIAL
21	M258	M258	M258	VIS BHC 5 X 16 1093 ZN NI TR	SCREW BHC 5 X 16 ZN NI TR	TORNILLO 5 X 16 ULS ZN NI TR
22	1208	1208	1208	CARTER DE CHAINE 07	CHAIN PROTECTOR 07	CUBRE CADENAS 07
23	M282	M282	M282	VIS BHC 6 X 10 1093 ZN NI TR	SCREW BHC 6 X 10 ZN NI TR	TORNILLO 6 X 10 BHC ZN NI TR
24	M278	M278	M278	VIS BHC 5 X 10 1093 ZN NI TR	SCREW BHC 5X10 ZN NI TR	TORNILLO 5 X 10 ULS ZN NI TR
25	M281	M281	M281	VIS BHC 8 X 12 1093 ZN NI TR - TL 180°	SCREW BHC 8 X 12 ZN NI TR - TL 180°	TORNILLO 8 X 12 ULS ZN NI TR - TL 180°
26	C151	C151	C151	DOUILLE AIGUILLE BRAS HK 20X20X2 RS	BEARING HK 20X20X2RS	CASQUILLO AGUJAS BASCULANTE HK20X20X2RS
27	C153	C153	C153	ENTRETOISE ARTICULATION BRAS	SPACER SWING ARM	CASQUILLO EJE BASCULANTE
28	C164	C164	C164	TENDEUR DE CHAINE	CHAIN TENSIONER	SENSOR CADENA
29	R205	R205	R205	RESSORT TENDEUR DE CHAINE	SPRING CHAIN TENSIONER	MUELLE TENSOR CADENA
30	R206	R206	R206	ENTRETOISE TENDEUR DE CHAINE	SPECER CHAIN ADJUST	CASQUILLO TENSOR CADENA





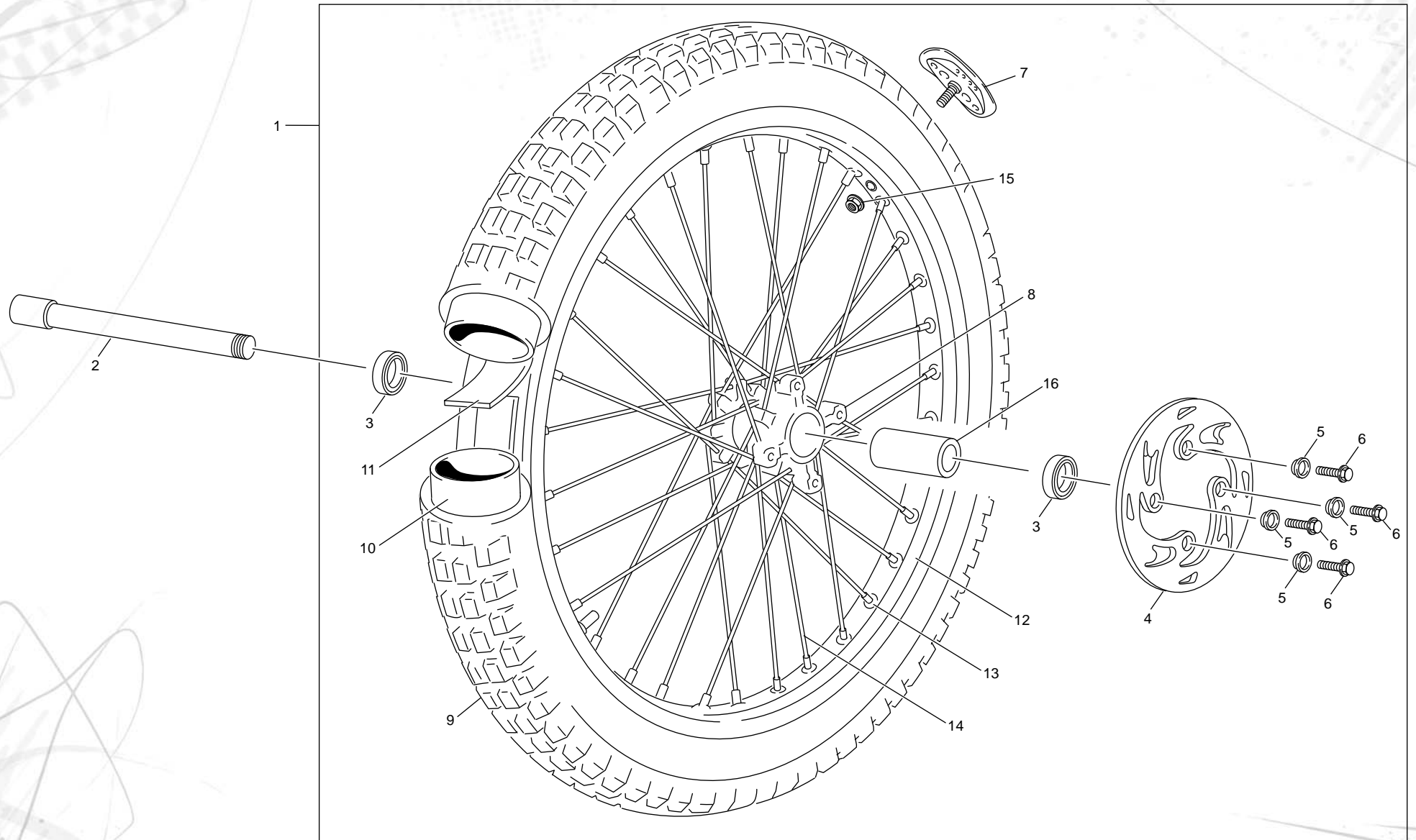


POS.	1.2	2.5	3.0	FRANÇAIS	ENGLISH	ESPAÑOL
<b>1</b>	3773	3773	3773	GRILLE RADIATEUR 12	RADIATOR PROTECTOR 12	REJILLA RADIADOR 12
<b>2</b>	5621	5621	5621	TUBE ECHAPPEMENT IN CONIQUE +40	EXHAUST PIPE IN CONIC +40	CURVA DE ESCAPE IN CONICA +40
<b>3</b>	5510	5510	5510	POT CENTRAL ALU SC/SH	EXH CENTRAL ALU SC/SH	SILENCIOSO CENTRAL ALU SC/SH
<b>4</b>	5475	5475	5475	DURITE CARTER RADIATEUR TR SC/SH	RUBBER TUBE CRANKSHAFT/RADIATOR TR SC/SH	MANGUITO CARTER/RADIADOR TR SC/SH
<b>5</b>	5474	5474	5474	DURITE CULASSE RADIATEUR TR SC/SH	RUBBER CILYNDER HEAD RADIATOR TR SC/SH	MANGUITO CULATA/RADIADOR TR SC/SH
<b>6</b>	3127	3127	3127	RADIATEUR 2T 2011	RADIATOR 2S 2011	RADIADOR 2T 2011
<b>7</b>	2256	2256	2256	THERMOCONTACT 2T 2010 75-68	THERMOSTAT 2T 2010 75-68	TERMOCONTACTO 2T 2010 75-68
<b>8</b>	2269	2269	2269	VALVE PRESSION RADIATEUR	PRESSION VALVE RADIATOR	VALVULA PRESSION RADIADOR
<b>9</b>	1523	1523	1523	VENTILATEUR COMEX 120	FAN DIAM COMEX 120	VENTILADOR COMEX 120
<b>10</b>	C104	C104	C104	JOINT TORIQUE POT CENTRAL 44 X 51 X 3,50	O-RING MIDDLE SILENCER 44 X 51 X 3,50	TORICA SILENCIADOR CENTRAL 44 X 51 X 3,50
<b>11</b>	5644	5644	5644	COLLIER DURITE NORMA 20	COLLARD NORMA 20	ABARAZADERA MANGUITOS 20
<b>12</b>	C118	C118	C118	SILENT BLOC RADIATEUR	SILENT-BLOC RADIATOR	SILENT-BLOC RADIADOR
<b>14</b>	2906	2906	2906	BOUCHON RADIATEUR TRIAL 2010	RADIATOR TAP TRIAL 2010	TAPON RADIADOR TRIAL 2010
<b>15</b>	M269	M269	M269	VIS BHC 6 X 20 CARROSSERIE ZN NI TR	SCREW BHC 6 X 20 CARROSSERIE ZN NI TR	TORNILLO 6 X 20 ESPECIAL CARROCERIA ZN NI TR
<b>16</b>	5509	5509	5509	PROTECTEUR ECHAPPEMENT SCORPA	EXHAUST COVER SCORPA	PROTECTOR ESCAPE SCORPA
<b>18</b>	2937	2937	2937	VIS BHC 5 X8 ISO 7380 ZN NI TR	SCREW BHC 5 X8 ZN NI TR	TORNILLO ULS 5 X 8 ISO 7380 ZN NI TR
<b>20</b>	M168	M168	M168	TORIQUE 14 X18X2	O RING 14X18X2	TORICA 14X18X2
<b>21</b>	M252	M252	M252	VIS CHC 6 X 20 0084 ZN NI TR	SCREW CHC 6 X 20 ZN NI TR	TORNILLO 6 X 20 DIN 912 ZN NI TR
<b>23</b>	3952	3952	3952	ENTRETOISE RADIATEUR	RADIATOR BRUSH	CASQUILLO RADIADOR
<b>24</b>	3772	3772	3772	RIVET ZEBRA 2.4 X 6 ALU	RIVET POP DIAM 2.4 X 6 ALU	REMACHE 2.4 X 6 ALU
<b>25</b>	M301	M301	M301	VIS FHC 8 X 20 1089 ZN NI TR	SCREW FHC 8 X 20 ZN NI TR	TORNILLO AVELLANADO M 8 X 20 ZN NI TR
<b>26</b>	3952	3952	3952	ENTRETOISE RADIATEUR	RADIATOR BRUSH	CASQUILLO RADIADOR
<b>27</b>	3194	3194	3194	CAUTCHOUC SILENTBLOCK	SILENTBLOCK RUBBER	CAUCHO SILENTBLOCK
<b>28</b>	3193	3193	3193	ENTRETOISE SILENTBLOCK	BUSH SILENTBLOCK	CASQUILLO SILENTBLOCK
<b>29</b>	M345	M345	M345	VIS BHC 6X12 ISO 7380 10.9 ZN NI TR-TL 180° CARRO	SCREW BHC 6X12 ISO 7380 10.9 ZN NI TR-TL 180° B	TORNILLO BHC 6X12 ISO 7380 10.9 ZN NI TR - TL 180
<b>30</b>	M308	M308	M308	ECROU CLIP M6 0500500400	NUT CLIP M6	TUERCA CLIP M6
<b>31</b>	5577	5577	5577	GOME INTERIEUR CONE SORTIE SILENCIEUX TR 14	INTERNAL RUBBER CONE EXHAUST SILENCER TR 14	GOMA INTERIOR CONO SALIDA SILENCIADOR TR 14
<b>32</b>	5127	5127	5127	CONE SORTIE SILENCIEUX TR 14	CONE EXHAUST SILENCER TR 14	CONO SALIDA SILENCIADOR TR 14
<b>34</b>	5487	5487	5487	CANE DE RECHANGE SILENCIEUX TR SHERCO	TUBE SPARE PARTS EXHAUST TR SHERCO	CAÑA DE RECAMBIO SILENCIOSO TR SHERCO
<b>35</b>	M651	M651	M651	JOINT 13.10 X 1.6 SORTIE EAU 4T TRIAL	WATER EXIT O SEAL 13.10 X 1.6 4T TRIAL	TORICA 13.105 X 1.6 TUBO SALIDA AGUA 4T TRIAL
<b>36</b>	C122	C122	C122	JOINT CUIVRE 38X44X2.5 0462	GASKET RING 38X44X2.5	JUNTA COBRE 38X44X2.5

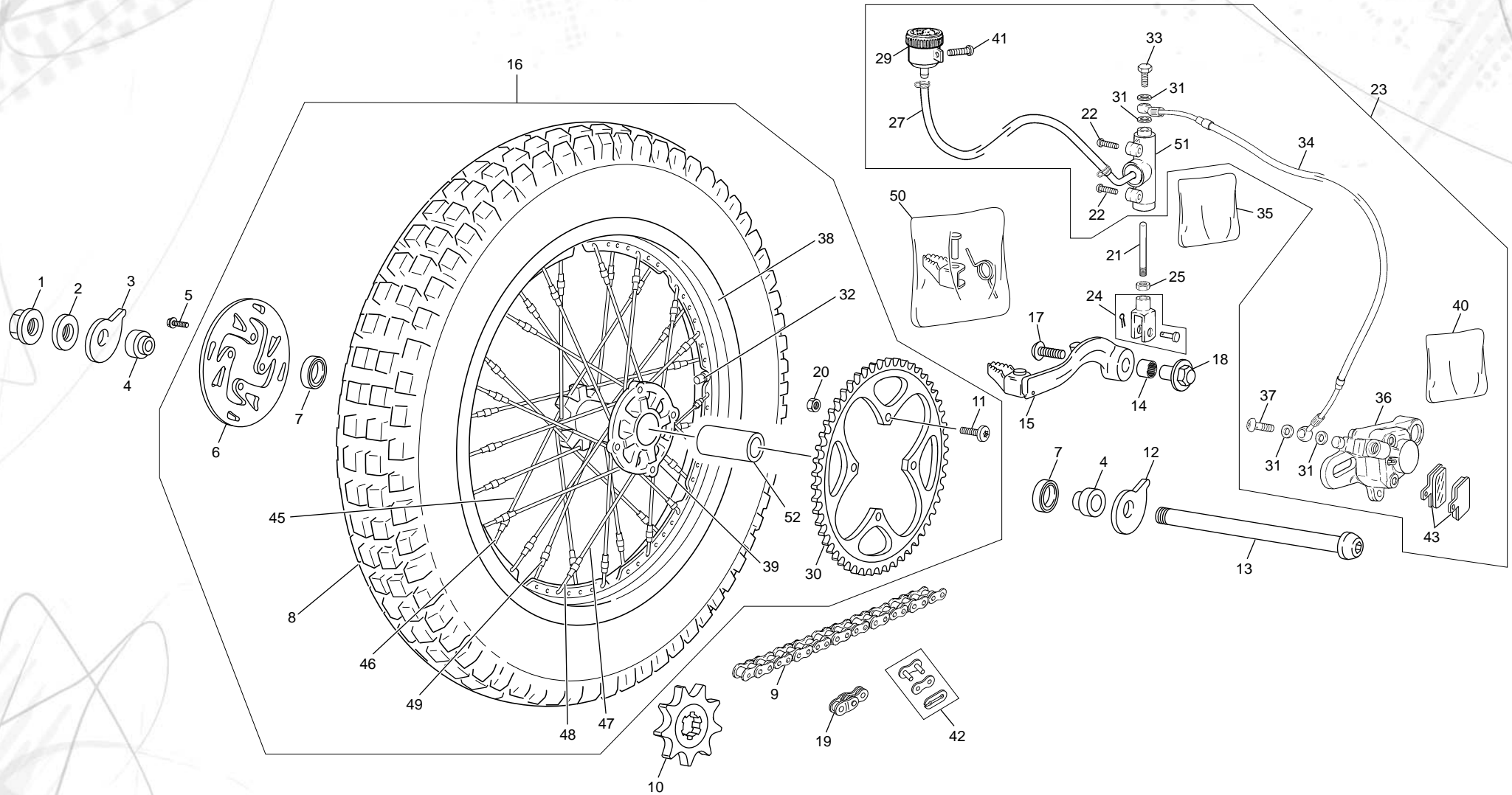




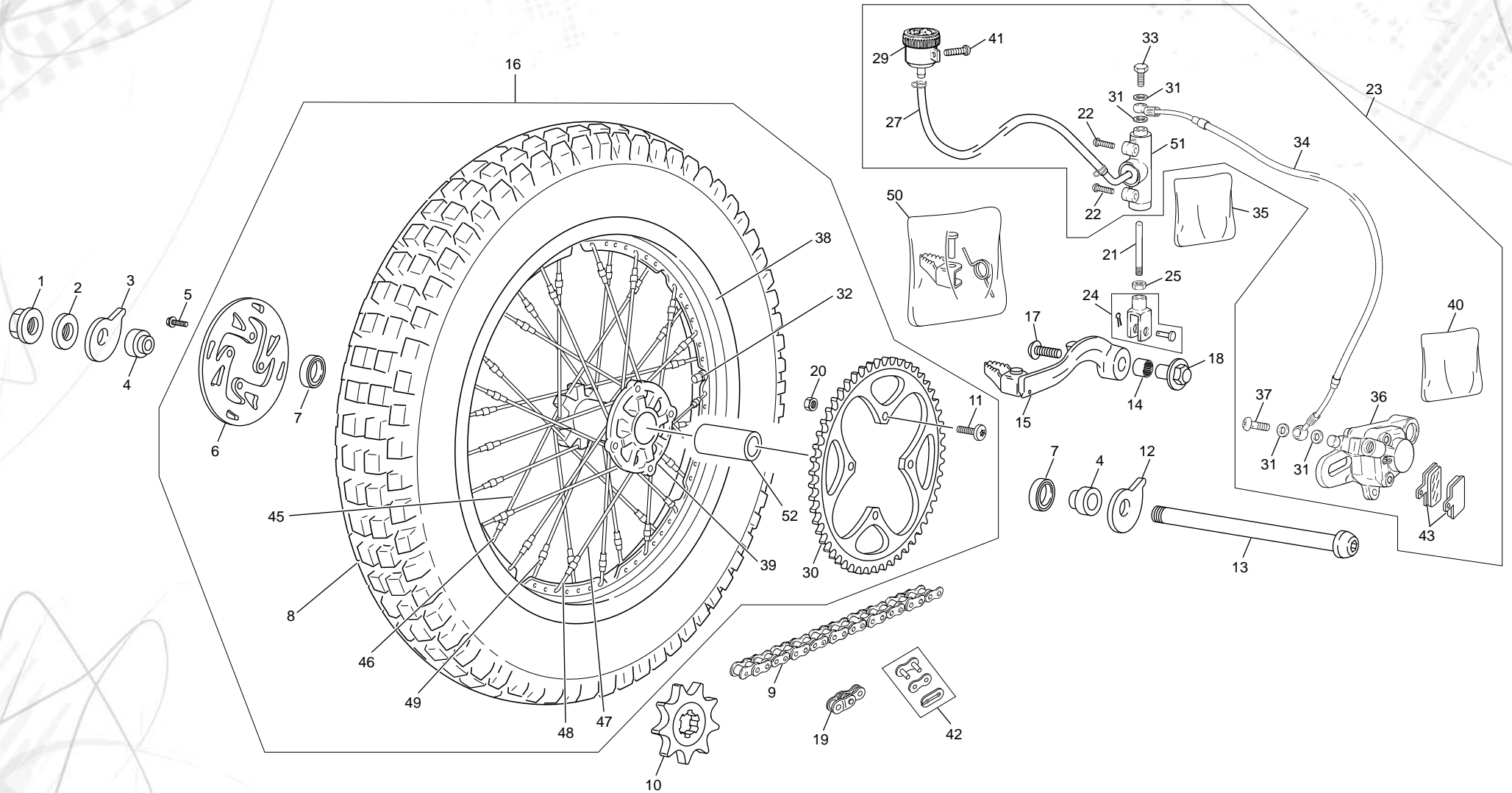




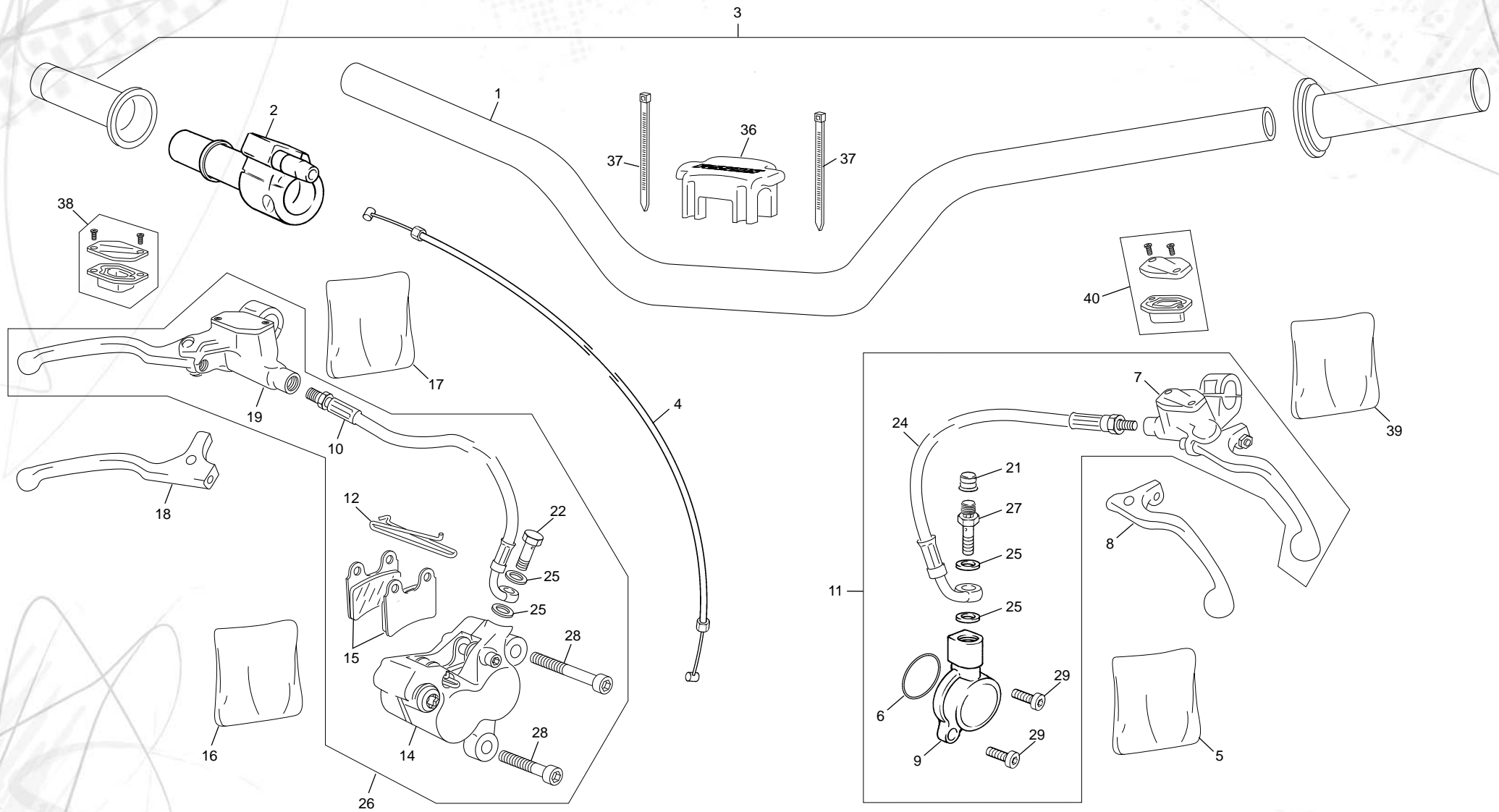




POS.	1.2	2.5	3.0	FRANÇAIS	ENGLISH	ESPAÑOL
1	C253	C253	C253	ECROU ROUE ARRIERE	REAR AXLE NUT	TUERCA EJE RUEDA TRASERA
2	M314	M314	M314	RONDELLE X 16 I405 016 ZN NI TR	WASHER X 17 ZN NI TR	ARANDELA X 17 ZN NI TR
3	4595	4595	4595	EXCENTRIQUE DROIT NOIRE TENDEUR CHAINE	RUNNER CHAIN BLACK	EXCENTRICA DERECHA NEGRA
4	C255	C255	C255	ENTRETOISE ROUE ARRIERE	REAR BRUSH	SEPARADOR RUEDA TRASERA
5	C452	C452	C452	VIS HEXAGONAL EPAULE M6 X 18	SCREW EXAGONAL M6 X 18	TORNILLO EXAGONAL M6 X 18
6	2002	2002	2002	DISQUE FREIN ARRIERE TR	REAR DISC TR	DISCO FRENO TRASERO TR
7	0175	0175	0175	ROULEMENTS A BILLES 6004.2RSH/C3	BERING BALL 6004.2RSH/C3	COJINETE 6004.2RSH/C3
8	C251	C251	C251	PNEU ARRIERE X11 400X18	REAR TYRE X11 400 X 18	NEUMATICO TRAS. X11 400 X 18 TUBELESS
9	3376	3376	3376	CHAINE 103M	CHAIN 103M	CADENA 103M
10	NEW	M227	M227	PIGNON 9 D	SPROCKET 9 T	PINON 9 D
11	M287	M287	M287	VIS BHC 8 X 22	SCREW BHC 8 X 22	TORNILLO BHC 8 X 22
12	4596	4596	4596	EXCENTRIQUE GAUCHE NOIRE TENDEUR CHAINE	LEFT REAR AXLE EXCENTRIC BLACK	EXCENTRICA IZQUIERDA NEGRA
13	4594	4594	4594	AXE ROUE ARRIERE NOIR	AXELE BACK WEEL BLACK	EJE RUEDA TRAS NEGRO
14	2299	2299	2299	DOUILLE BRONZE PEDALE FREIN TR	BEARING	CASQUILLO BRONCE PEDAL FRENO TR
15	4560	4560	4560	PEDALE DE FREIN NOIR	REAR BRAKE PEDAL BLACK	PEDAL FRENO TRASERO NEGRO
16	NEW	5471	5471	ROUE ARRIERE TR SCORPA + MOYEU ORANGE	BACK WEEL TITANIUM SCORPA + MOYEU ORANGE	RUEDA TRAS TITANIO SCORPA + BUJE NARANJA
17	M280	M280	M280	VIS BHC 8 X 16 1093 ZN NI TR - TL 180°	SCREW BHC 8 X 16 ZN NI TR - TL 180°	TORNILLO 8 X 16 ULS ZN NI TR - TL 180°
18	5076	5076	5076	ENTRETOISE PEDALE DE FREIN INTEGRALE	SPACER BRAKE PEDAL INTEGRAL	CASQUILLO PEDAL DE FRENO INTEGRAL
19	C304	C304	C304	1/2 MAILLON DE CHAINE	HALF COMPLING CONNECTION	MEDIA MALLA DE CADENA
20	M305	M305	M305	ECROU NYLSTOP M8 0368.8	NUT NYLSTOP M8	TUERCA NYLSTOP M8
21	C261	C261	C261	TIGE FREIN ARRIERE	PIN BRAKE ROD	TIJA PEDAL FRENO TRASERO
22	M283	M283	M283	VIS BHC 6 X 16 1093 ZI BL	SCREW BHC 6 X 16	TORNILLO 6 X 16 ULS CIN BLA
22	M284	M284	M284	VIS BHC 6 X 25 ACZI NOIRE ZN NI TR	SCREW BHC 6 X 25 NEGRO ZN NI TR	TONILLO 6 X 25 ULS BLACK ZN NI TR
23	C321	C321	C321	GROUPE FREIN ARRIERE	REAR BRAKE COMPLETE	CTO FRENO TRASERO
24	C259	C259	C259	CHAPE PEDALE FREIN 0267	REAR BRAKE ROD	HORQUILLA PEDAL DE FRENO
25	M309	M309	M309	ECROU STANDARD M6 0317	NUT M6	TUERCA M6
27	R069	R069	R069	TUBE LIQUIDE FREIN BOCAL/POMPE L 210	OIL TANK TUBE L 210	TUBO LIQUIDO FRENO L 210
29	R066	R066	R066	BOCAL LIQUIDE FREIN	OIL TANK BRAKE	DEPOSITO LIQUIDO FRENO
30	NEW	6471	6471	COURRONE 53D 4 TROUS LEGERE NOIR	REAR SPROKET 53D LIGTH BLACK	CORONA 53D 4TROUS LIGERA NEGRA
31	R074	R074	R074	RONDELLE BANJO CUIVRE 10X14X1.5	WASHER COPPER 10X14X1.5	ARANDELLA BANJO COBRE 10X14X1.5
32	3631	3631	3631	VALVE AR JANTE NER	TUBELESS VALVE RIM NER	VALVULA LLANTA NERVIO
33	R059	R059	R059	VIS RACCORD M10 X 21 HEXA	LINK SCREW M10 X 21 HEXA	TORNILLO RACORD M10 X 21 HEXA

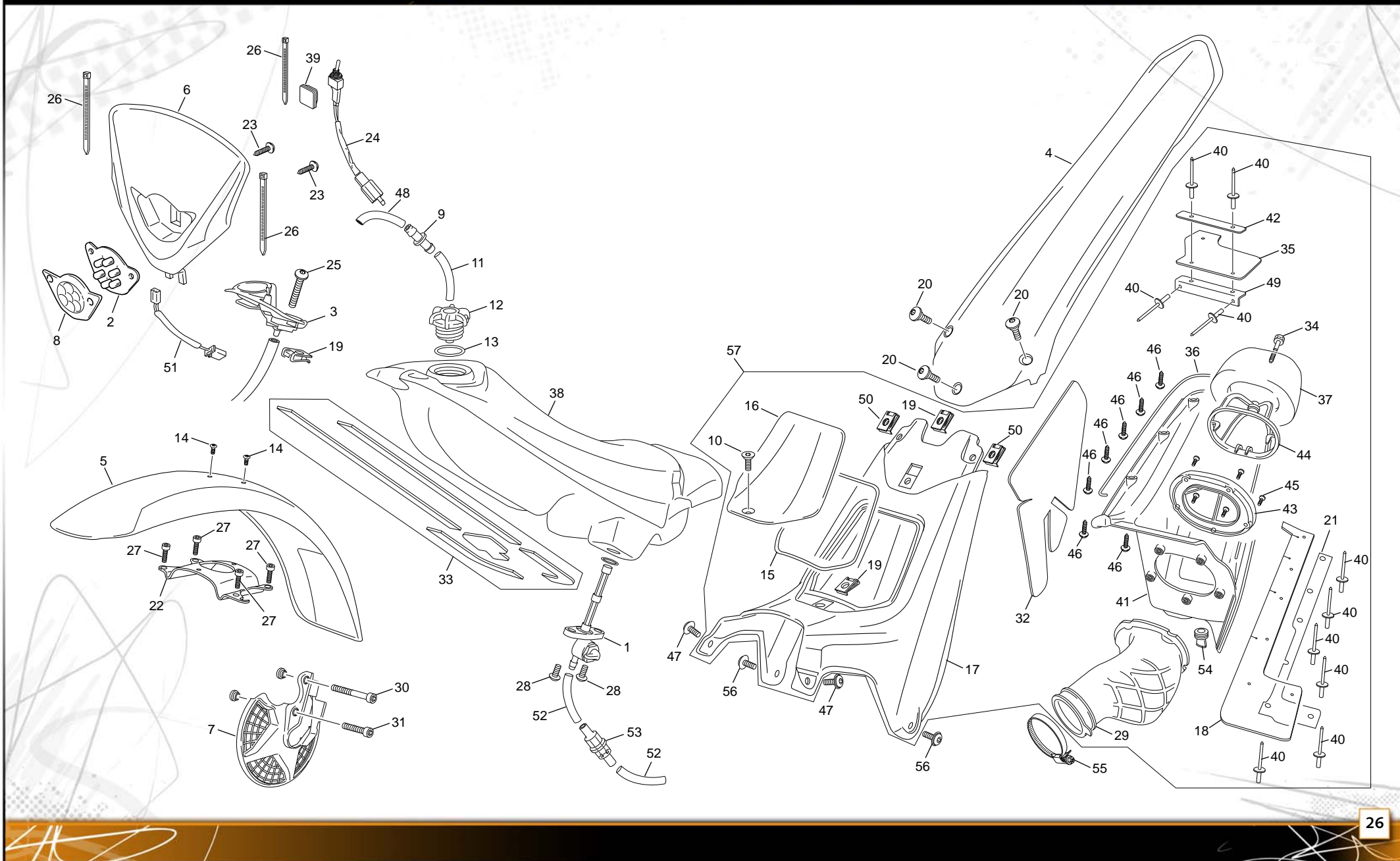




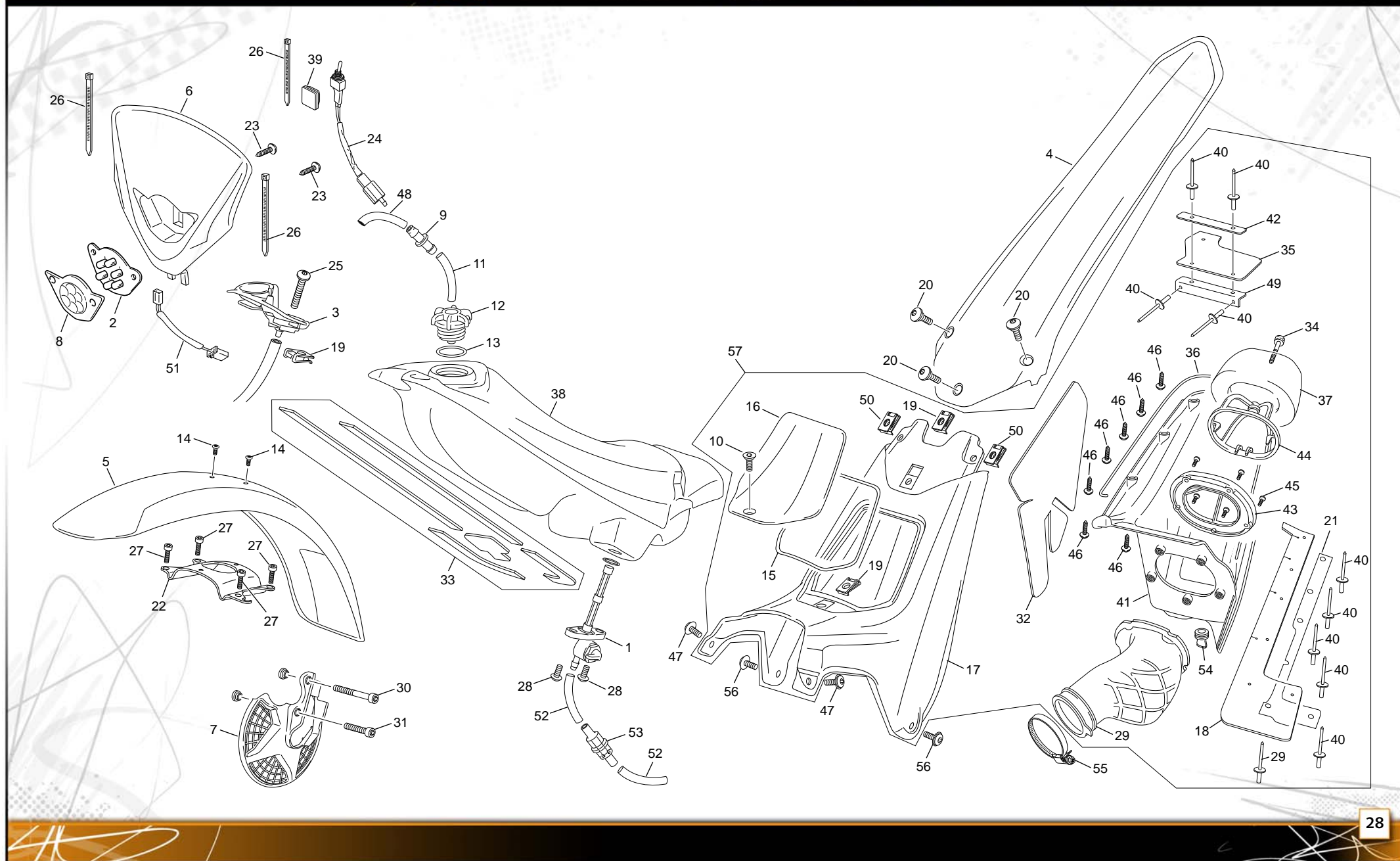




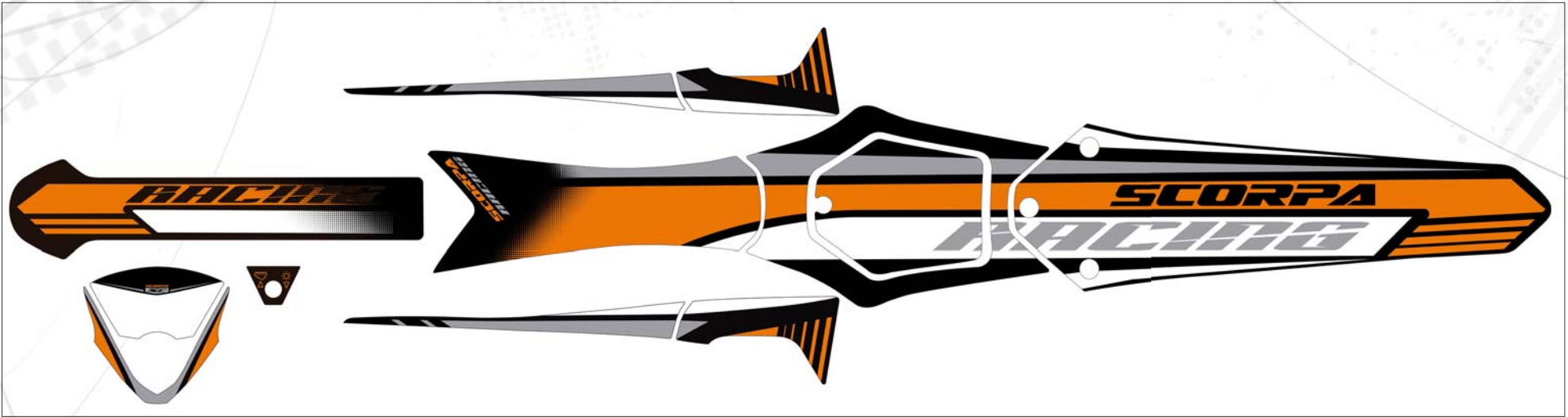
POS.	1.2	2.5	3.0	FRANÇAIS	ENGLISH	ESPAÑOL
<b>1</b>	5512	5512	5512	GUIDON TRIAL NOIR	HANDLEBAR TRIAL BLACK	MANILLAR TRIAL NEGRO
<b>2</b>	C074	C074	C074	COMMANDE DE GAZ OXIA	THROTTLE CONTROL OXIA	MANDO DE GAS OXIA
<b>3</b>	1662	1662	1662	POIGNEE CAOUTCHOUC PAIRE REA OXIA	GRIPS SET REA OXIA	JUEGO EMPUNADURAS REA OXIA
<b>4</b>	5546	5546	5546	CABLE DE GAZ KEIHIN SCORPA	THROTTLE CABLE KEIHIN SCORPA	CABLE DE GAS KEIHIN SCORPA
<b>5</b>	NEW	NEW	NEW			
<b>6</b>	NEW	NEW	NEW			
<b>7</b>	NEW	NEW	NEW			
<b>8</b>	5523	5523	5523	LEVIER EMBRAYAGE BRAKTEC	LEVER CLUCH BRAKTEC	MANETA EMBRAGUE BRAKTEC
<b>9</b>	NEW	NEW	NEW			
<b>10</b>	5531	5531	5531	DURITE FREIN AVANT BRAKTEC	FRONT BRAKE HOSE BRAKTEC	LATIGUILLO FRENO DELANTERO BRAKTEC
<b>11</b>	6412	6412	6412	GROUPE CPL EMB BRAKTEC ED	COMPLETE CLUTCH SET BRAKTEC ED	GRUPO EMBRAGUE COMPLETO BRAKTEC ED
<b>12</b>	R042	R042	R042	CLIP PLAQUETTES	CLIP PAD BRAKE	MUELLE PASTILLAS FRENO
<b>14</b>	5524	5524	5524	CORPS ETRIER FREIN AVANT DOUBLE PISTON BRAKTEC	BODY FRONT CALIPER 2 PISTON BRAKTEC	CUERPO PINZA FRENO DEL DOBLE PISTON BRAKTEC
<b>15</b>	C389	C389	C389	PLAQUETTES FREIN AVANT PAIRE 2002	FRONT PAD BRAK PAIR 2002	JUEGO PASTILLAS FRENO DEL JUEGO 2002
<b>16</b>	5525	5525	5525	KIT REPARATION PISTON POMPE BRAKTEC	PISTON KIT 10 MM BRAKTEC	KIT REPARACION PISTON BOMBA BRAKTEC
<b>17</b>	5517	5517	5517	KIT REPARATIONJ PISTON BRAKTEC	PISTON KIT 10 MM BRAKTEC	KIT REPARACION PISTON BOMBA BRAKTEC
<b>18</b>	5519	5519	5519	LEVIER FREIN AVANT BRAKTEC	FRONT BRAKE LEVER BRAKTEC	MANETA FRENO DEL BRAKTEC
<b>19</b>	NEW	NEW	NEW			
<b>21</b>	R058	R058	R058	CAPUCHON VIS DE PURGE	HOOD SCREW PURGE	TAPON SANGRADOR
<b>22</b>	5527	5527	5527	VIS BHC 6 X 16 CARROSSERIE NOIR	SCREW BHC 6 X 16 CARROSSERIE BLACK	TORNILLO 6 X 16 ESPECIAL CARROCERIA NEGRO
<b>24</b>	5532	5532	5532	DURITE EMBRAYAGE BRAKTEC M10-M8	CLUTCH HOSE BRAKTEC M10-M8	LATIGUILLO EMBRAGUE BRAKTEC M10-M8
<b>25</b>	3213	3213	3213	RONDELLE BANJO M8 (VOIR 2860)	ALUMINIUM SEAL M8 (SEE 2860)	ARANDELLA BANJO M8 (VER 2860)
<b>26</b>	6422	6422	6422	GROUPE FREIN AVANT DOUBLE PISTON BRAKTEC ED	FRONT BRAKE GROUP COMPLETE BRAKTEC ED	CTO FRENO DELANTERO DOBLE PISTON BRAKTEC ED
<b>27</b>	5530	5530	5530	KIT PURGE BRAKTEC M8	BLEENDING SCREW KIT BRAKTEC M8	KIT PURGA BRAKTEC M8
<b>28</b>	R236	R236	R236	AXE ETRIER FREIN AV DL/PISTON	PIN FRONT CALIPER DL PISTON	EJE PINZA FRENO DL/PISTON
<b>29</b>	M252	M252	M252	VIS CHC 6 X 20 0084 ZN NI TR	SCREW CHC 6 X 20 ZN NI TR	TORNILLO 6 X 20 DIN 912 ZN NI TR
<b>36</b>	5479	5479	5479	MOUSSE GUIDON TRIAL SCORPA	FOAM HANDLEBAR SCORPA	ESPUMA MANILLAR TRIAL SCORPA
<b>37</b>	1246	1246	1246	COLLIER RISLAN 7.5X200 MOUSSE O7	COLLIER 7.5X200 07	ABRAZADERA 7.5X200 PROTECTOR MANILLAR 07
<b>38</b>	NEW	NEW	NEW			
<b>39</b>	NEW	NEW	NEW			
<b>40</b>	NEW	NEW	NEW			



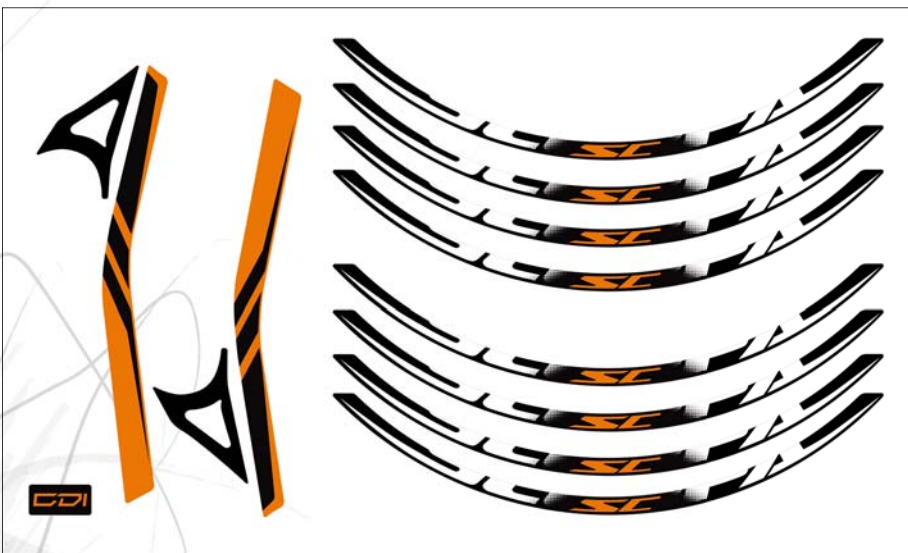
POS.	1.2	2.5	3.0	FRANÇAIS	ENGLISH	ESPAÑOL
1	C023	C023	C023	ROBINET ESSENCE	PETROL TAP	GRIFO GASOLINA
2	2762	2762	2762	LED FEU AV/ARR SR280	FRONT/REAR BULB SR280	LED DELANTERO/TRASERO SR280
3	5498	5498	5498	OBSOLETE GUIDE CÂBLES SCORPA VOIR 6565	OBSOLET CABLES GUIDE SCORPA SEE 6565	OBSOLETO GUIA CABLES SCORPA VER 6565
4	5489	5489	5489	PARE BOUE ARRIERE NOIR TR SCORPA	REAR MUDGUARD BLACK TR SCORPA	GUARDABARRO TRASERO NEGRO TR SCORPA
5	5488	5488	5488	PARE BOUE AVANT NOIR TR SCORPA	FRONT MUDGUARD BLACK TR SCORPA	GUARDABARRO DELANTERO NEGRO TR SCORPA
6	5485	5485	5485	PLAQUE PHARE NOIRE SCORPA 2015	FRONT LIGHT BLACK SCORPA 2015	PLACA FARO NEGRA SCORPA 2015
7	5341	5341	5341	PARE DISQUE AV NOIR TR TECH	DISC COVER FRONT BLACK TR TECH	PROTECTOR DISCO NEGRO DELANTERO TR TECH
8	3195	3195	3195	OPTIQUE FEU AV BLANCHE SR280	FRONT LIGHT COVER WHITE SR 280	OPTICA PILOTO DEL BLANCA SR 280
9	5725	5725	5725	VALVE ANTI RETOUR PASTIQUE	ANTI RETURN VALVE PLASTIK	VALVULA ANTI RETORNO PLASTICO
10	5581	5581	5581	VIS FHC M6X15 DIN 7991 10.9 ZN NOIR	SCREW FHC M6X15 DIN 7991 10.9 ZN BLACK	TORNILLO FHC M6X15 DIN 7991 10.9 ZN NEGRO
11	6384	6384	6384	DURITE ESSENCE COURT MISE A L' AIR SH	RUBBER SHORT TUBE PETROL AIR VENT SH	TUBO GASOLINA CORTO SALIDA AIRE SH
12	5481	5481	5481	BOUCHON ESSENCE SC/SH	PETROL CAP SCORPA SC/SH	TAPON GASOLINA SCORPA SC/SH
13	5483	5483	5483	JOINT BOUCHON ESSENCE TRIAL SC/SH	SEAL PETROL CAP TRIAL SC/SH	JUNTA TAPON GASOLINA TRIAL SC/SH
14	2937	2937	2937	VIS BHC 5 X8 ISO 7380 ZN NI TR	SCREW BHC 5 X8 ZN NI TR	TORNILLO ULS 5 X 8 ISO 7380 ZN NI TR
14	M278	M278	M278	VIS BHC 5 X10 I093 ZN NI TR	SCREW BHC 5X10 ZN NI TR	TORNILLO 5 X 10 ULS ZN NI TR
15	5502	5502	5502	GOME ETANCHEITE COUVERCLE FILTRE SCORPA 4X492	SEALING RUBBER COVER FILTER BOX SCORPA 4X492	GOMA ESTANQUEIDAD TAPA FILTRO SCORPA 4X492
16	5499	5499	5499	COUVERCLE FILTRE SCORPA	AIR FILTER BOX COVER SCORPA	TAPA FILTRO SCORPA
17	5580	5580	5580	SUPPORT BOITIER FILTRE SCORPA 2015	AIR BOX HOLDER SCORPA 2015	SOPORTE CAJA FILTRO SCORPA 2015
18	5484	5484	5484	BAVETTE AM SC/SH	REAR SHOCK COVER SC/SH	PROTECTOR AMORTIGUADOR SC/SH
19	M308	M308	M308	ECROU CLIP M6 0500500400	NUT CLIP M6	TUERCA CLIP M6
20	3953	3953	3953	VIS CARROSSERIE 6 X 16 ALU NOIR	SCREW BHC 6 X 16 CARROSSERIE ALU BLACK	TORNILLO CARROCCERIA 6 X 16 ALU NEGRO
21	5671	5671	5671	ADH DOUBLE FACE BAVETTE AMORTISSEUR	STICKER DOUBLE FACE REAR SHOCK COVER	ADH DOBLE CARA PROTECTOR AMORTIGUADOR
22	5643	5643	5643	ARCEAU FOURCHE MARZOCCHI NOIR SCORPA 2015	FRONT MURGAR HOLDER MARZOCCHI BLACK SC. 2015	PUENTE HORQUILLA MARZOCCHI NEGRO SC. 2015
23	2939	2939	2939	VIS TOLE 3.9 X 19	SCREW TOLE 3.9 X 19	TORNILLO DIN 7981 3.9 X 19
24	2921	2921	2921	INTERUPTEUR LUMIERE TRIAL 2010	FRONT LIGHT STOP TRIAL 2010	INTERUPTOR LUCES TRIAL 2010
25	M343	M343	M343	VIS BHC 6 X 35 I093	SCREW BHC 6 X 35 I093	TORNILLO BHC 6 X 35 I093
26	M331	M331	M331	COLLIER RISLANI 00 X 2.5	COLLIER 100 X 2.5	ABRAZADERA 100X 2.5
27	2938	2938	2938	VIS CHC 6 X 12 0084 ZN NI TR - TL 180°	SCREW CHC 6 X 12 ZN NI TR - TL 180°	TORNILLO 6 X 12 DIN 912 ZN NI TR - TL 180°
28	M278	M278	M278	VIS BHC 5 X10 I093 ZN NI TR	SCREW BHC 5X10 ZN NI TR	TORNILLO 5 X 10 ULS ZN NI TR
29	5503	5503	5503	RACCORD FILTRE CARBU SC/SH	MANIFOLD FILTER/CARBU SC/SH	TOBERA FILTRO CARBU SC/SH
30	M265	M265	M265	VIS CHC 8 X 60 0084 ZN NI TR - TL 180°	SCREW CHC 8 X 60 ZN NI TR - TL 180°	TORNILLO 8 X 60 ALLEN ZN NI TR - TL 180°
31	M262	M262	M262	VIS CHC 8 X 30 0084 ZN NI TR - TL 180°	SCREW CHC 8 X 30 ZN NI TR - TL 180°	TORNILLO 8 X 30ALLEN ZN NI TR - TL 180°



POS.	1.2	2.5	3.0	FRANÇAIS	ENGLISH	ESPAÑOL
<b>32</b>	5482	5482	5482	ADESIF THERMIQUE BOITE FILTRE SCORPA	SET THERMIC STICKER FILTER BOX SCORPA	PROTECTOR TERMICO CAJA DE FILTRO SCORPA
<b>33</b>	5672	5672	5672	ADHESIF PROT RESERVOIR KIT SC/SH	PROTECTOR TANK STICKER KIT SC/SH	ADHESIVO PROTECCION DEPOSITO KIT SC/SH
<b>34</b>	5505	5505	5505	AXE FILTRE SC/SH ZINK	AXLE FILTER SC/SH ZINK	EJE FILTRO SC/SH ZINCADO
<b>35</b>	5507	5507	5507	BAVETTE INTERIEUR FILTRE SC/SH	INSIDE FILTER COVER SC/SH	PROTECTOR INTERIOR FILTRO SC/SH
<b>36</b>	5723	5723	5723	FIL TORIQUE OUVERT ETANCHEITE BOITE FILTRE	OPEN THREAD SEALING ORING FILTER BOX	HILO TORICA ABIERTA ESTANCO CAJA DE FILTRO
<b>37</b>	5578	5578	5578	MOUSSE DE FILTRE SC/SH 2015	FOAM FILTER SC/SH 2015	ESPUMA FILTRO SC/SH 2015
<b>38</b>	5486	5486	5486	RESERVOIR TRIAL SCORPA	PETROL TANK TRIAL SCORPA	DEPOSITO TRIAL SCORPA
<b>39</b>	3202	3202	3202	FIXATION INTERRUPTOR LUMIERE	STRAP FIX INT	LAPA FIJACION INTERRUPTOR
<b>40</b>	5645	5645	5645	RIVET 4 X 10 LARGE NOIR	RIVET 4 X 10 LARGE BLACK	REMACHE 4 X 10 ALA ANCHA NEGRO
<b>41</b>	5500	5500	5500	BOITE FILTRE SCORPA	AIR FILTER BOX SCORPA	CAJA DE FILTRO SCORPA
<b>42</b>	6135	6135	6135	CHAPE DE FIXATION CAUCHOUÇ SCORPA FACTORY	FIXING PLATE RUBBER AIR BOX SCORPA FACTORY	CHAPA SUJECCIÓN GOMA SCORPA FACTORY
<b>43</b>	5501	5501	5501	SUPPORT FILTRE TRIAL SC/SH	SUPPORT AIR FILTER BOX TRIAL SC/SH	SOPORTE FILTRO TRIAL SC/SH
<b>44</b>	5504	5504	5504	GRILLE MOUSE FILTRE TRIAL SC/SH	SUPPORT FOAM FILTER TRIAL SC/SH	REJILLA ESPUMA FILTRO TRIAL SC/SH
<b>45</b>	5582	5582	5582	VIS FHC M5X16 DIN 7991 10.9 ZN NI TR	SCREW FHC M5X15 DIN 7991 10.9 ZN NI TR	TORNILLO FHC M5X15 DIN 7991 10.9 ZN NI TR
<b>46</b>	5635	5635	5635	VIS 3,5 X 12 BOITE FILTRE	SCREW 3,5 X 12 FILTER BOX	TORNILLO 3,5 X 12 CAJA DE FILTRO
<b>47</b>	4524	4524	4524	VIS BHC 6 X 12 ISO 7380 10.9 ZN NOIR CARROSSERIE	SCREW BHC 6 X 12 ISO 7380 10.9 ZN BLACK BODY	TORNILLO BHC 6 X 12 ISO 7380 10.9 ZN NEG. CARROC
<b>48</b>	5752	5752	5752	DURITE MISE A L' AIR SCORPA LONGUE	PETROL TUBE SCORPA LONG	TUBO RESPIRADERO SCORPA LARGO
<b>49</b>	6131	6131	6131	SUPPORT CAUTCHOUC BOITE FILTRE	AIR BOX RUBBER SUPPORT	SOPORTE GOMA CAJA FILTRO
<b>50</b>	5771	5771	5771	ECROU CLIP M6 NOIR	NUT CLIP M6 BLACK	TUERCA CLIP M6 NEGRO
<b>51</b>	2880	2880	2880	FAISCEAU PLAQUE PHARE AV SR280	FRONT LIGHT WIRELESS SR280	INSTALATION ELEC PLACA FARO SR 280
<b>52</b>	6384	6384	6384	DURITE ESSENCE COURT MISE A L' AIR SH	RUBBER SHORT TUBE PETROL AIR VENT SH	TUBO GASOLINA CORTO SALIDA AIRE SH
<b>53</b>	3185	3185	3185	FILTRE A ESSENCE	PETROL FILTER	FILTRO GASOLINA
<b>54</b>	1167	1167	1167	VALVE CAISSE FILTRE	VALVE BOX FILTER	VALVULA CAJA FILTRO
<b>55</b>	0595	0595	0595	COLLIER KC060 MANCHON CORP INJECTION END 450	COLLAR KC060 HOSE BODY INJECTION END 450	BRIDA TOBERA KC060 CUERPO INYECCION END 450
<b>56</b>	5527	5527	5527	VIS BHC 6 X 16 CARROSSERIE NOIR	SCREW BHC 6 X 16 CARROSSERIE BLACK	TORNILLO 6 X 16 ESPECIAL CARROCERIA NEGRO
<b>57</b>	6849	6849	6849	BOITE FILTRE COMPLETE	BODY FILTER COMPLET	CAJA FILTRO COMPLETA



1

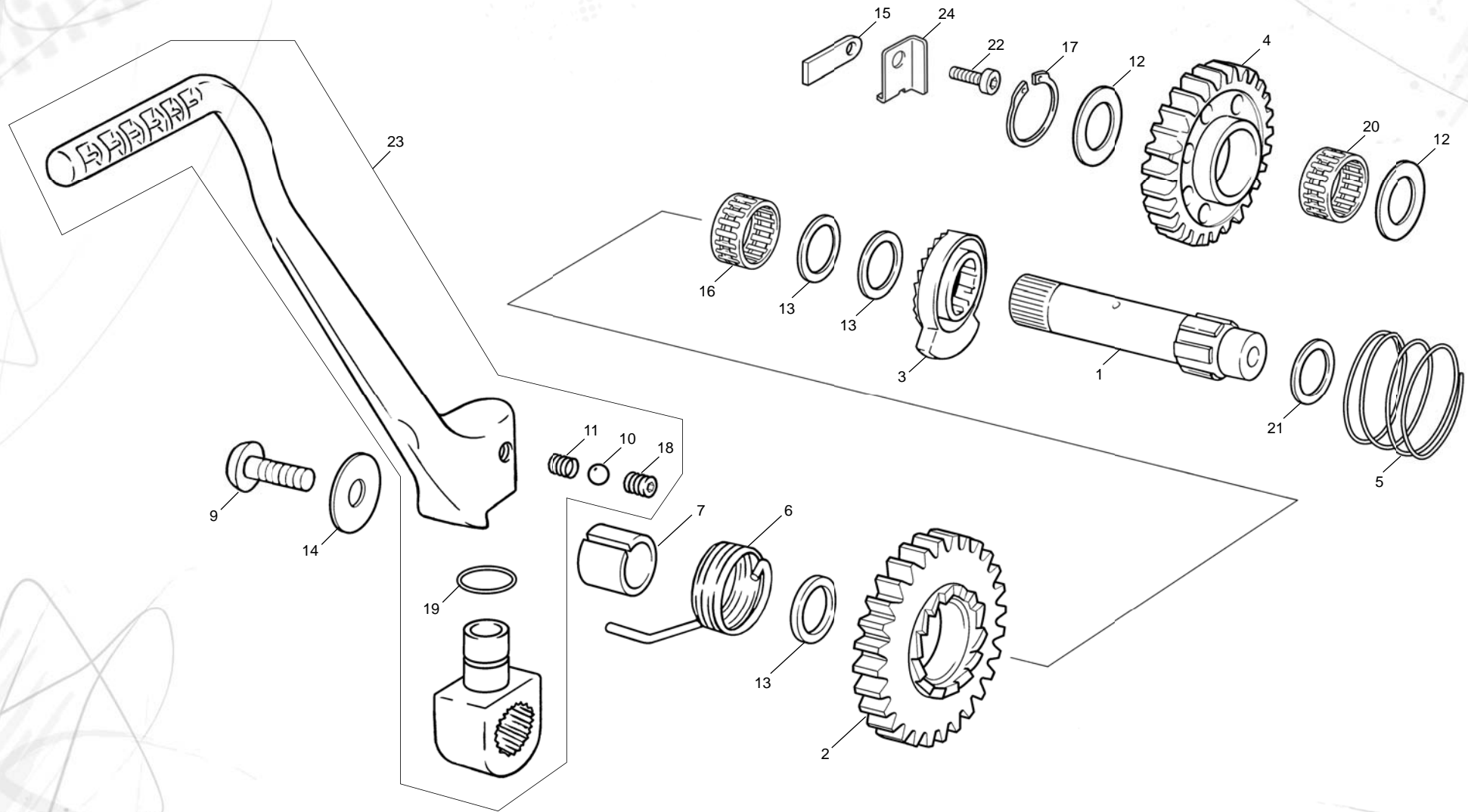


3



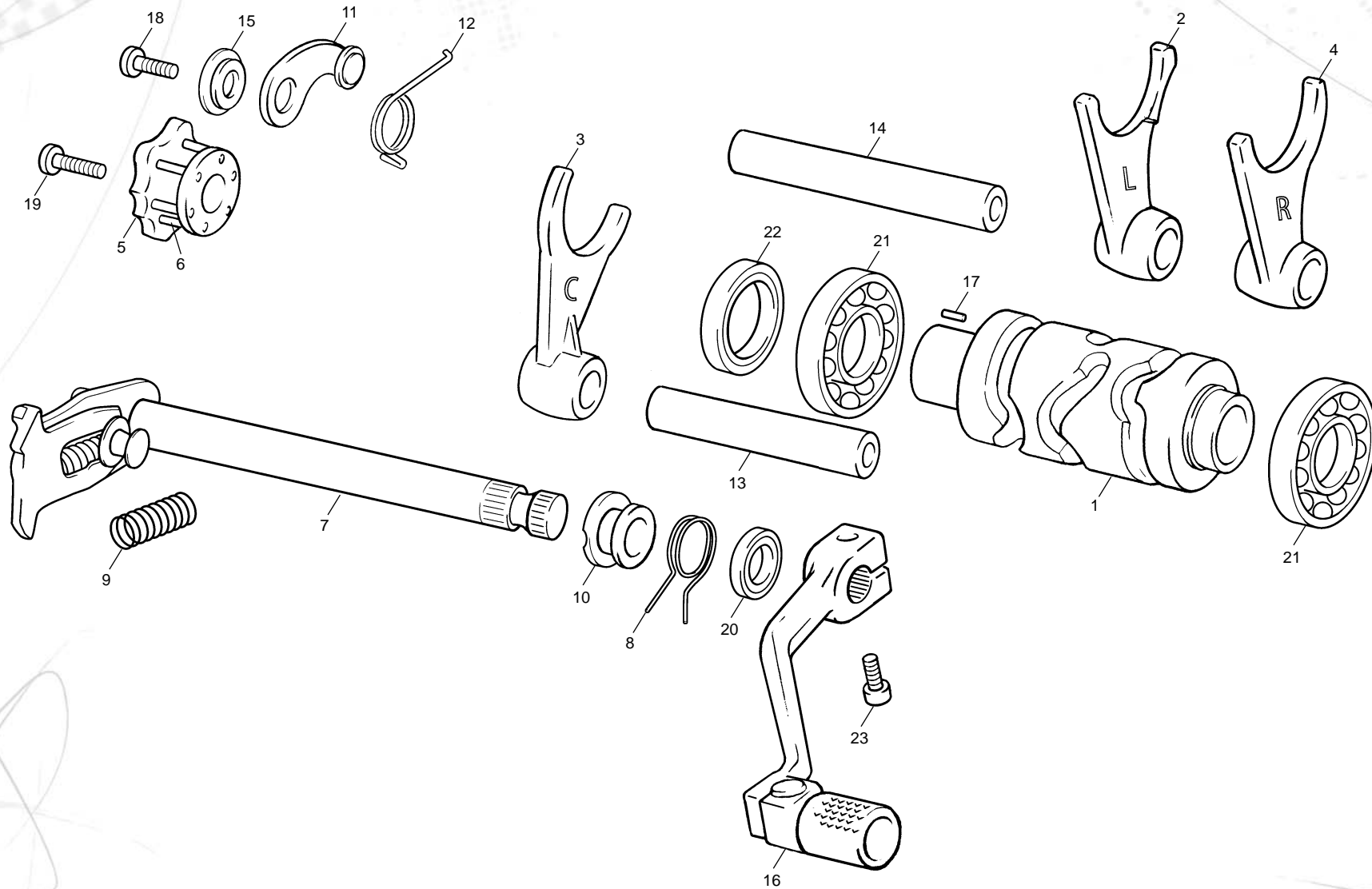
2



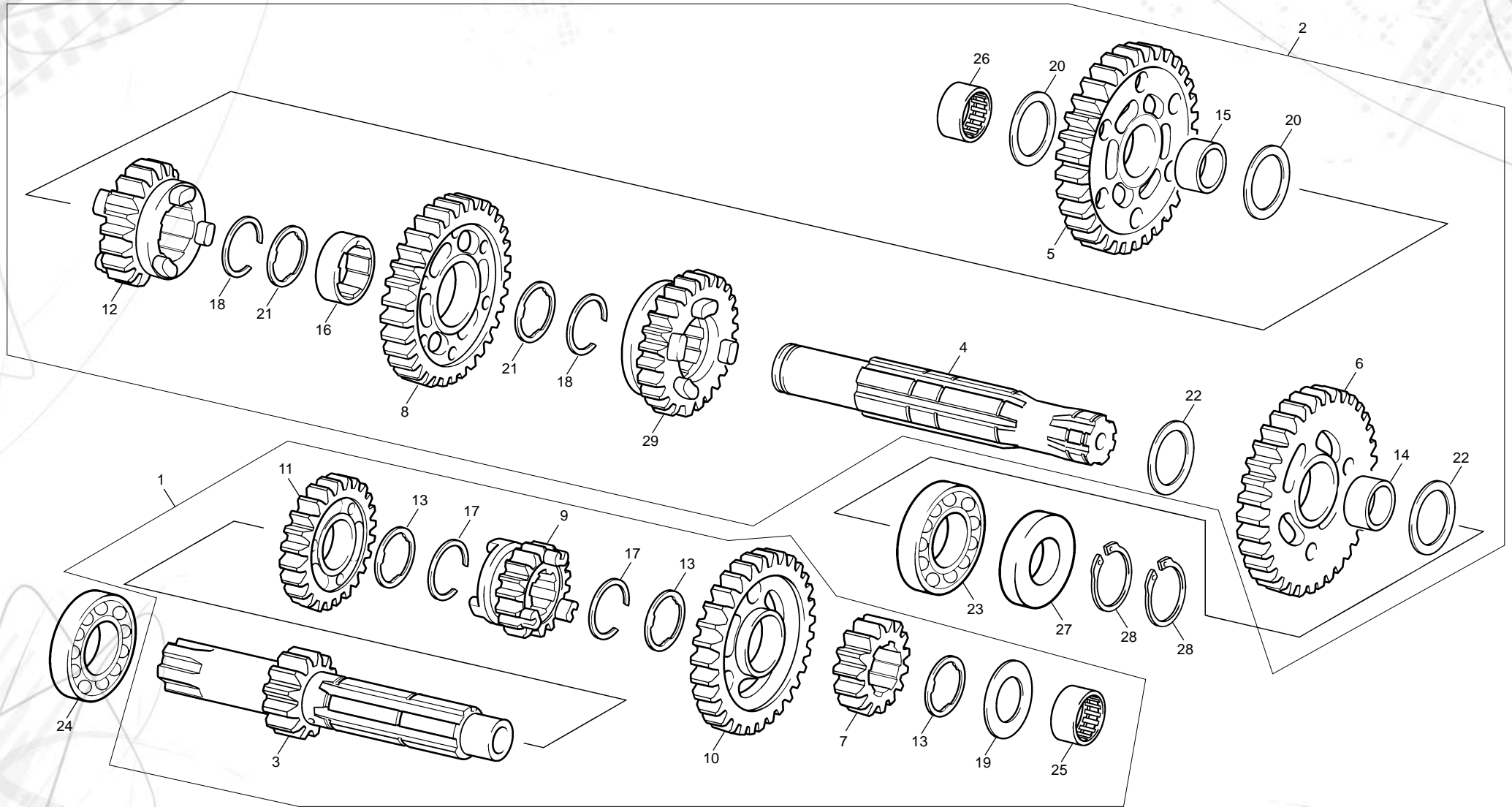




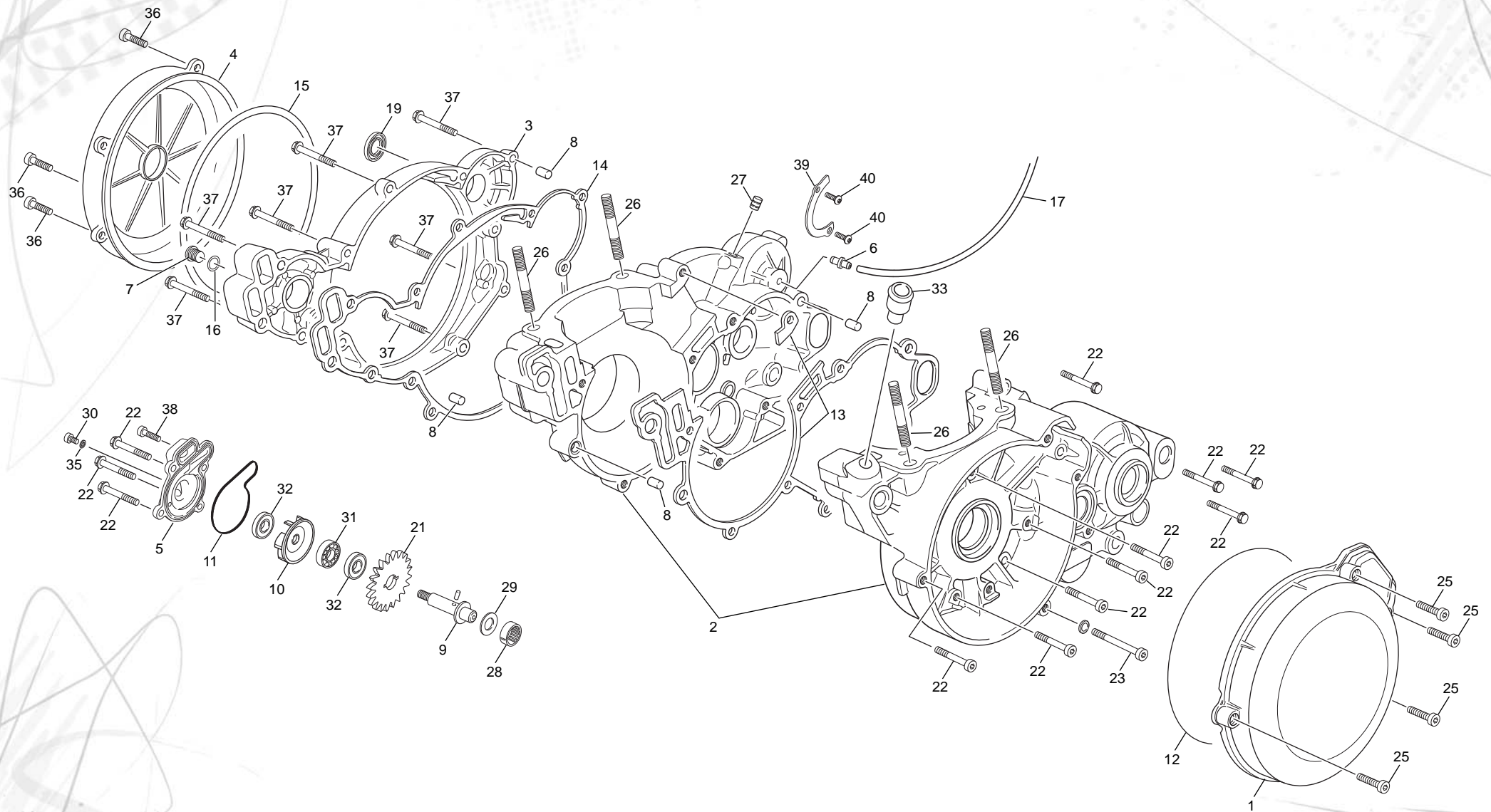




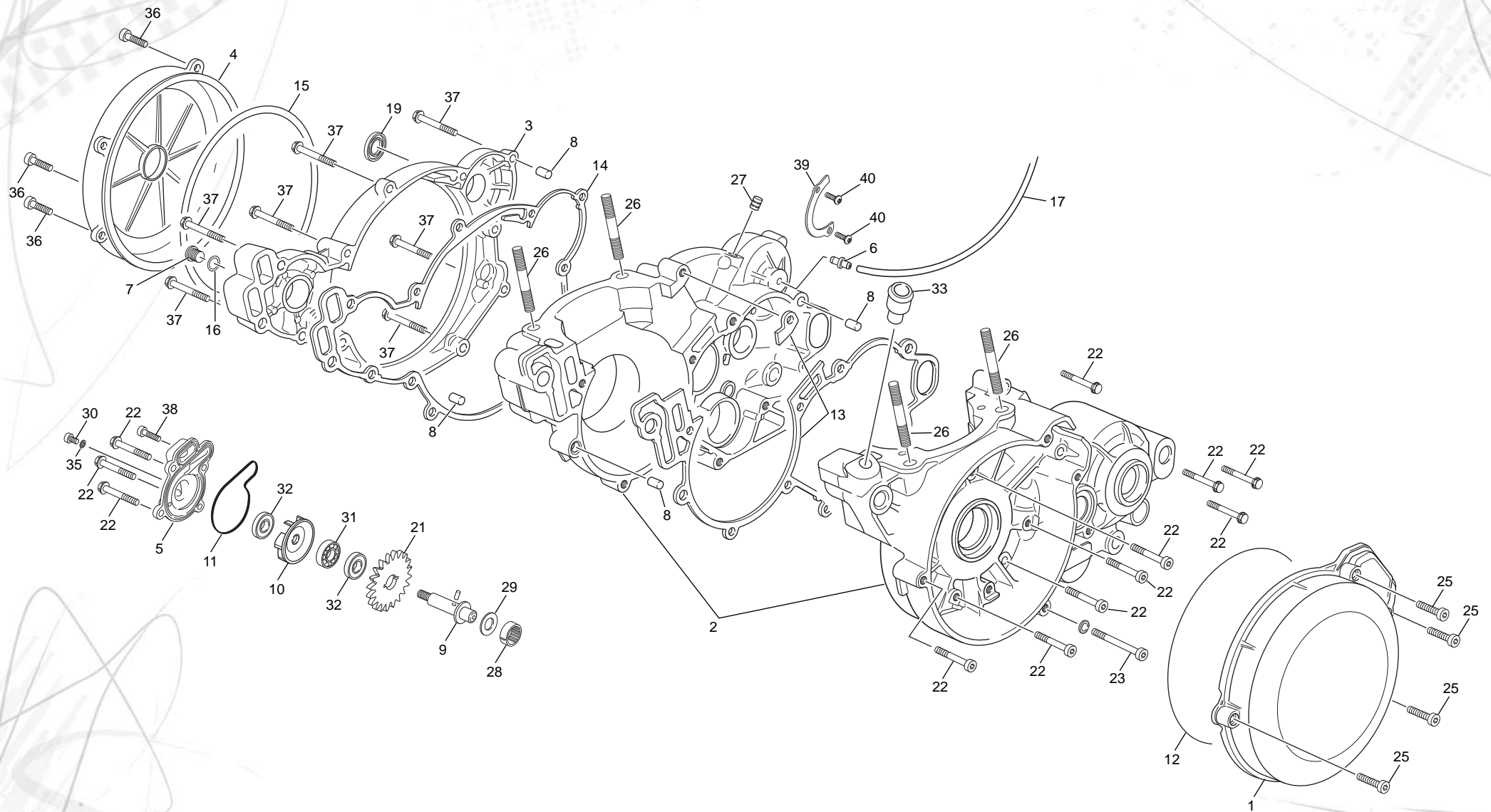




POS.	1.2	2.5	3.0	FRANÇAIS	ENGLISH	ESPAÑOL
<b>1</b>	6356	6356	6356	ENSEMBLE ARBRE PRIMAIRE ED	GROUP FIRST SHAFT WITH PINION ED	CONJUNTO EJE PRIMARIO CAMBIO ED
<b>2</b>	M391	M391	M391	ENSEMBLE ARBRE SECONDAIRE 03	GROUP SECOND SHAFT WITH PINION 03	ENSEMBLE ARBRE SECONDAIRE 03
<b>3</b>	6562	6562	6562	ARBRE PRIMAIRE ET PIGNON DE 1ERE ED	CLUTCH SHAFT ED	EJE PRIMARIO ED
<b>4</b>	M054	M054	M054	ARBRE SECONDAIRE	MAINSHAFT	EJE SECUNDARIO
<b>5</b>	M367	M367	M367	PIGNON SECONDAIRE 1ERE EVOL 2	PINION SECOND 1ERE EVOL 2	PINION SECOND 1ERE EVOL 2
<b>6</b>	M056	M056	M056	ROUE LIBRE DE 2EME	FREE PINION 2 EME	CORONA DE 2A
<b>7</b>	M057	M057	M057	PIGNON FIXE DE 2 EME	GEAR PINION 2EME	PIÑON DE 2A
<b>8</b>	M058	M058	M058	ROUE LIBRE DE 3 EME	FREE PINION 3 EME	CORONA DE 3A
<b>9</b>	M059	M059	M059	PIGNON BALADEUR DE 3EME	GEAR PINION 3 EME	PIÑON DESPLAZABLE 3A
<b>10</b>	M061	M061	M061	ROUE LIBRE DE 5 EME	GEAR PINION 5 EME	CORONA DE 5A
<b>11</b>	M062	M062	M062	PIGNON LIBRE DE 4 EME	FREE PINION 4 EME	PIÑON DE 4A
<b>12</b>	M063	M063	M063	ROUE BALADEUSE DE 4 EME	FREE PINION 4 EME	CORONA DESPLAZABLE DE 4A
<b>13</b>	M064	M064	M064	RONDELLE CRENEAUX 20X24X1	GEAR WASHER 20X24X1	ARANDELA ESTRIADA 20X24X1
<b>14</b>	M065	M065	M065	DOUILLE ANTI FRICTION 1ERE	BUSH 1ERE	CASQUILLO ANTI-FRICCION 1A
<b>15</b>	M066	M066	M066	DOUILLE ANTI FRICTION 2EME	BUSH 2 EME	CASQUILLO ANTI-FRICCION 2A
<b>16</b>	M067	M067	M067	DOUILLE ANTI FRICTION 3EME	BUSH 3 EME	CASQUILLO ANTI-FRICCION 3A
<b>17</b>	M068	M068	M068	SEGMENT ARRET SW 20	RETAINING SW 20	SEEGER SW 20
<b>18</b>	M069	M069	M069	SEGMENT ARRET SW 22	RETAINING SW 22	SIGER SW 22
<b>19</b>	M070	M070	M070	RONDELLE INA ARBRE PRIMAIRE 15X28X1	THRUST WASHER 15X28X1	ARANDELLA INA EJE PRIMARIO 15X28X1
<b>20</b>	M071	M071	M071	RONDELLE ARBRE SECONDAIRE 17X27X1	MAINSHAFT WASHER 17X27X1	ARANDELLA EJE SECUNDARIO 17X27X1
<b>21</b>	M072	M072	M072	RONDELLE CRENEAU ARBRE SECONDAIRE 22X28X1	WASHER 22X28X1	ARANDELLA ESTRIADA EJE SECUNDARIO 22X28X1
<b>22</b>	M073	M073	M073	RONDELLE ARBRE SECONDAIRE 20X27X1	MAINSHAFT WASHER 20X27X1	ARANDELA EJE SECUNDARIO 20X27X1
<b>23</b>	M074	M074	M074	ROULEMENT 20X47X14	BEARING 20X47X14	COJINETE 20X47X14
<b>24</b>	M075	M075	M075	ROULEMENT 20X47X14 2RSH	BEARING 20X47X14 2RSH	COJINETE 20X47X14 2RSH
<b>25</b>	M076	M076	M076	DOUILLE AIGUILLE 15X21X12	NEEDLE BEARING 15X21X12	CASQUILLO DE AGUJAS 15X21X12
<b>26</b>	M077	M077	M077	DOUILLE AIGUILLE HK1712B	NEEDLE BEARING 17X23X12	CASQUILLO DE AGUJAS 17X23X12
<b>27</b>	M078	M078	M078	JOINT DOUBLE LEVRE 20X30X7	OIL SEAL 20X30X7	RETEN DOBLE LABIO 20X30X7
<b>28</b>	M350	M350	M350	SEGMENT ARRET WR 20 SORTIE BOITE	SEGMENT ARRET WR 20	SEGMENT ARRET WR 20
<b>29</b>	M060	M060	M060	PIGNON BALADEUR DE 5 EME	FREE PINION 5 EME	PIÑON LIBRE 5A

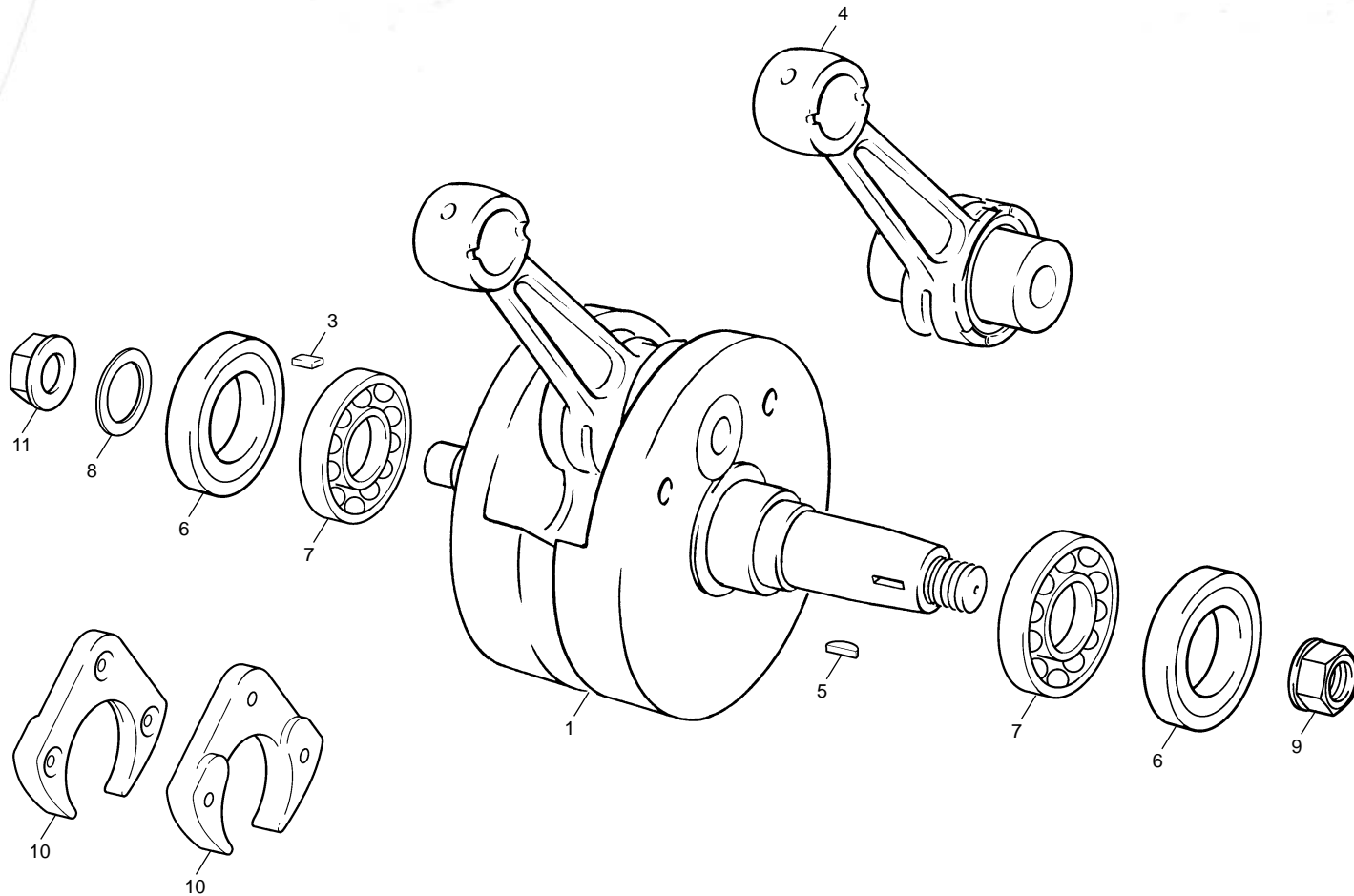


POS.	1.2	2.5	3.0	FRANÇAIS	ENGLISH	ESPAÑOL
<b>1</b>	5464	5464	5464	CARTER ALLUMAGE TR SCORPA	IGNITION COVER TR SCORPA	TAPA ENCENDIDO TR SCORPA
<b>2</b>	6646	6387	6387	GP CARTERS CENTRAUX 125 CL ED	CRANCKCASES SET 125 LS ED	CARTERS CENTRALES 125 CL ED
<b>3</b>	3130	3130	3130	CARTER LATERAL DROITE TR II	BOTTOM CLUTCH COVER TR II	CARTER LATERAL DERECHO TR II
<b>4</b>	5468	5468	5468	COUVERCLE EMBRAYAGE TR SCORPA NATUREL	CLUTCH COVER TR SCORPA NATURAL	TAPETA EMBRAGUE TR SCORPA NATURAL
<b>5</b>	3275	3275	3275	COUVERCLE POMPE EAU TR II ALU	WATER PUMP COVER TR II ALU	TAPA BOMBA AGUA TR II ALU
<b>6</b>	M016	M016	M016	RENIFLAR CARTER CENTRAL	AIR VENT CRANCKCASES	DEPRESOR CARTERS
<b>7</b>	4544	4544	4544	BOUCHON REMPLISSAGE HUILE NOIR	CARTER FILTER TAP BLACK	TAPON LLENADO ACEITE CARTER NEGRO
<b>8</b>	M022	M022	M022	DOUILLE CENTRAGE CARTER	DOUILLE CENTRAGE CARTER	CASQUILLO CENTRADOR CARTER
<b>9</b>	M363	M363	M363	AXE POMPE EAU EVOLUTION 3	WATER PUMP AXELE EVOLUTION 3	EJE BOMBA AGUA EVOLUTION 3
<b>10</b>	M351	M351	M351	TURBINE POMPE EAU EVOLUTION2	WATERPUMP TURBINE EVOLUTION2	TURBINA BOMBA AGUA EVOLUTION2
<b>11</b>	M033	3133	3133	JOINT TORIQUE COUVERCLE POMPE 37X2	O-RING WATER PUMP COVER 37X2	JUNTA TORICA TAPA BOMBA AGUA 37X2
<b>12</b>	M034	3158	3158	JOINT TORIQUE COUVERCLE ALLUMAGE 144X2	O-RING IGNITION COVER 144X2	JUNTA TORICA TAPA ENCENDIDO 144X2
<b>13</b>	M220	3151	3134	JOINT CARTER CENTRAL 125/200CC	CENTRAL CRANCKCASE GASKET 125/200CC	JUNTA CARTER CENTRAL 125/200CC
<b>14</b>	3135	3135	3135	JOINT CARTER LATERAL TR II	CLUTCH GASKET TR II	JUNTA CARTER LATERAL TR II
<b>15</b>	M045	3141	3141	JOINT TORIQUE 156 X2	O-RING 155X2	JUNTA TORICA 155X2
<b>16</b>	M162	M162	M162	TORIQUE 10X2.5 BOUCHON HUILE	O-RING 10X2.5 OIL PLUG	TORICA 10X2.5 TAPON ACEITE
<b>17</b>	M017	M017	M017	DURITE RENIFLARD 3X5	TUBE AIR VENT CRANCKCASES 3X5	TUBO DEPRESOR 3X5
<b>19</b>	3128	3128	3128	JOINT DOUBLE LEVRES 17X24X5	OIL SEAL 17X24X5	RETEN DOBLE LABIO 17X24X5
<b>21</b>	4920	4920	4920	PIGNON Z13 POMPE EAU NYLON FCC	PINION Z13 WATER PUMP NYLON FCC	PIGNON Z13 BOMBA AGUA NYLON FCC
<b>22</b>	0549	0549	0549	VIS TH EP 6 X 45	SREW TH EP 6 X 45	TORNILLO TH EP 6 X 45
<b>23</b>	3235	3235	3235	VIS TH EP 6 X 50 ZN NI TR	SCREW TH EP M6 X50 ZN NI TR	TORNILLO TH EP M6 X50 ZN NI TR
<b>25</b>	3269	3269	3269	VIS CHC 5 X 20 0084	SCREW CHC 5 X 20	TORNILLO 5 X 20 ALLEN
<b>26</b>	M291	M291	M291	GOIJON DE CYLINDRE 8 X 46	STUD CYLINDRE 8 X 46	ESPARRAGO CILINDRO 8 X 46
<b>27</b>	----	2386	2386	BOUCHON CANALISATION HUILE 6X8	LUBRICATION CAP 6X8	TAPA CANALIZACION 6X8
<b>28</b>	M029	M029	M029	ROULEMENT AIGUILLE POMPE EAU HK0808	WATER PUMP NEEDLE BEARING HK 0808	COJINETE AGUJAS BOMBA AGUA HK 0808
<b>29</b>	M049	M049	M049	RONDELLE CALAGE 8 X 14 X 0.5	WASHER 8X14X0.5	ARANDELA ACERADA 8 X 14 X 0.5
<b>30</b>	3566	3566	3566	VIS CHC M5X10 DIN 912 8.8 ZB	SCREW CHC M5X10 DIN 912 8.8 ZB	TORNILLO CHC M5X10 DIN 912 8.8 ZB
<b>31</b>	M027	M027	M027	ROULEMENT BILLE POMPE EAU 608.2RSH	WATER PUMP BEARING 608.2RSH	COJINETE BOMBA AGUA 608.2RSH
<b>32</b>	M031	M031	M031	JOINT POMPE A EAU 8X20X5DL	WATER PUMP SEAL 8X20X5DL	RETEN BOMBA AGUA 8X20X5DL
<b>33</b>	----	3143	3143	RACCORD DURITE CARTER RADIATEUR II	WATER CONEXION II	CONECTOR TUBO AGUA CARTER A RADIADOR II
<b>35</b>	M277	M277	M277	RONDELLE ALU M5 0463 5X10	GASKET RING X5	ARANDELA ALUMINIO X5
<b>36</b>	0550	0550	0550	VIS TH EP 6 X 55	SREW TH EP 6 X 55	TORNILLO TH EP 6 X 55

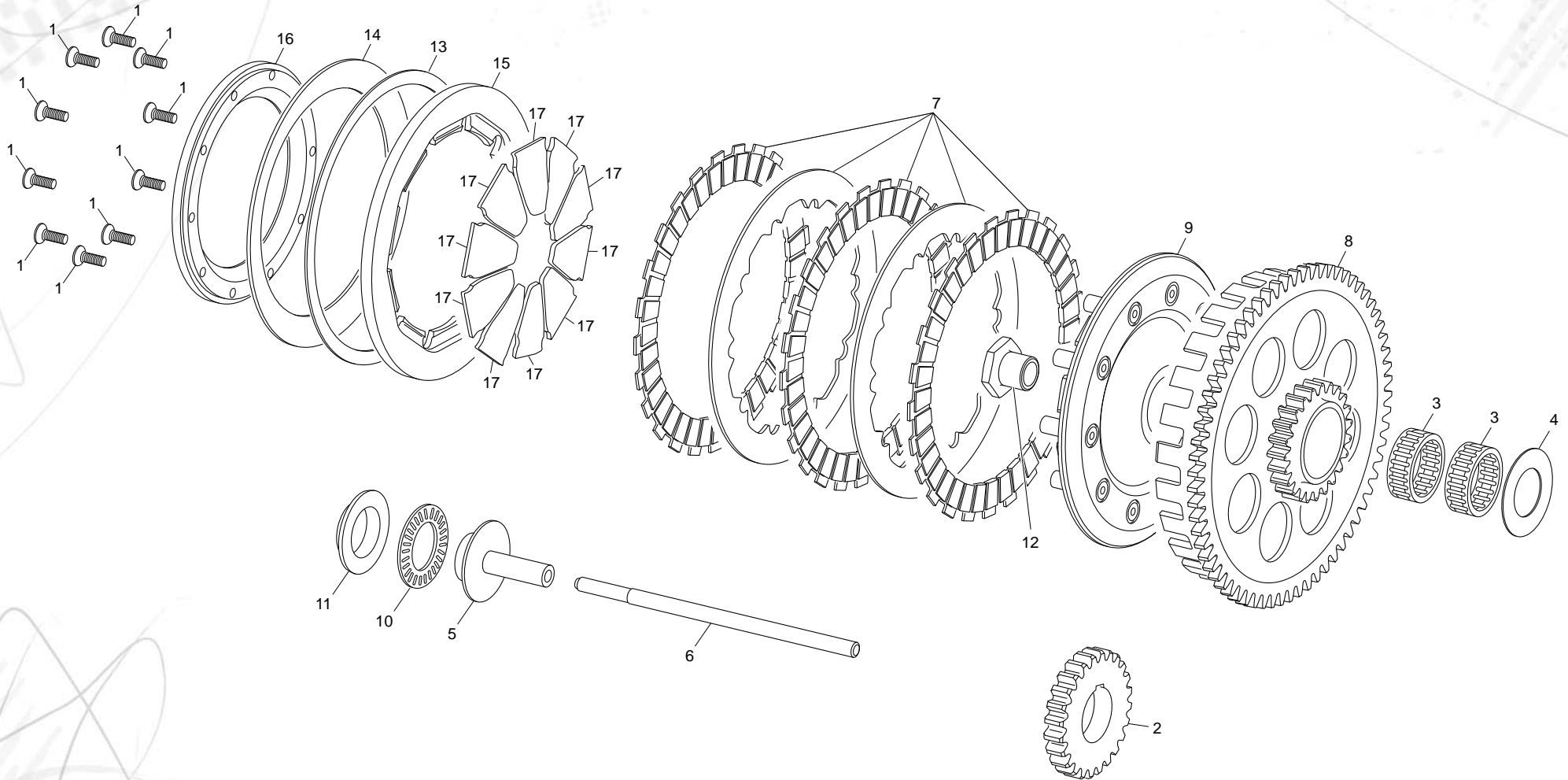




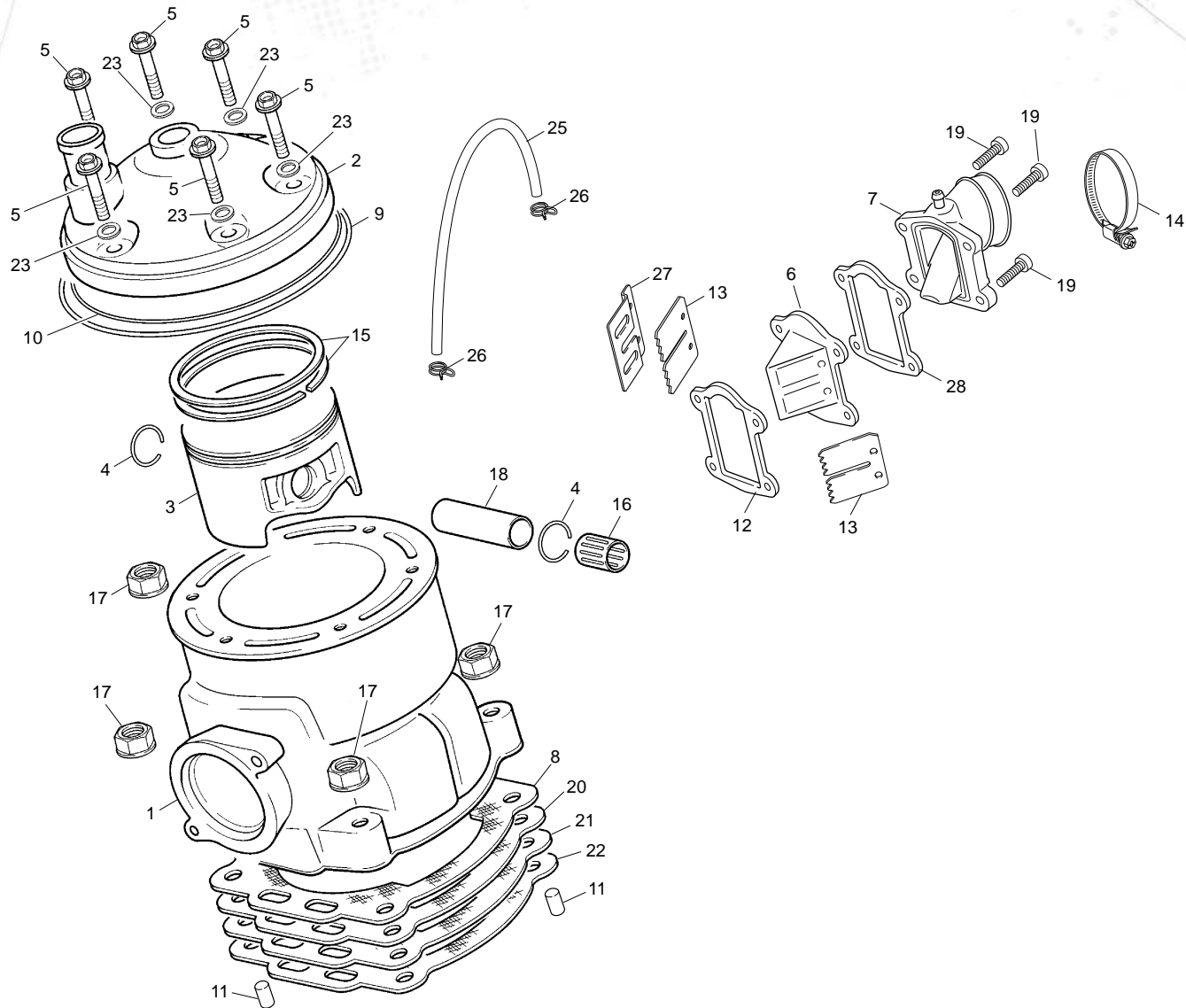










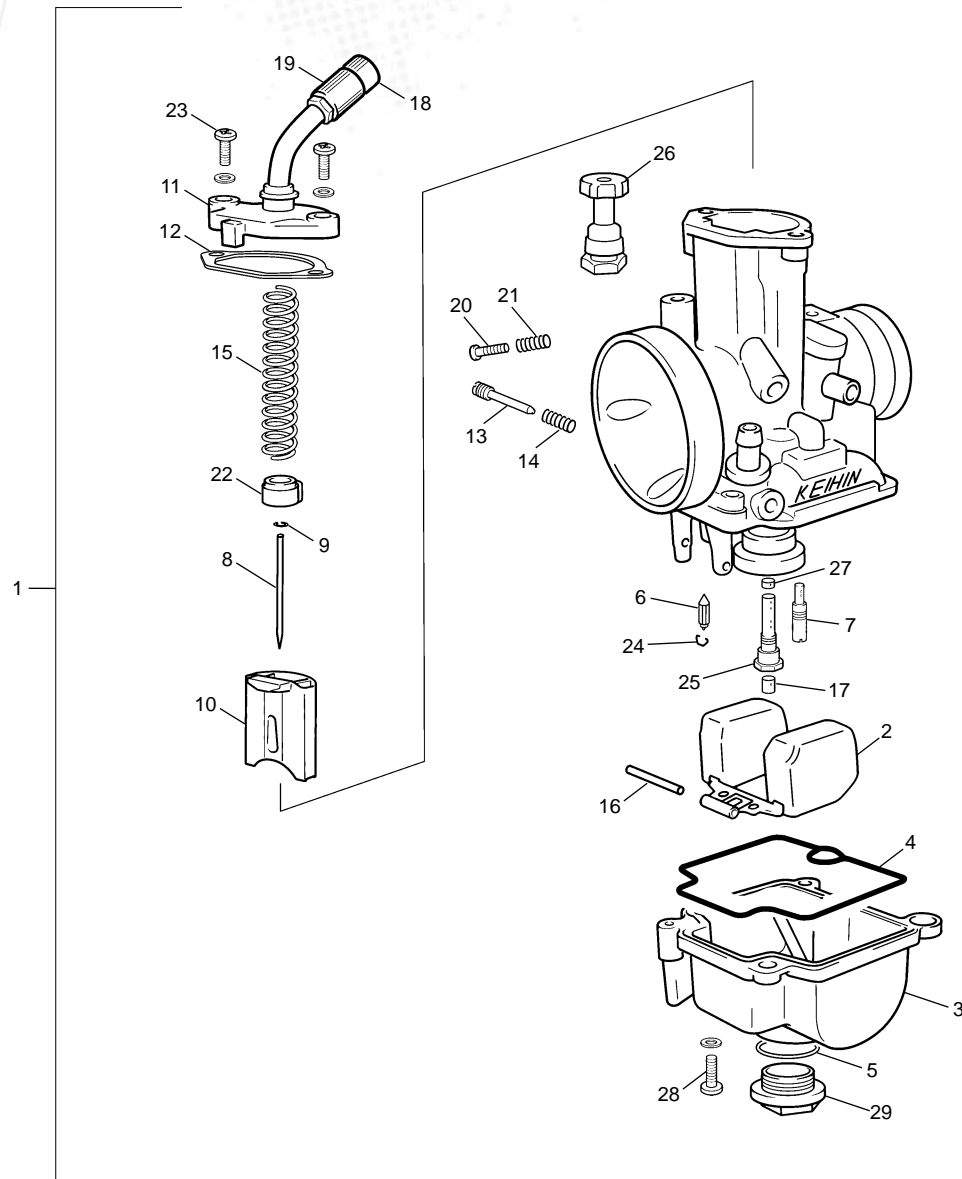


POS.	1.2	2.5	3.0	FRANÇAIS	ENGLISH	ESPAÑOL
<b>1</b>	4909	5506	5465	CYLINDRE 125 14 TR CL	CILYNDER 125 14 TR LS	CILINDRO 125 14 TR CL
<b>2</b>	4910	4600	4604	CULASSE 1.25 TR CL	CYLINDER HEAD 1.25 TR LS	CULATA 1.25 TR CL
<b>3</b>	----	M586	3339	PISTON CPL 72.76 "B"	PISTON CPL 72.76 "B"	PISTON CPL 72.76 "B"
<b>3</b>	----	M587	----	PISTON CPL 72.77 "C"	PISTON CPL 72.77 "C"	PISTON CPL 72.77 "C"
<b>3</b>	----	M588	----	PISTON CPL 72.78 "D"	PISTON CPL 72.78 "D"	PISTON CPL 72.78 "D"
<b>3</b>	4908	M009	3218	PISTON CPL 125CC "A" CL	PISTON 125CC "A" LS	PISTON 125CC "A" CL
<b>4</b>	R218	M013	M013	CIRCLIP PISTON 125/200	PISTON CIRCLIP 125/200	SERCLIP PISTON 125/200
<b>5</b>	0547	0547	0547	VIS TH EP 6 X 30	SCREW TH EP 6 X 30	TORNILLO TH EP 6 X 30
<b>6</b>	5783	5783	3125	BOITE A CLAPETS VERTICAL TWENTY	REEDS CASE VERTICAL TWENTY	CAJA DE LAMINAS VERTICAL TWENTY
<b>7</b>	4997	4997	4997	PIPE ADMISSION 2014 CARB 28	ADMISION PIPE 2014 CARB 28	TOBERA ADMISION 2014 CARB 28
<b>8</b>	5111	3025	3025	JOINT EMBASE SILICONE CYLINDRE 0.5 125CC LC	CILYNDER GASKET SILICON 0.5 125CC LS	JUNTA CILINDRO SILICONA 0.5 125CC CL
<b>9</b>	M038	M038	M038	JOINT TORIQUE CULASSE 105 X 109 X 2 VITON	CILYNDER HEAD O-RING 105 X 109 X 2 VITON	JUNTA TORICA CULATA 105 X 109 X 2 VITON
<b>10</b>	M039	M039	M039	JOINT TORIQUE CULASSE 80 X 84 X 2 VITON	CILYNDER HEAD O-RING 80 X 84 X 2 VITON	JUNTA TORICA CULATA 80 X 84 X 2 VITON
<b>11</b>	0200	0200	0200	AIGUILLES 4X9.8 NRB	NEEDL 4X9.8 NRB	AGUJA 4X9.8 NRB
<b>12</b>	3136	3136	3136	JOINT BOITE CLAPET FOAMED TR 11	REEDS CASE GASKET FOAMED TR 11	JUNTA CAJA LAMINAS FOAMED TR 11
<b>13</b>	R022	R022	R022	CLAPET RECHANGE UNITEE	REED VALVE SET	LAMINAS RECAMBIO UNIT
<b>14</b>	C120	C120	3287	COLLIER NORMA 30/45	COLLARD NORMA 30/45	ABRAZADERA NORMA 30/45
<b>15</b>	5658	R215	3219	JEUX SEGMENTS 125CC CL	SET RINGS 125CC CL	JUEGO AROS 125CC CL
<b>16</b>	M241	M248	M248	CAGE AIGUILLE PISTON 125 KBK 16X20X20	NEEDLE BEARING KBK 125 16X20X20	JAULA AGUJAS PISTON 125 KBK 16X20X20
<b>17</b>	M272	M272	M272	ECROU EMBASE X8 0692	COLLAR HEX NUT M8	TUERCA CON VALONA M8
<b>18</b>	----	R221	3336	AXE PISTON	PISTON PIN	BULON PISTON
<b>19</b>	5772	5772	3269	VIS BHC 5 X 20 CAROSSERIE	SCREW BHC 5 X 20 BODY	TORNILLO BHC 5 X 20 CARROCERIA
<b>20</b>	----	3189	3189	JOINT EMBASE CYLI WI 0.2MM	CILYNDER GASKET WI 0.2MM	JUNTA CILINDRO WI 0.2MM
<b>21</b>	----	3190	3190	JOINT EMBASE CYLI WI 0.3MM	CILYNDER GASKET WI 0.3MM	JUNTA CILINDRO WI 0.3MM
<b>22</b>	----	3191	3191	JOINT EMBASE CYLI WI 0.4MM	CILYNDER GASKET WI 0.4MM	JUNTA CILINDRO WI 0.4MM
<b>23</b>	M040	M040	M040	JOINT TORIQUE CYLINDRE 5,60 X 9,20 X 1,80	CILYNDER O-RING BOLT 5,60 X 9,20 X 1,80	JUNTA TORICA CILINDRO 5,60 X 9,20 X 1,80
<b>25</b>	4907	4907	4907	DURITE IMPULSION POMPE	RUBBER IMPULSION PUMP	MANGUITO PULSACION BOMBA
<b>26</b>	2846	2846	2846	COLLIER DURITE ESSENCE	COLLARD PETROL PIPE	ABRAZADERA TUBO GASOLINA
<b>27</b>	3394	3394	3394	RAYON L MINI 35.5X3.5 COTE COURONE NOIR	SPOCKE L MINI 35.5X3.5 SIDE TRANS BLACK	RADIO L MINI 35.5X3.5 LADO CORONA NEGRO
<b>28</b>	5932	5932	5045	JOINT PIPE ADMISION FOAMED 1.10	REEDS CASE GASKET FOAMED 1.10	JUNTA TOBERA FOAMED 1.10





POS.	1.2	2.5	3.0	FRANÇAIS	ENGLISH	ESPAÑOL
<b>1</b>	1123	1123	1123	CARBUTATEUR KEIHIN TRIAL 2T	CARBURETOR KEIHIN TRIAL 2T	CARBURADOR KEIHIN TRIAL 2T
<b>2</b>	1330	1330	1330	FLOTEUR DE CARBU KEIHIN	CARBURATOR FLOTEUR KEIHIN	BOYA CARBU KEIHIN
<b>3</b>	1331	1331	1331	CUVE CARBURATEUR KEIHIN	CARBURATOR CUVE KEIHIN	CUBA CARBURADOR KEIHIN
<b>4</b>	1333	1333	1333	VIS FIXATION CUVE KEIHIN	SCREW FIXATION CUVE KEIHIN	TORNILLO CUBA CARBU KEIHIN
<b>5</b>	1334	1334	1334	JOINT TORIQUE CUVE	O-RING FLOAT	TORICA CUBETA
<b>6</b>	1335	1335	1335	POINTEAU CARBU KEIHIN	POINTEAU CARBU KEIHIN	VALVOLA AGUJA KEIHIN
<b>7</b>	1327	1327	1327	GICLEUR RALENTI 50 KEIHIN	PILOT JET 50 KEIHIN	CHICLE RALENTI 50 KEIHIN
<b>7</b>	1336	1336	1336	GICLEUR RALENTI 45 KEIHIN	PILOT JET 45 KEIHIN	CHICLE RALENTI 45KEIHIN
<b>7</b>	1337	1337	1337	GICLEUR RALENTI 52 KEIHIN	PILOT JET 52 KEIHIN	CHICLE RALENTI 52 KEIHIN
<b>7</b>	1338	1338	1338	GICLEUR RALENTI 55 KEIHIN	PILOT JET 55 KEIHIN	CHICLE RALENTI 55 KEIHIN
<b>7</b>	1339	1339	1339	GICLEUR RALENTI 48 KEIHIN	PILOT JET 48 KEIHIN	CHICLE RALENTI 48 KEIHIN
<b>7</b>	1403	1403	1403	GICLEUR RALENTI 42 KEIHIN	PILOT JET 42 KEIHIN	CHICLE RALENTI 42 KEIHIN
<b>8</b>	1340	1340	1340	AIGUILLE CARBU KEIHIN JFH	AIGUILLE CARBU JFH	AGUJA CARBU JFH
<b>8</b>	1341	1341	1341	AIGUILLE CARBU KEIHIN JJH	AIGUILLE CARBU JJH	AGUJA CARBU JJH
<b>9</b>	1342	1342	1342	CLIP AIGUILLE CARBU KEIHIN	CLIP AIGUILLE CARBU KEIHIN	CLIP AGUJA CARB KEIHIN
<b>10</b>	1326	1326	1326	BOISSEAU KEIHIN 3,5 TR	CARBURATOR VALVE KEIHIN 3,5 TR	CAMPANA KEIHIN 3,5 TR
<b>10</b>	1343	1343	1343	BOISSEAU KEIHIN 4,0 TR	CARBURATOR VALVE KEIHIN4,0 TR	CAMPANA KEIHIN 4.0 TR
<b>11</b>	1344	1344	1344	COUVERCLE BOISSEAU KEIHIN	CARBURATOR COVER KEIHIN	TAPA CARBURADOR KEIHIN
<b>12</b>	1345	1345	1345	COUVERCLE BOISSEAU GASKETKEIHIN	JOINT COVER KEIHIN	JUNTA TAPA CARBURADOR KEIHIN
<b>13</b>	1346	1346	1346	VIS REGUL ESSENCE CARBU KEIHIN	SCREW REGUL PETROL CARBU KHEIHIN	TORNILLO AIRE KEIHIN
<b>14</b>	1347	1347	1347	RESSORT VIS ESSENCE CARBU KEIHIN	SPRING SCREW REGUL PETROL CARBU KHEIHIN	MUELLE TORNILLO AIRE KEIHIN
<b>15</b>	1348	1348	1348	RESSORT CARBURATEUR 82 X 12,8 SPS	SPRING CARBURETOR 82 X 12,8 SPS	MUELLE CARBURADOR 82 X 12,8 SPS
<b>16</b>	1351	1351	1351	AXE BALANCIER FLOTEUR CARBU KEIHIN	PIN BALANCIER FLOTEUR CARBU KEIHIN	EJE BALANCIN FLOTADOR CARBU KEIHIN
<b>17</b>	1248	1248	1248	GICLEUR PRINCIPAL 122KEIHIN	MAIN JET 122 KEIHIN	CHICLE PRINCIPAL 122 KEIHIN
<b>17</b>	1347	1347	1347	RESSORT VIS ESSENCE CARBU KEIHIN	SPRING SCREW REGUL PETROL CARBU KHEIHIN	MUELLE TORNILLO AIRE KEIHIN
<b>17</b>	1352	1352	1352	GICLEUR PRINCIPAL 118 KEIHIN	MAIN JET 118 KEIHIN	CHICLE PRINCIPAL 118KEIHIN
<b>17</b>	1353	1353	1353	GICLEUR PRINCIPAL 120KEIHIN	MAIN JET 120 KEIHIN	CHICLE PRINCIPAL 120 KEIHIN
<b>17</b>	1402	1402	1402	GICLEUR PRINCIPAL 115 KEIHIN	MAIN JET 115 KEIHIN	CHICLE PRINCIPAL 115KEIHIN
<b>18</b>	1354	1354	1354	ADAPTE CÂBLE KEIHIN	CABLE ADJUSTING BOLT KEIHIN	AJUSTE CABLE GAS KEIHIN
<b>19</b>	1355	1355	1355	ECROU ADAPTE CÂBLE KEIHIN	NUT CABLE ADJUSTING BOLT KEIHIN	TUERCA AJUSTE CABLE GAS KEIHIN
<b>20</b>	1356	1356	1356	VIS REGUL GAS CARBU KEIHIN	KIT SCREW REGUL GAS KEIHIN	TORNILLO RALENTI KEIHIN
<b>21</b>	1357	1357	1357	RESSORT VIS REGUL GAS CARBU KEIHIN	SPRING SCREW REGUL GAS KEIHIN	MUELLE TORNILLO RALENTI KEIHIN





TRIAL  
TWENTY  
1.25 2.5 3.0