

Spare part's book 10

1.25 2.5 2.9

Trial

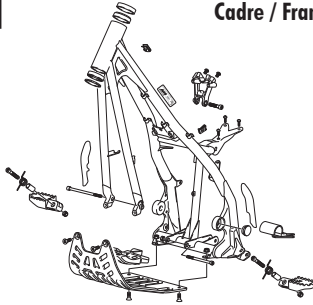
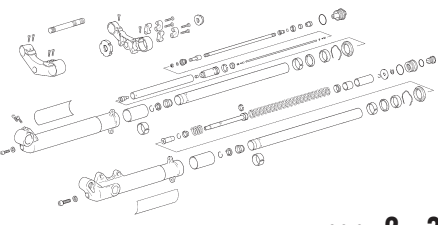
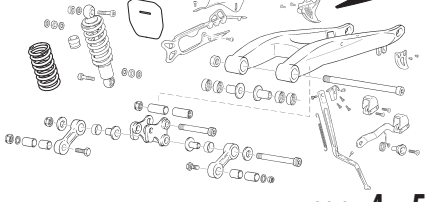
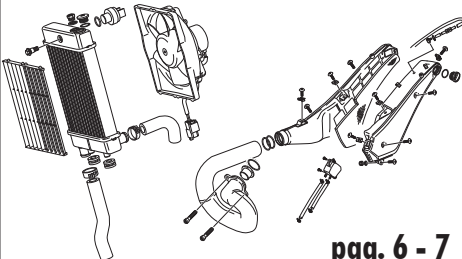
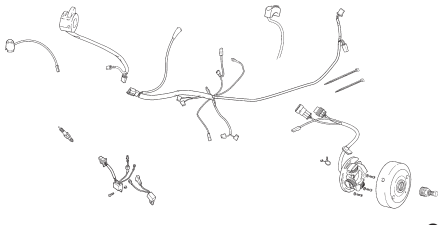


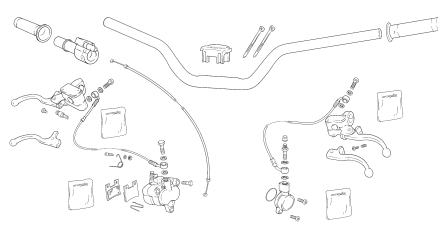
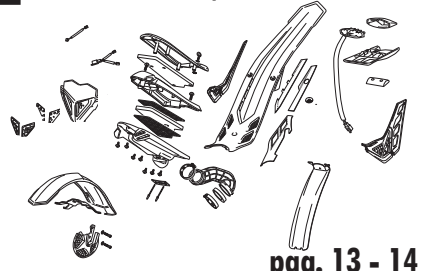
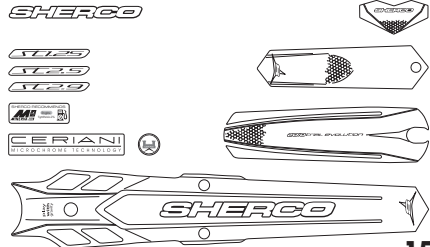
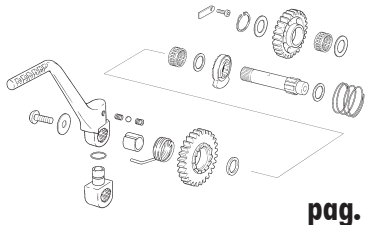
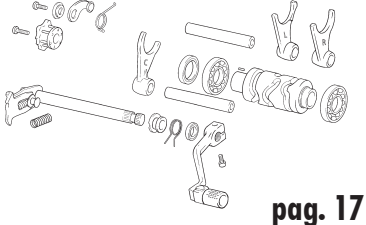
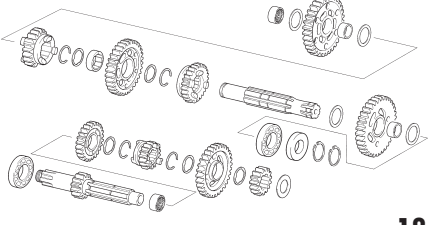
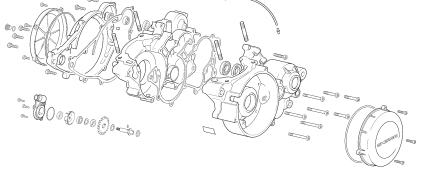
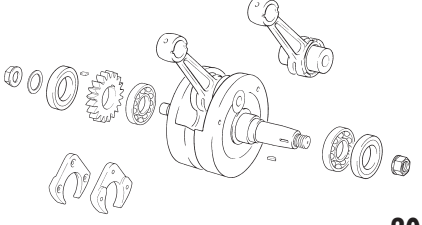
2T

SHERCO

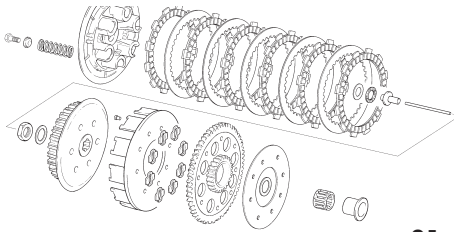
GOMEX
12V QUALITY
09/08
F40-12C001-07S
WWW.GOMEX-USA.COM

SHERCO
Motorcycles

Index / Index / Índice

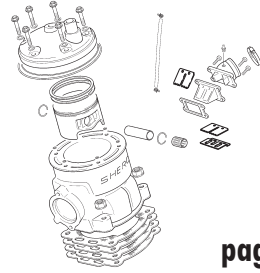
<p>1 Cadre / Frame / Chasis</p>  <p>pag. 1</p>	<p>2 Fourche / Fork / Horquilla</p>  <p>pag. 2 - 3</p>	<p>3 Amortisseur - Bras oscillant / Rear Shock - Swingarm / Amortiguador - Basculante</p>  <p>pag. 4 - 5</p>
<p>4 Radiateur / Radiator / Radiador</p>  <p>pag. 6 - 7</p>	<p>5 Faisceau électrique / Electrical system / Instalación eléctrica</p>  <p>pag. 8</p>	<p>6 Roue avant / Front wheel / Rueda delantera</p>  <p>pag. 9</p>
<p>7 Roue arriere / Rear wheel / Rueda trasera</p>  <p>pag. 10 - 11</p>	<p>8 Guidon / Handlebar / Manillar</p>  <p>pag. 12</p>	<p>9 Plastiques / Plastics / Plásticos</p>  <p>pag. 13 - 14</p>
<p>10 Adhesif / Stiker / Adhesivos</p>  <p>pag. 15</p>	<p>11 Lanceur / Kickstarter assembly / Pedal arranque</p>  <p>pag. 16</p>	<p>12 Selecteur / Gear selector group / Selector cambio</p>  <p>pag. 17</p>
<p>13 Boite a vitesses / Gear set / Cambio</p>  <p>pag. 18</p>	<p>14 Groupe carters / Crankcase assembly / Grupo carters</p>  <p>pag. 19</p>	<p>15 Villebrequin assemble / Crankshaft assembly / Cigüeñal biela</p>  <p>pag. 20</p>

16 **Embrayage / Clutch / Embrague**



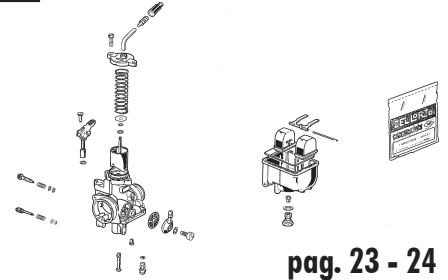
pag. 21

17 **Cylindre / Cylinder / Cilindro**



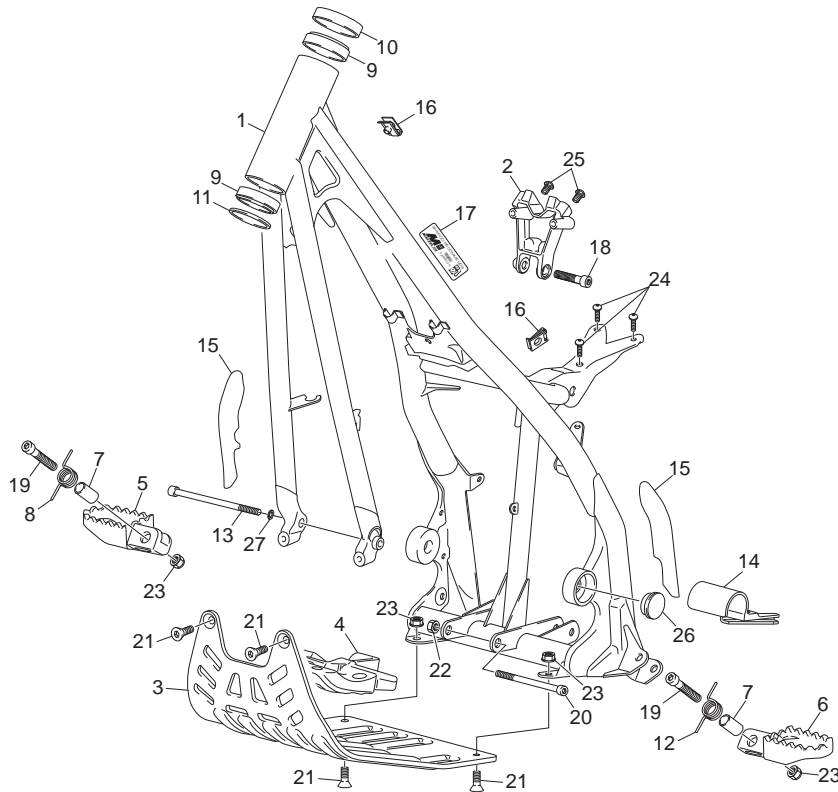
pag. 22

18 **Carburateur / Carburetor / Carburador**



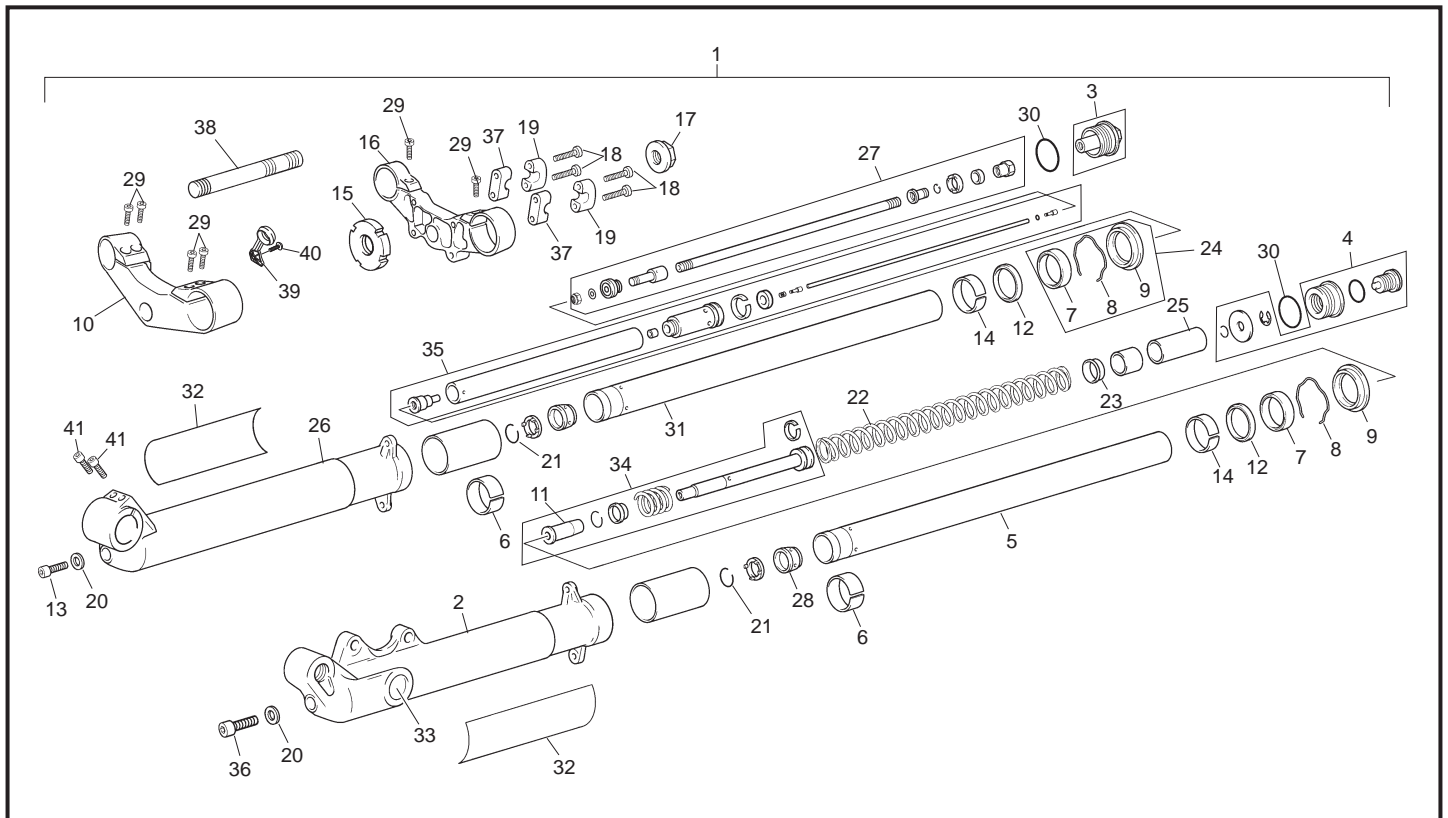
pag. 23 - 24

Cadre / Frame / Chasis

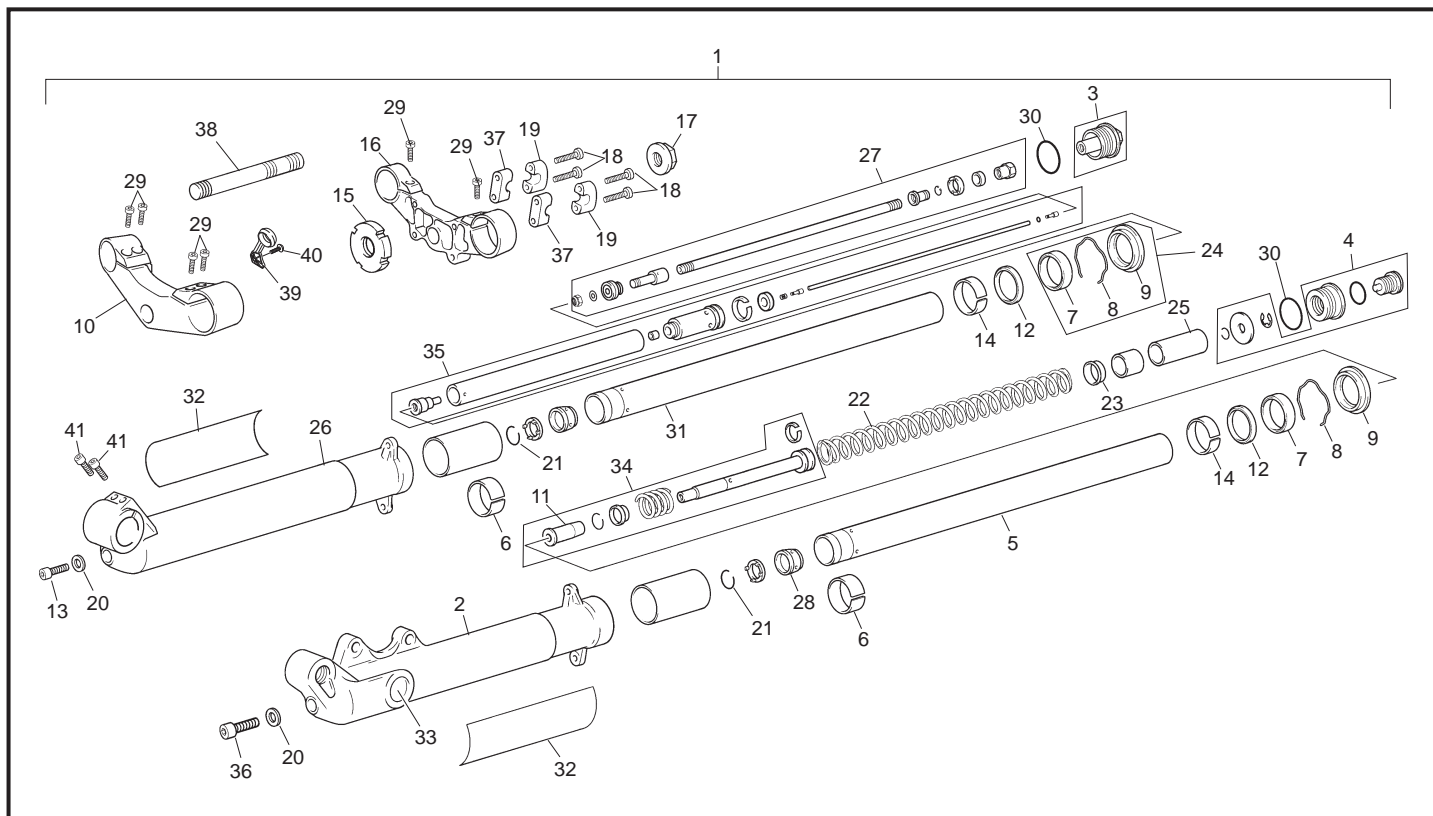


POS.	1.2	2.5	2.9	FRANÇAIS	ENGLISH	ESPAÑOL
1	2252	2252	2252	CADRE TRIAL 2T ET 4T 2010 TRIAL	FRAMETRIAL 2T AND 4T 2010 TRIAL	CHASIS TRIAL 2T Y 4T 2010 TRIAL
2	2865	2251	2251	PATE FIXATION CYLINDRE 2.5/2.9 2010	CLINDER SUPPORT 2.5/2.9 2010	TIRANTE CILINDRO 2.5/2.9 2010
3	2300	2300	2300	SABOT 2010	BASH PLATE 2010	PROTECTOR CARTERS MOTOR 2010
4	2327	2327	2327	CAOUTCHOUC MOTEUR 2010	BASH PLATE RUBBER 2010	CAUCHO PLACA MOTOR 2010
5	2015	2015	2015	REPOSE PIED DROIT 2010	RIGHT FOOTREST 2010	ESTRIBERA DERECHA 2010
6	2016	2016	2016	REPOSE PIED GAUCHE 2010	LEFT FOOTREST 2010	ESTRIBERA IZQUIERDA 2010
7	2867	2867	2867	ENTRETOISE REPOSE PIED LONG 2010	SPACER FOOT PEG LONG 2010	CASQUILLO ESTRIBERA LARGO 2010
8	C008	C008	C008	RESSORT REPOSE PIED DROITE	RIGHT FOOTPEG	MUELLE ESTRIBERA DERECHA
9	C009	C009	C009	ROULEMENT COLONNE DIRECTION	STEERING BEARING	COJINETE DIRECCIÓN R32004
10	C010	C010	C010	BAGUE DE PROTEC. HAUTE PLASTIC	PLASTIC DUST COVER	GUARDA POLVO SUPERIOR PLÁSTICO
11	C011	C011	C011	BAGUE DE PROTECTION BASSE	FORK ALUMINIUM WASHER	GUARDA POLVO INFERIOR
12	C012	C012	C012	RESSORT DE REPOSE PIED GAUCHE	LEFT FOOTPEG SPRING	MUELLE ESTRIBERA IZQUIERDA
13	C172	C172	C172	AXE MOTEUR AV	FRONT ENGINE BOLT	TORNILLO MOTOR
14	C013	C013	C013	PATIN CHAINE CADRE	SWINGARM CHAIN PROTECTOR	PATIN CADENA CHASIS
15	2856	2856	2856	ADHESIF PROTEC CADRE JEU 2010	FRAME PROTECTOR STICKER PAIR 2010	ADESIVO PROT. CHASSIS JUEGO 2010
16	M308	M308	M308	ECROU CLIP M6 0500500400	NUT CLIP M6	TUERCA CLIP M6
17	C393	C393	C393	ADESIF	STICKER	TORNILLO 8X40 ALLEN
18	M263	M263	M263	VIS CHC 8X40 0084	SCREW CHC 8X40	TORNILLO M8X40 ALLEN
19	M264	M264	M264	VIS CHC 8X45	SCREW CHC 8X45	TORNILLO M8X45 DIN 912
20	M396	M396	M396	VIS CHC 10X80	SCREW CHC 10X80	TORNILLO M10X80 DIN 912
21	M301	M301	M301	VIS FHC 8X20	SCREW FHC 8X20	TORNILLO M8X20 DIN 7991
22	M304	M304	M304	ECROU NYLSTOP M10	NUT NYLSTOP M10	TUERCA NYLSTOP M10
23	M305	M305	M305	ECROU NYLSTOP M8	NUT NYLSTOP M8	TUERCA NYLSTOP M8
24	M345	M345	M345	VIS BHC 6X12 CARROSSERIE	SCREW BHC 6X12 CARROSSERIE	TORNILLO 6X12 ESPECIAL CARROCERIA
25	M282	M282	M282	VIS BHC 6X10 1093	SCREW BHC 6X10	TORNILLO 6X10 BHC
26	C165	C165	C165	BOUCHON	CUP	TAPÓN
27	3021	3021	3021	RONDELE M10	WASHER M10	ARANDELA M10

Fourche / Fork / Horquilla

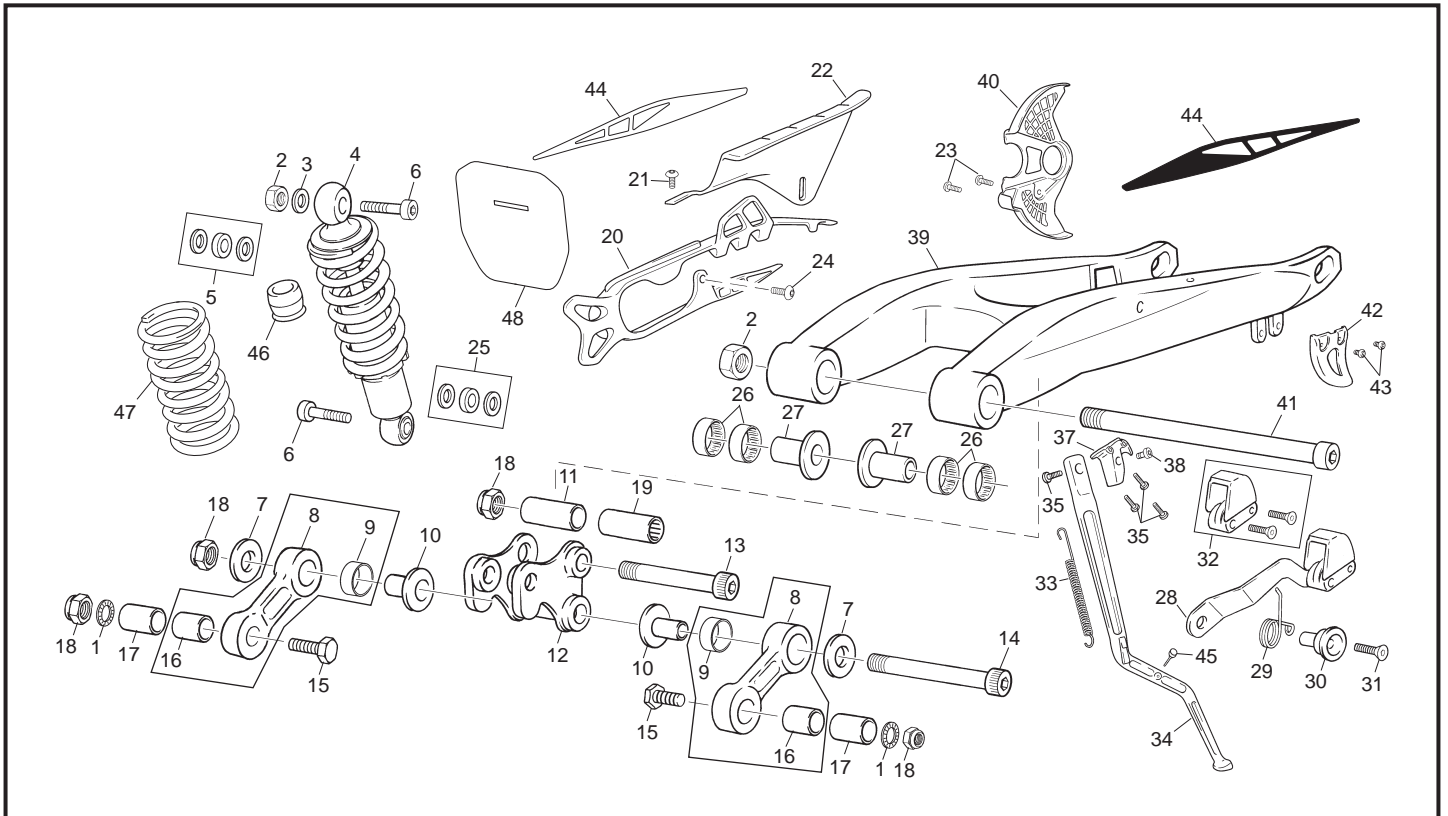


POS.	1.2	2.5	2.9	FRANÇAIS	ENGLISH	ESPAÑOL
1	2281	2281	2281	GRUPE JAMBES MICRO CROME CPL TRIAL '10	GROUP SWEEP MICRO CROME CPL TRIAL '10	GRUPO BARRAS MIC. CROMO CPL TRIAL '10
2	3110	3110	3110	JAMBE GAUCHE FOURCHE 2010	FORK LEFT LEG 2010	BOTELLA IZQUIERDA HORQUILLA 2010
3	3532	3532	3532	BOUCHON DROITE TR 2010	FORK CAP RIGTH TR 2010	TAPÓN DERECHO TR 2010
4	3533	3533	3533	BOUCHON GAUCHE	FORK LEFT	TAPÓN IZQUIERDO
5	3112	3112	3112	TUBE FOURCHE GAUCHE 2010	LEFT FORK TUBE 2010	BARRA HORQUILLA IZQUIERDA 2010
6	R134	R134	R134	ENTRETOISE DU	SPACER	CASQUILLO DU
7	R070	R070	R070	JOINT SPIE DE FOURCHE	FORK OIL SEAL	RETÉN
8	R113	R113	R113	CIRCLIP JOINT SPIE	CIRCLIP OIL SEAL	CIRCLIP RETÉN
9	R096	R096	R096	PARE POUSSIERE FOURCHE	DUST SEAL	GUARDAPOLVO
10	1397	1397	1397	GRUPE T DE FOURCHE INFERIEUR	BOTTOM PLATE BLACK	PLATINA INF. NEGRA
11	R223	R223	R223	CONE	CONE	CONO
12	R131	R131	R131	RONDELLE APUIE	WASHER FORK	ARANDELA APOYO
13	R224	R224	R224	VIS CHC 10X30 FOURCHE	BOLT M10X30	TORNILLO M10X30 D.912
14	R133	R133	R133	DU JAMBE 2000	SPACER	CASQUILLO DU BOTELLA
15	1170	1170	1170	RONDELLE ECROU AXE DIRECTION	RING NUT	TUERCA DIRECCIÓN
16	1398	1398	1398	FOURCHE SUPERIEUR NOIRE	UPPER PLATE BLACK	PLATINA SUPERIOR NEGRA
17	R108	R108	R108	ECROU SUPERIEUR	NUT	TUERCA SUPERIOR
18	1237	1237	1237	VIS CHC M8X35	BOLT M8X35	TORN. ALLEN M8X35 D.912
19	1395	1395	1395	BRIDE GUIDON SUPERIEURE 07	TOP BAR U-CLAMP 07 BLACK	BRIDA SUPERIOR MANILLAR 07 NEGRA
20	R226	R226	R226	RONDELLE 10X17X1,5 FURCHE 2001	WASHER 10X17X1,5	ARANDELA 10X17X1.5
21	R227	R227	R227	ANEAU ELASTIQUE	NUT	ANILLO ELÁSTICO
22	1063	1063	1063	RESSORT FOURCHE	SPRING	MUELLE
23	R111	R111	R111	ENTRETOISE RESSORT FOURCHE	TOP BUSHING	TOPE MUELLE
24	R071	R071	R071	GRUPE GARNITURE FOURCHE COMP.	FORK BUSHING AND SEAL KIT	KIT REPARACIÓN RETÉN
25	R132	R132	R132	ENTRETOISE DU	SPACER	SEPARADOR DU
26	3111	3111	3111	JAMBE DROITE FOURCHE 2010	FORK RIGHT LEG 2010	BOTELLA DERECHA HORQUILLA 2010
27	R228	R228	R228	VALVE DE COMPRESSION	PLASTIC COMPRESSION VALVE	VÁLVULA DE COMPR.
28	R135	R135	R135	RONDELLE APPUI RESSORT 2000	SPRING COLLAR	APOYO MUELLE
29	M261	M261	M261	VIS CHC 8X20	SCREW CHC 8X20	TORNILLO 8X20 ALLEN
30	R230	R230	R230	TORIQUE FOURCHE	ORING	TÓRICA CIERRE
31	3113	3113	3113	TUBE FOURCHE DROITE 2010	RIGHT FORK TUBE 2010	BARRA HORQUILLA DERECHA 2010
32	2841	2841	2841	ADHESIF FOURCHE TRIAL 2010	STICKERS FORK TRIAL 2010	ADHESIVO HORQUILLA TRIAL 2010
33	1589	1589	1589	ADHESIF LOGO CERIANI	CERIANI LOGO STICKER	ADHESIVO LOGO CERIANI
34	1055	1055	1055	GRUPE POMPE	GROUP POMP	GRUPO BOMBA

Fourche / Fork / Horquilla


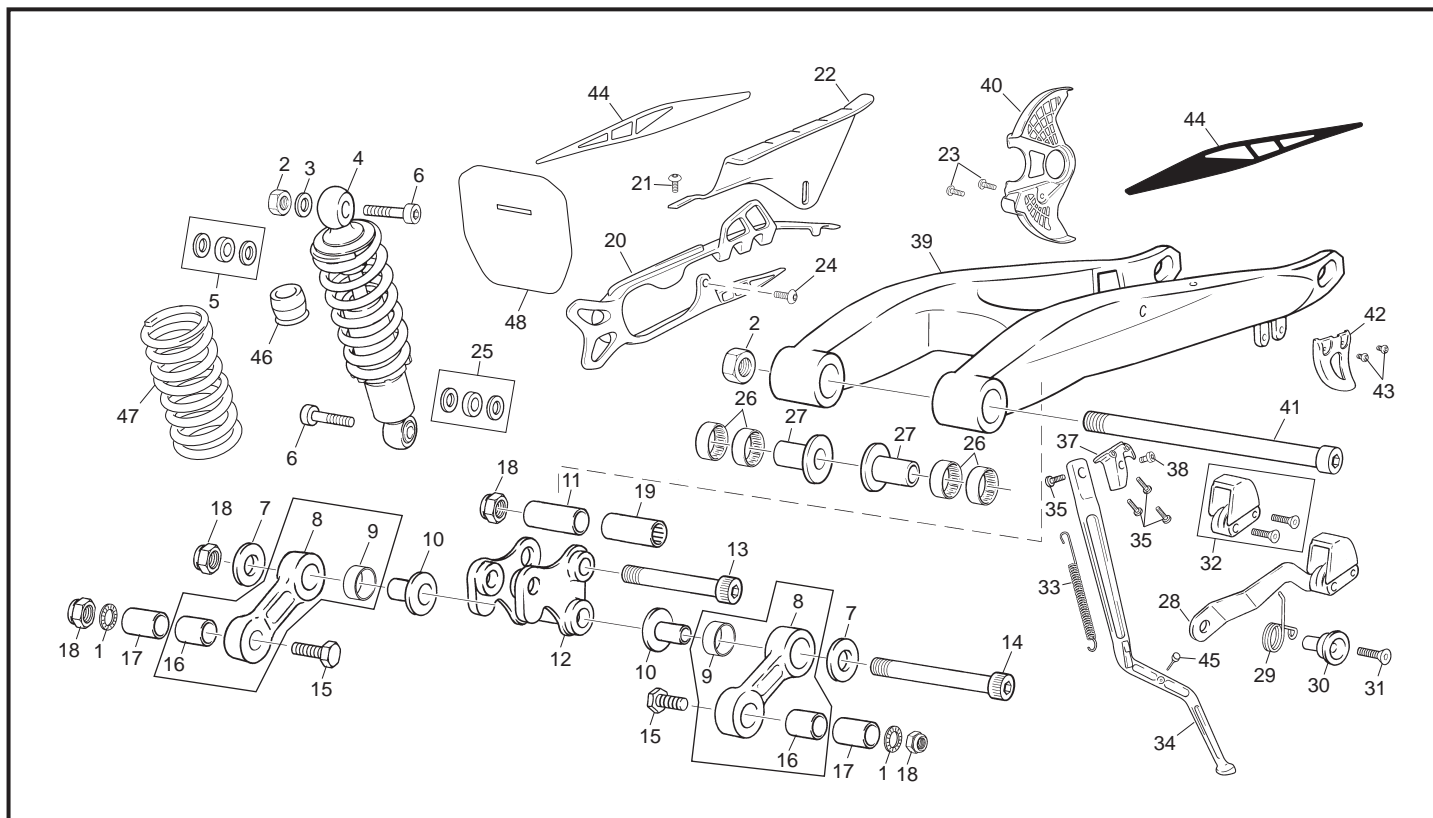
POS.	1.2	2.5	2.9	FRANÇAIS	ENGLISH	ESPAÑOL
35	1059	2359	1059	GRUPE CARTOUCHE	PLUNGER ASSEMBLY	CONJ. BOMBEO
36	R224	R224	R224	VIS CHC 10X30 PARE DISC PAIOLI	SCREW CHC 10X30 WITH HOLE	TORNILLO 10X30 ROSCA INTERIOR
37	1396	1396	1396	BRIDE INFERIEUR TRIAL 07 NOIRE	U-CLAMP INF. HANDER BAR TRIAL 07	BRIDA INFE. TRIAL 07 NEGRA
38	1166	C453	1166	AXE ALUMINIUM	ANS ALUMINIUM	EJE ALUMINIO
39	2359	2359	2359	GUIDE DURITE FREIN AV 2010	GUIDE FRONT BRAKE HOSE 2010	GUIA LATIGUILLO FRENO DEL 2010
40	M258	1166	M258	VIS BHC 5 X 16 1093	SCREW BHC 5 X 16	TORNILLO 5 X 16 ULS
41	0547	0547	0547	VIS TH EP 6 X 30	SCREW TH EP 6 X 30	TORNILLO TH EP 6 X 30

Amortisseur - Bras oscillant / Rear Shock - Swingarm / Amortiguador - Basculante



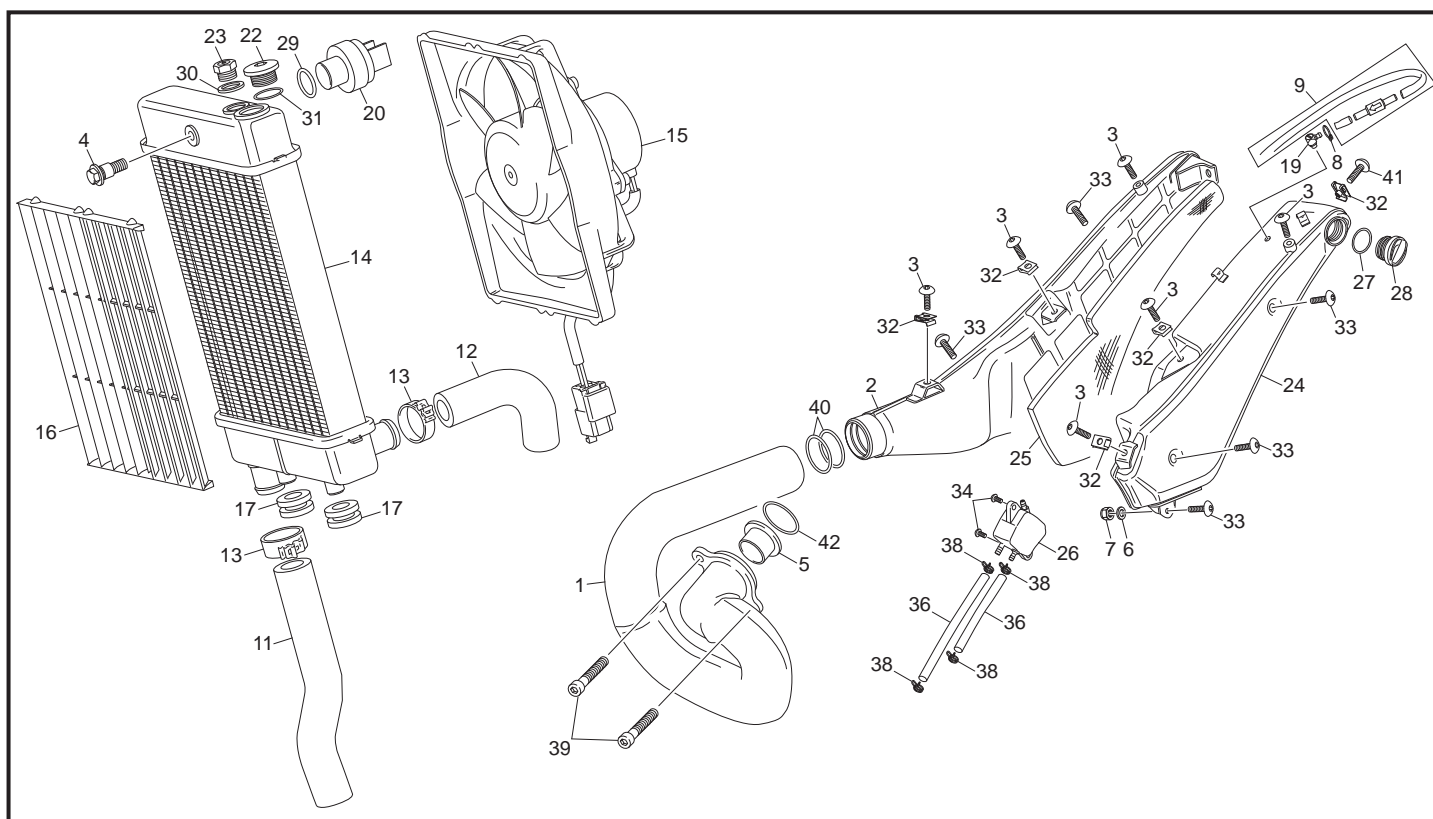
POS.	1.2	2.5	2.9	FRANÇAIS	ENGLISH	ESPAÑOL
1	1432	1432	1432	RONDILLE AET 8	WASHER AET 8	ARANDELA AET 8
2	M310	M310	M310	ECROU NYLSTOP M10	NUT NYLSTOP M10	TUERCA NYLSTOP M10
3	M315	M315	M315	RONDILLE X 10 1405 010	WASHER X 10	ARANDELA X 10 DIN 125 A
4	2829	2829	2829	AMORTISSEUR TRIAL 2010	REAR SHORK TRIAL 2010	AMORTIGUADOR TRIAL 2010
5	1685	1685	1685	KIT ROTULE AMORTISSEUR 08	SHOCK ROTULE KIT 08	KIT ROTULA AMORTIGUADOR 08
6	C173	C173	C173	AXE 10 X 42	PIN10 X 42	EJE 10 X 42
7	M320	M320	M320	RONDILLE 10 X 30 X 2.5 0416	WASHER 10 X 30 X 2.5	ARANDELA 10 X 30 X2,5 DIN 9021
8	C157	C157	C157	BIELETTE TIRANT SIMPLE	REAR SUSPENSION LINK	BIELETA SUSPENSIÓN
9	2945	2945	2945	DOUILLE FRICTION 16X18X15	BEARING FUCTION 16X18X15	COJINETE FRICTION 16X18X15
10	C171	C171	C171	ENTRETOISE ARTICULATION BRAS	SPACER SWING ARM	CASQUILLO EJE BASCULANTE
11	C152	C152	C152	ENTRETOISE SUSPENSION	SPACER SUSPENSION	CASQUILLO SUSPENSIÓN
12	2930	2930	2930	BIELETTE DELTA TRIAL 2010	REAR SUSPENS. DELTA LINK TRIAL 2010	TRAPECIO SUSPENSIÓN TRIAL 2010
13	C174	C174	C174	AXE 10 X 72	PIN 10 X 72	EJE 10 X 72
14	C172	C172	C172	AXE 10 X 1250	PIN 10 X 120	EJE 10 X 120
15	C175	C175	C175	VIS HEXA TETE BASSE	SPECIAL HEAD SCREW HEX	TORNILLO HEX C/REBAJADA
16	2946	2946	2946	DOUILLE FRICTION 14X16X15	BEARING FUCTION 14X16X15	COJINETE FRICTION 14X16X15
17	C170	C170	C170	ENTRETOISE TIRANT	LINK SPACER	CASQUILLO BIELETE
18	M305	M305	M305	ECROU NYLSTOP M8 0368.8	NUT NYLSTOP M8	TUERCA NYLSTOP M8
19	C167	C167	C167	DOU. AIGUI. BRAS/ SUSP HK16X20X2RS	BEARING HK 16202RS	CAS. AGUJAS BAS/SUSP HK16202RS
20	1207	1207	1207	PATIN DE CHAINE	CHAIN GUIDE PLATE	PATÍN CADENA
21	M258	M258	M258	VIS BHC 5 X16 1093	SCREW BHC 5X16	TORNILLO 5X16 ULS
22	1208	1208	1208	CARTER DE CHAINE	CHAIN PROTECTOR	CUBRECADENAS
23	M282	M282	M282	VIS BHC 6X10	SCREW BHC 6X10	TORNILLO 6X10 ULS
24	M278	M278	M278	VIS BHC 5X10	SCREW BHC 5X10	TORNILLO BHC 5X10
25	1118	1118	1118	KIT ROTULE 06	KIT	KIT ROTULA 06
26	C151	C151	C151	DOUILLE AIGUILLE BRAS HK 20X20X2 RS	BEARING HK 20X20X2RS	CAS. AGUJAS BASCU. HK 20X20X2RS
27	C153	C153	C153	ENTRETOISE ARTICULATION BRAS	SPACER SWING ARM	CASQUILLO EJE BASCULANTE
28	C164	C164	C164	TENDEUR DE CHAINE	CHAIN TENSIONER	ENSOR CADENA
29	R205	R205	R205	RESSORT TENDEUR DE CHAINE	SPRING CHAIN TENSIONER	MUELLE TENSOR CADENA
30	R206	R206	R206	ENTRETOISE TENDEUR DE CHAINE	SPECER CHAIN ADJUST	CASQUILLO TENSOR CADENA
31	M300	M300	M300	VIS FHC 8 X 35 1089	SCREW FHC 8 X 35	TORNILLO AVELLANADO M8 X 35
32	R047	R047	R047	CAOUTCHOUC TENDEUR SEUL	CHAIN STRETCHER PLATE	GOMA TENSOR CADENA
33	C161	C161	C161	RESSORT DE BEQUILLE	SIDE STAND SPRING	MUELLE CABALLETE
34	1480	1480	1480	BEQUILLE SEULE 08	LATERAL STAND 08	CABALLETE 08

Amortisseur - Bras oscillant / Rear Shock - Swingarm / Amortiguador - Basculante



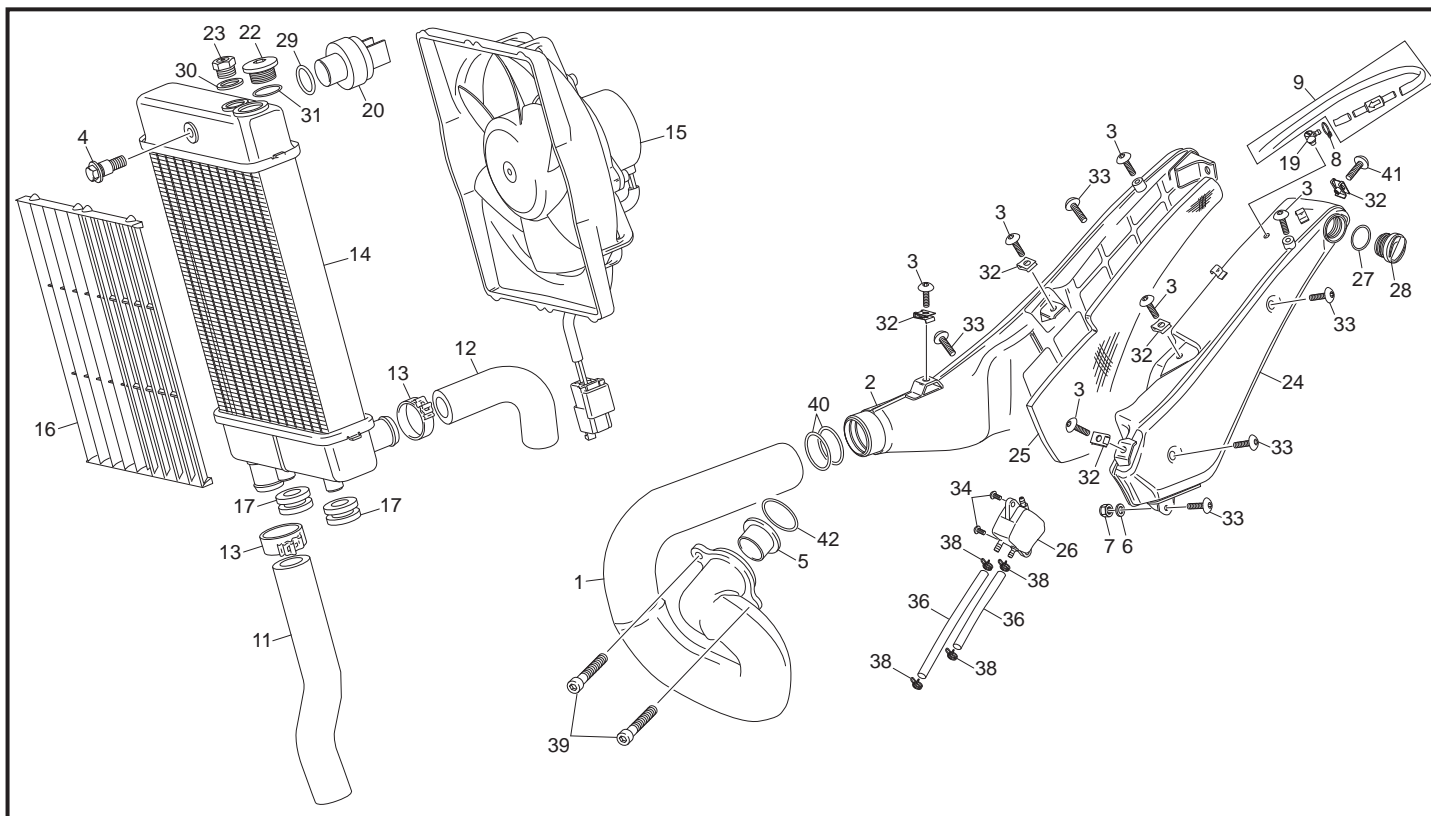
POS.	1.2	2.5	2.9	FRANÇAIS	ENGLISH	ESPAÑOL
35	M281	M281	M281	VIS BHC 8 X 12 1093	SCREW BHC 8 X 12	TORNILLO M8 X 12 ULS
37	2892	2892	2892	SUPPORT DE BEQUILLE ALUMINIUM	ALUMINIUM STAND HOLDER	SOPORTE CABALLETE ALUMINIO
38	C166	C166	C166	VIS SPECIALE BEQUILLE	SIDE STAND SPECIAL BOLT	TORNILLO ESPECIAL CABALLETE
39	1093	1093	1093	BRAS OSCILLANT MAT 07	SWINGARM MAT 07	BASCULANTE MAT 07
40	2024	2024	2024	PROTECTEUR DISC ARRIERE NOIR 09	BRAKE DISC PROTECTOR BLACK 09	PROTECTOR DISCO TRAS. NEGRO 09
41	C154	C154	C154	AXE BRAS OSCILLANT	ALUMINIUM SWINGARM AXL	EJE BASCULANTE ALUMINIO
42	2026	2026	2026	PROTECTEUR COURRONE NOIRE 09	PROTECTEUR SPROKET BLACK 09	PROTECTOR CORONA NEGRO 09
43	M278	M278	M278	VIS BHC 5 X10 1093	SCREW BHC 5X10	TORNILLO 5X10 ULS
44	2840	2840	2840	ADHESIF BRAS JEU TRIAL 2010	SWINGARM STICKER GROUP TRIAL 2010	ADHES. BASCULANTE JUEGO TRIAL 2010
45	1663	1663	1663	CAOUTCHOUC BEQUILLE	RUBBER STAND	GOMA CABALLETE 08
46	1686	1686	1686	BUTEE CAOUTCHOUC AMORTISSEUR	RUBBER REAR SHOCK 08	GOMA TOPE AMORTIGUADOR 08
47	3545	3545	3545	RESSORT AMORTISSEUR TRIAL 10	SPRING SHOCK ABSORVER	MUELLE AMORTIGUADOS
48	3425	3425	3425	BAVETTE AMORTISSEUR SSDT	SHOCK ABSORBER PROTECTOR SSDT	PROTECTOR AMORTIGUADOR SSDT

Radiateur / Radiator / Radiador



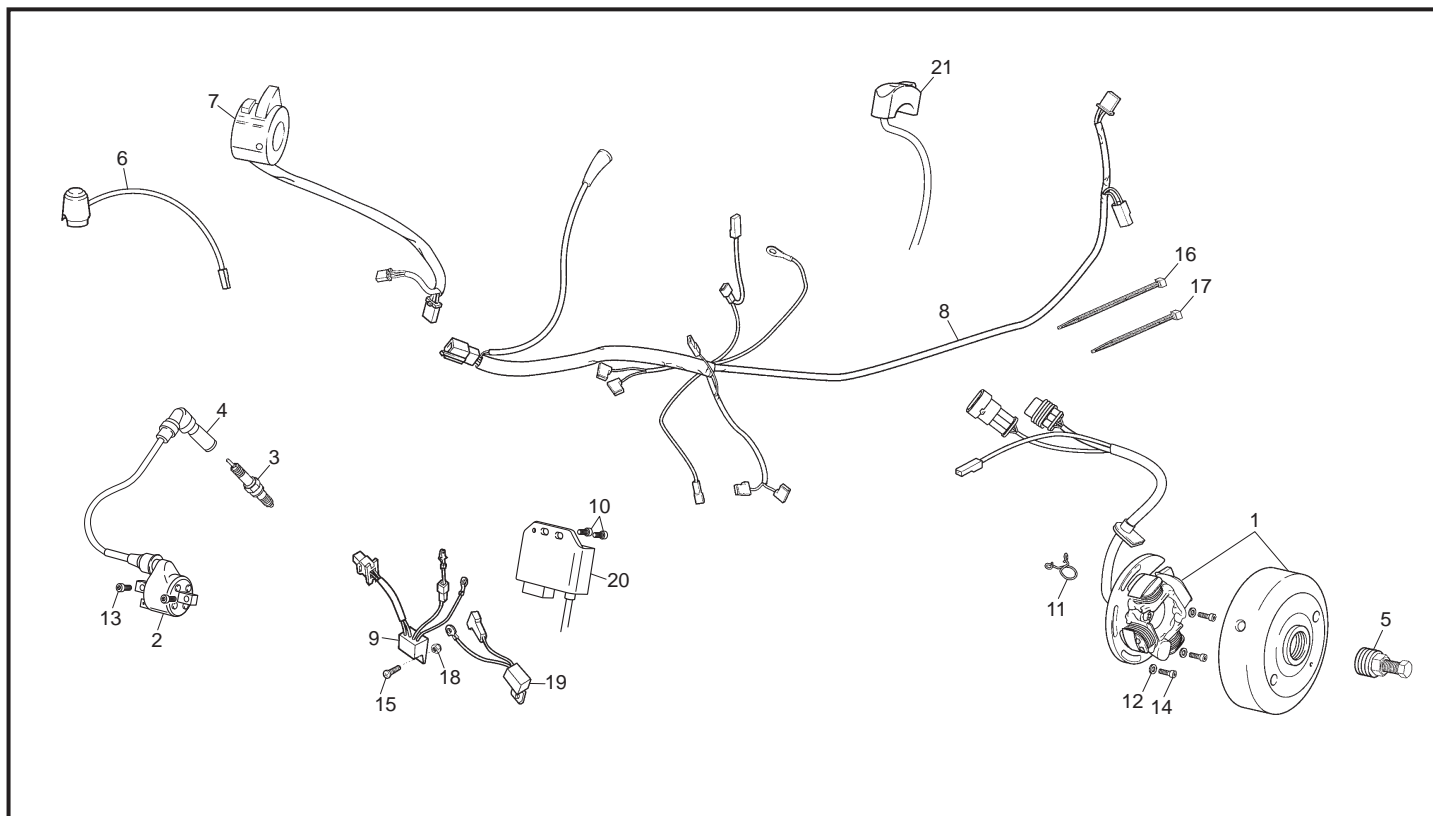
POS.	1.2	2.5	2.9	FRANÇAIS	ENGLISH	ESPAÑOL
1	2379	2379	2379	TUBE ECHAPPEMENT 1.2-2.5-2.9 2010	EXHAUST PIPE 1.2-2.5- 2.9 2010	CURVA DE ESCAPE 1.2-2.5- 2.9 2010
2	2259	2259	2259	POT CENTRAL ALU 2T 2010	EXH CENTRAL ALU 2010	SILENCIOSO CENTRAL ALU 2010
3	M345	M345	M345	VIS 6X12	SCREW 6X12	TORNILLO 6X12
4	1289	1289	1289	VIS	SCREW	TORNILLO
5	2834	----	----	REDUCTOR ESCAPE 125CC 2010	REDUCTION EXHAUST 125CC 2010	REDUCTOR ESCAPE 125CC 2010
6	M321	M321	M321	RONDELLE	WASHER	ARANDELA
7	M306	M306	M306	ECROU M6	NUT M6	TUERCA M6
8	2846	2846	2846	COLLIER DURITE ESSENCE	COLLARD NORMA 32/50	ABRAZADERA TUBO GASOLINA
9	2365	2365	2365	VALVE ANTI RETOUR	ANTI RETURN VALVE	VÁLVULA ANTI RETORNO
11	2368	2366	2366	DURITE POMPE A EAU RADIATEUR 2010	RUBBER TUBE WATERPUMP/RADIAT. 2010	MANGUITO BOMBA/RADIADOR 2010
12	2367	2367	2367	DURITE CULASSE RADIATEUR 2010	RUBBER CILYN. HEARD RADIATOR 2010	MANGUITO CULATA/RADIADOR 2010
13	C029	C029	C029	COLLIER DE DURITE NORMA VERT 21	HOSE CLAMP	ABRAZADERA 21 VERDE
14	2260	2260	2260	RADIATEUR 2T 2010	RADIATOR 2S 2010	RADIADOR 2T 2010
15	1523	1523	1523	VENTILATEUR COMEX 120	FAN COMEX 120	VENTILADOR COMEX 120
16	C713	C713	C713	GRILLE RADIATEUR	RADIATOR PROTECTOR	RESINA RADIADOR
17	C118	C118	C118	SILENT-BLOC RADIATEUR	SILENT-BLOC RADIATOR	SILENT-BLOC RADIADOR
19	2274	2274	2274	RACORD MISE A L'AIR TR 2010	RACORD AIR INSIDE TR 2010	RACORD ENTRADA AIRE TR 2010
20	2256	2256	2256	THERMOCONTACT 2T 2010 75-68	THERMOSTAT 2T 2010 75-68	TERMOCONTACTO 2T 2010 75-68
22	2906	2906	2906	BOUCHON RADIATEUR TRIAL 2010	RADIATOR TAP TRIAL 2010	TAPÓN RADIADOR TRIAL 2010
23	2269	2269	2269	VALVE PRESSION RADIATEUR	PRESSION VALVE RADIATOR	VÁLVULA PRESIÓN RADIADOR
24	2273	2273	2273	RESERVOIR TRIAL ALU 2010	PETROL TANKTRIAL ALU 2010	DEPÓSITO TRIAL ALU. 2010
25	2363	2363	2363	PROTEC. TERMIQUE RESERV. TRIAL 2010	THERMIC PROTEC. SIDE TANK TRIAL 2010	PROTEC. TÉRMICO DEPÓSITO TRIAL 2010
26	2311	2311	2311	POMPE A ESSENCE TRIAL	PETROL PUMP TRIAL	BOMBA DE GASOLINA TRIAL
27	2320	2320	2320	JOINT BOUCHON ESSENCE TRIAL 2010	SEAL PETROL CAP TRIAL 2010	JUNTA TAPÓN GASOLINA TRIAL 2010
28	2270	2270	2270	BOUCHON ESSENCE 2010	PETROL CAP 2010	TAPÓN GASOLINA 2010
29	M651	M651	M651	JOINT TORIQUE THERMOSTAT 2010	O-RING THERMOSTAT 2010	TÓRICA TERMOSTATO 2010
30	2860	2860	2860	RONDELLE ALU 8X12X1	WASHER ALU 8X12X1	ARENDELA ALU. 8X12X1
31	M168	M168	M168	TORIQUE BOUCHON RADIATEUR	O-RING RADIATOR CAP	TÓRICA TAPÓN RADIADOR
32	M308	M308	M308	ECROU CLIP M6 0500500400	NUT CLIP M6	TUERCA CLIP M6
33	2937	2937	2937	VIS VHC 5X8	SCREW VHC 5X8	TORNILLOS ULS 5X8
34	M258	M258	M258	VIS BHC 5 X 16 1093	SCREW BHC 5 X 16	TORNILLO 5 X 16 ULS
36	M012	M012	M012	DURITE ESSENCE CARBURATEUR	RUBBER TUBE PETROL	TUBO GASOLINA CARBURADOR

Radiateur / Radiator / Radiador

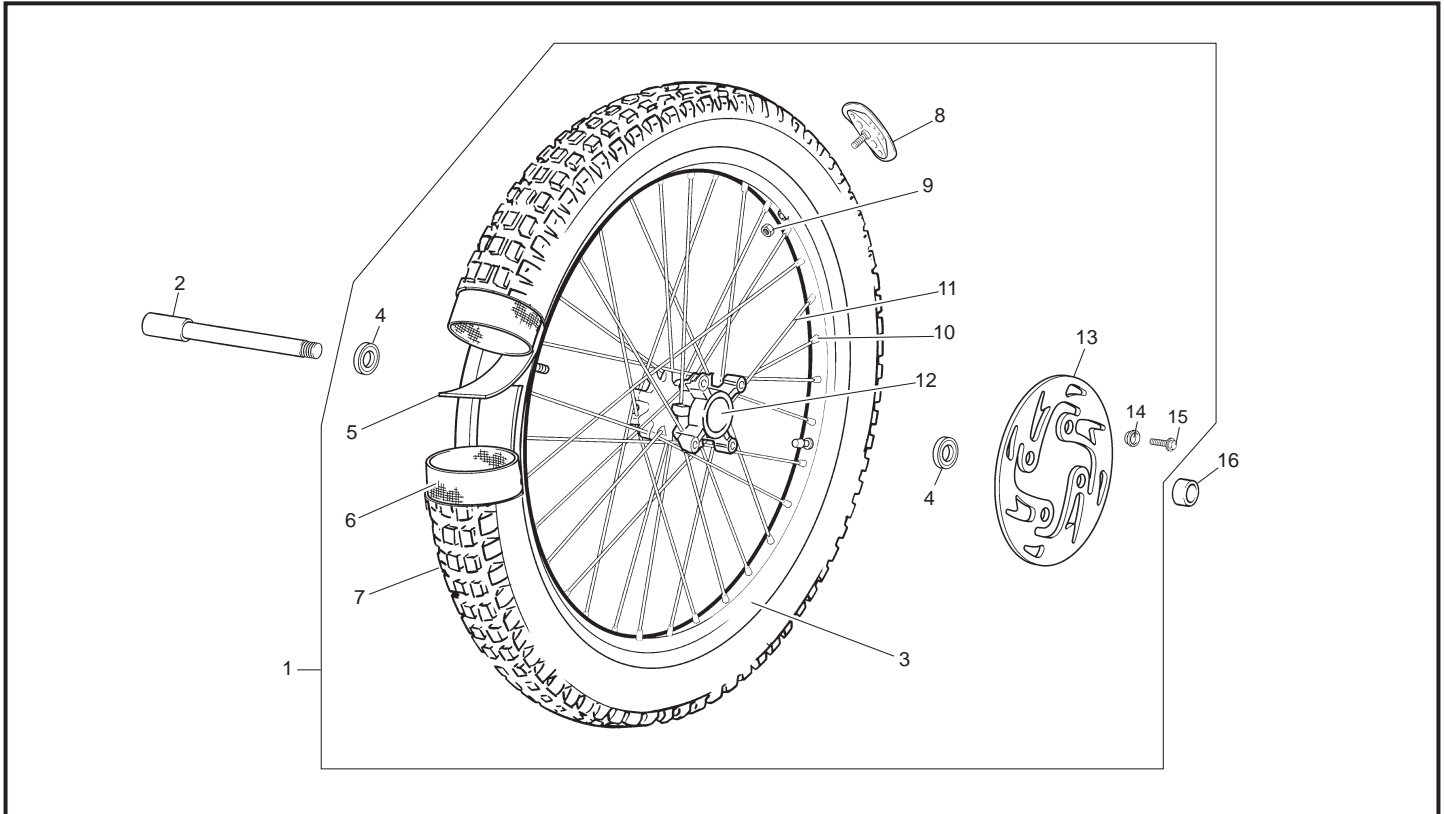


POS.	1.2	2.5	2.9	FRANÇAIS	ENGLISH	ESPAÑOL
38	2846	2846	2846	COLLIER DURITE ESSENCE	COLLARD PETROL PIPE	ABRAZADERA TUBO GASOLINA
39	2937	2937	2937	VIS BHC 5X8	SCREW BHC 5X8	TORNILLO ULS 5X8
40	C104	C104	C104	JOINT TORIQUE POT CENT. 44X51X3,50	EXH. CENTRAL O-RING 44X51X3,50	TÓRICA SILEN. CENTRAL 44X51X3,50
41	M269	M269	M269	VIS BHC 6X20 CARROSSERIE	SCREW BHC 6X20 CARROSERIE	TORNILLO 6X20 ESPECIAL CARROSERÍA
42	C122	C122	C122	JOINT CUIVRE 38X44X2.5	GASKET RING 38X44X2.5	JUNTA COBRE 38X44X2.5

Faisceau électrique / Electrical system / Instalación eléctrica

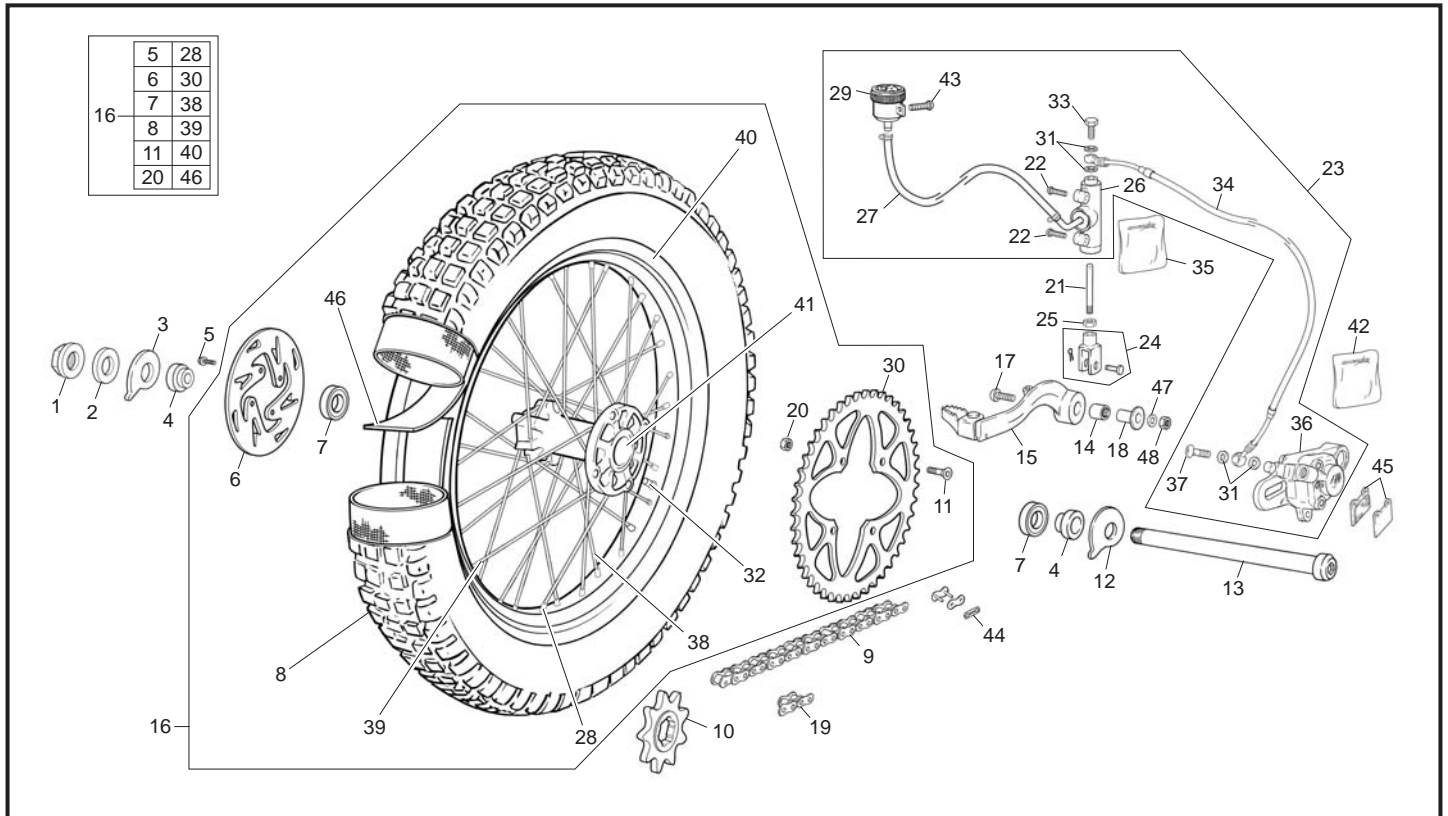


POS.	1.2	2.5	2.9	FRANÇAIS	ENGLISH	ESPAÑOL
1	2973	2817	2817	ALLUMAGE CPL DIGITAL 2010	IGNITION CPL DIGITAL 2010	ENCENDIDO CPL DIGITAL 2010
2	2818	2818	2818	BOBINE LEONELLI TRIAL 2010	ELECTRONIC BOX LEONELLI TRIAL 2010	BOBINA LEONELLI TRIAL 2010
3	M183	M183	M183	BOUGIE	SPARK PLUG	BUJÍA
4	M184	M184	M184	ANTI PARASITE	SPARK PLUG CAP	PIPA BUJÍA
5	R075	R075	R075	OUTIL EXTRACTEUR ROTOR ALLUMAGE	FLYWHEEL PULLER	EXTRACTOR ENCENDIDO
6	2972	2972	2972	STOP MOTOR TB D28	STOP ENGINE TR D28	STOP MOTOR TR D28
7	C038	C038	C038	COMUTATEUR ELECTRIQUE	LIGHT SWITCH ASSEMBLY	CONMUTADOR LUCES
8	2820	2820	2820	FAISCEAU ELECTR. PRINCIPAL TRIAL 2010	ELECTRIC CABLE	CABLE ELECTICO
9	1681	1681	1681	DIODE REDRESSEUS VENT. COMEX	DIODE FAN COMEX	RECTIFICADOR VENT. COMEX
10	M282	M282	M282	VIS ULS 6X10	SCREW ULS 6X10	TORNILLO 6X10 ULS
11	M273	M273	M273	CAVALIER NORMA BSL1X8	FORMED WIRE CLIP	BRIDA NORMA BSL1X8
12	M275	M275	M275	RONDILLE X5	WASHER X5	ARANDELA 5 DIN125 A
13	M251	M251	M251	VIS 6X16	SCREW 6X16	TORNILLO M6X16
14	M250	M250	M250	VIS BHC 6X16	SCREW BHC 6X16	TORNILLO M6X16 ULS
15	M306	M306	M306	ECROU NYLSTOP M6	NUT NYLSTOP M6	TUERCA NYLSTOP M6
16	M330	M330	M330	COLLIER 178X4.8	ZIP TIE 178 X 4.8	BRIDA 178X4.8
17	M331	M331	M331	COLLIER 100X2.5	ZIP TIE 80 X 2.5	BRIDA 100X2.5
18	M274	M274	M274	RONDILLE GROSVER X6 DIN 67985	WASHER 6 DIN 67985	ARANDELA DENTADA 6 DIN 67985
19	M182	M182	M182	REGULATEUR	REGULATOR	REGULADOR
20	2819	2819	2819	CDI MOT. TRIAL DOUBLE COURBE 2T '10	CDI BOX ENG. TRIAL DOUBLE CURBA 2T '10	CDI DIG. REPROG. TRIAL DOB. CURVA 2T '10
21	1380	1380	1380	COMUTATEUR SÉLECTION DOUBLE 2T	COMMAND DOUBLE SELECTION 2T	CONMUTADOR SELECCIÓN DOBLE 2T

Roue avant / Front wheel / Rueda delantera


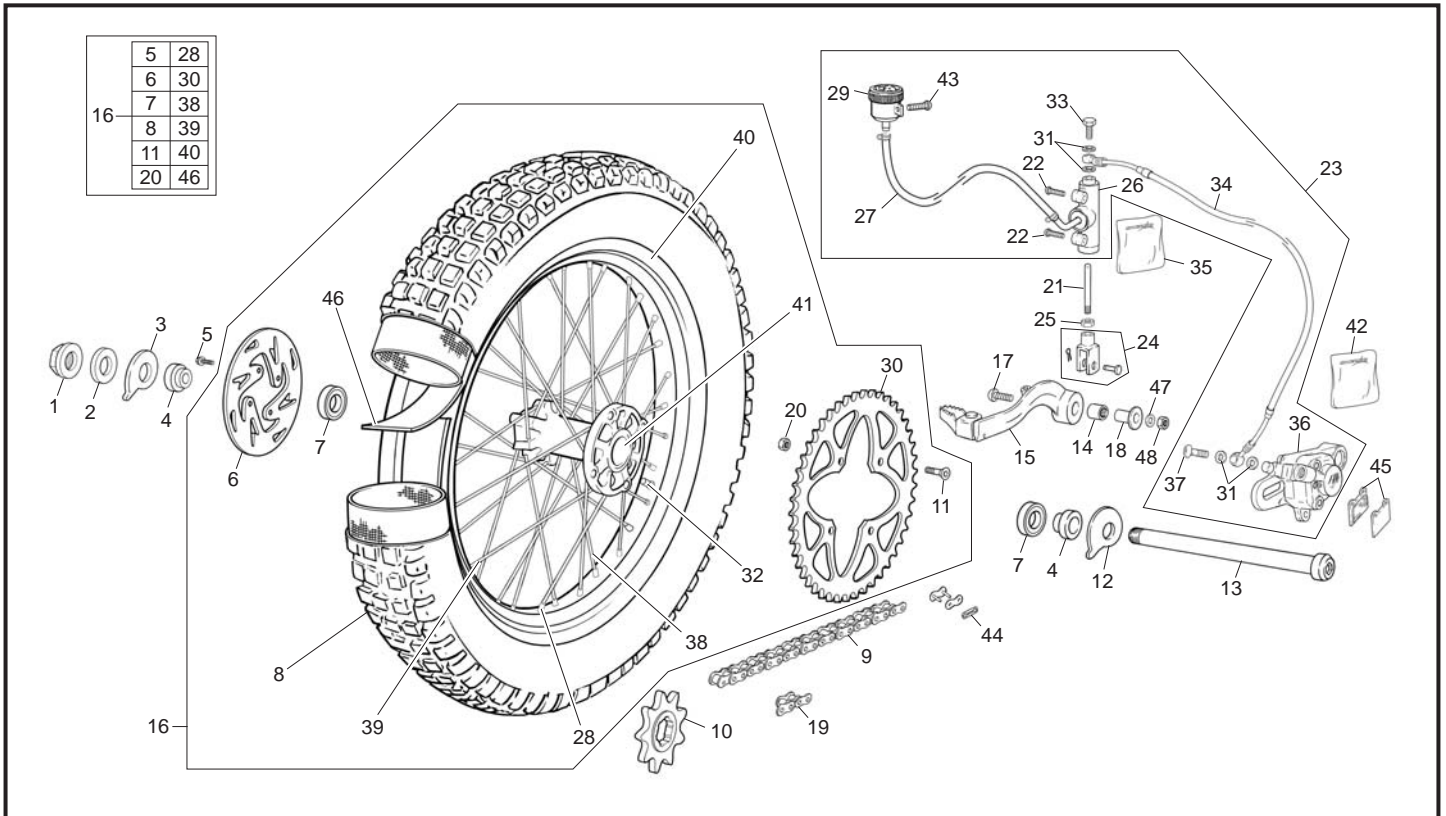
POS.	1.2	2.5	2.9	FRANÇAIS	ENGLISH	ESPAÑOL
1	2276	2276	2276	ROUE AVANT 2010	FRONT WHEEL 2010	RUEDA DELANTERA 2010
2	C205	C205	C205	AXE DE ROUE AVANT	FRONT WHEEL AXLE	EJE RUEDA DELANTERA
3	C759	C759	C759	JANTE AVANT RAYONS NOIR	FRONT RIM BLACK	LLANTA DELANTE NEGRA
4	R049	R049	R049	ROULEMENT DE MOYEU 6004 2RS	BEARING HUB 6004 2RS	RODAMIENTO BUJE 6004 2RS
5	C201	C201	C201	RUBAN FOND DE JANTE R14025	RIM RUBBER PROTECTION	GOMA PROTECCIÓN LLANTA
6	C202	C202	C202	CHAMBRE A AIR 21AB	21 TUBE	CAMARA 21
7	C204	C204	C204	PNEU AVANT 2,75X21	FRONT TIRE 2,75 X 21	NEUMÁTICO DELANTERO 2,75 X 21
8	C203	C203	C203	GRISTER	TYRE STAY	AGARRACUBIERTAS
9	M305	M305	M305	ECROU NYLSTOP M8 0368.8	NUT NYLSTOP M8	TUERCA NYLSTOP M8
10	3398	3398	3398	ECROU DE RAYON AVANT	FRONT NEEPLE SPOCKE	TUERCA RADIO DELANTERO
11	2941	2941	2941	RAYON NOIR ROUE AV 32 R	BLACK FRONT SPOKE WHEEL 32 R	RADIO NEGRO RUEDA DEL. 32 R
12	C320	C320	C320	MOYEU AVANT	FRONT HUB	BUJE DELANTERO
13	2001	2001	2001	DISQUE FREIN AVANT TRIAL 09	FRONT DISC TRIAL 09	DISCO DELANTERO TRIAL 09
14	C209	C209	C209	ENTRETOISE DISQUE AVANT	SPACER DISC	CASQUILLO FLOTANTE DISCO
15	C452	C452	C452	VIS HEXAGONAL EPAULE M6 X 18	SCREW EXAGONAL M6 X 18	TORNILLO HEXA. M6 X 18
16	C333	C333	C333	ENTRETOISE ROUE AVANT	FRONT BRUSH	SEPARADOR EJE RUEDA DELANTERA

Roue arriere / Rear wheel / Rueda trasera



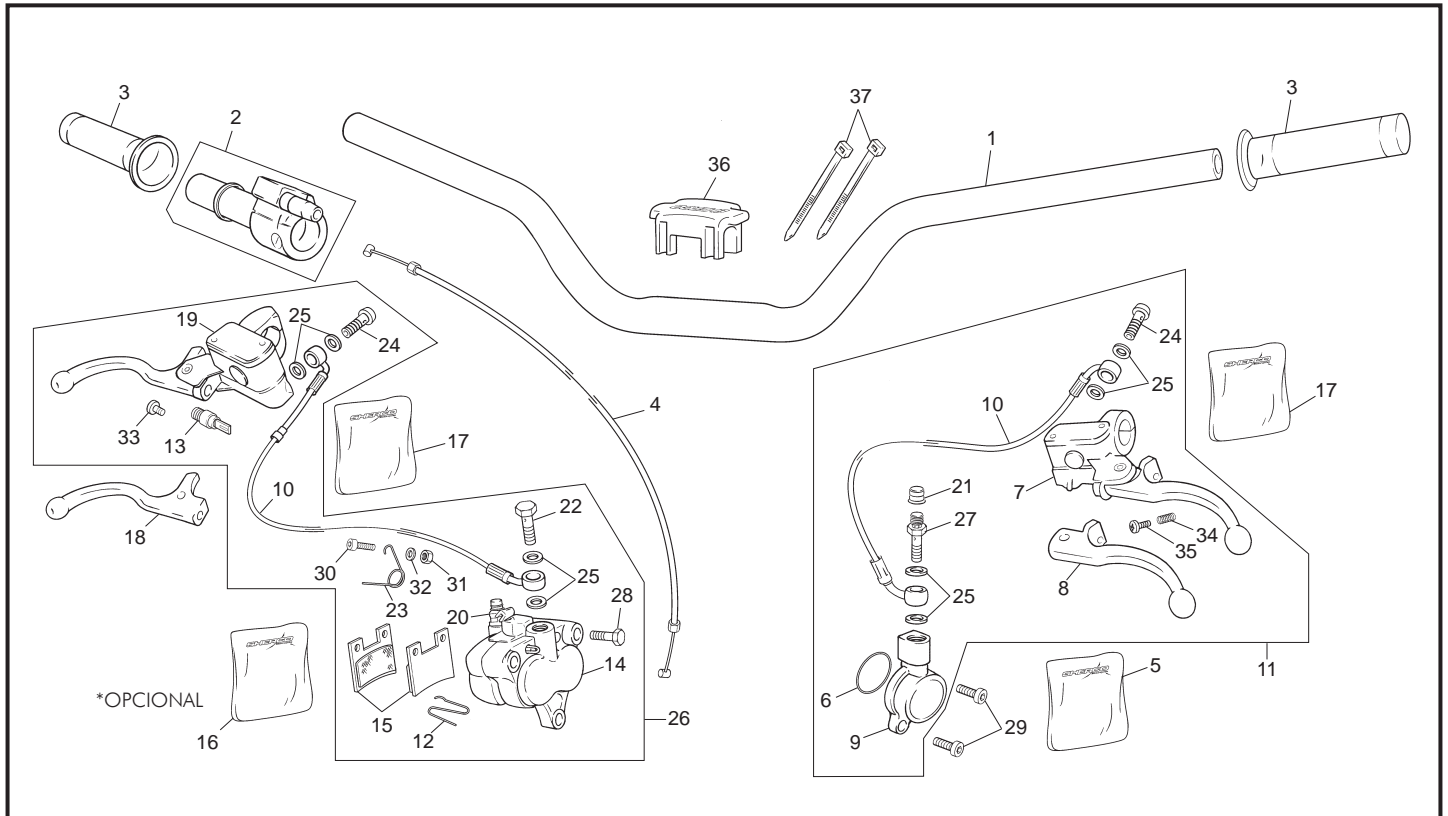
POS.	1.2	2.5	2.9	FRANÇAIS	ENGLISH	ESPAÑOL
1	C253	C253	C253	ECROU ROUE ARRIERE	REAR AXLE NUT	TUERCA EJE RUEDA TRASERA
2	M314	M314	M314	RONDILLE X 16 1405 016	WASHER X 17	ARANDELA X 17
3	C254	C254	C254	EXENTRIQUE DROIT TENDEUR CHAINE	RUNNER CHAIN	EXCÉNTRICA DERECHA
4	C255	C255	C255	ENTRETOISE ROUE ARRIERE	REAR BRUSH	SEPARADOR RUEDA TRASERA
5	M249	M249	M249	VIS BHC 8 X 20	SCREW BHC 8 X 20	TORNILLO BHC 8 X 20
6	2002	2002	2002	DISQUE FREIN ARRIERE WAVE TRIAL	REAR DISC WAVE TRIAL	DISCO FRENO TRASERO WAVE TRIAL
7	R049	R049	R049	ROULEMENT DE MOYEU 6004 2RS	BEARING HUB 6004 2RS	RODAMIENTO BUJE 6004 2RS
8	C251	C251	C251	PNEU ARRIERE 400 X 18	REAR TYRE 400 X 18	NEUMÁTICO 400 X 18 TUBELESS
9	3376	C265	C265	CHAINE	CHAIN	CADENA
10	M227	C267	C267	PIGNON	SPROCKET	PIÑÓN
11	M287	M287	M287	VIS BHC 8 X 22	SCREW BHC 8 X 22	TORNILLO BHC 8 X 22
12	C256	C256	C256	EXENT. GAUCHE TENDEUR CHAINE	LEFT REAR AXLE EXCENTRIC	EXCÉNTRICA IZQUIERDA
13	C326	C326	C326	AXE ROUE ARRIERE 2002	AXELE BACK WEEL 2002	EJE RUEDA TRAS. 2002
14	2299	2299	2299	DOUILLE BRONZE PEDALE FREIN	BEARING	CASQUILLO BRONCE PEDAL FRENO
15	C327	C327	C327	PEDALE DE FREIN 2002	REAR BRAKE PEDAL 2002	PEDAL FRENO TRASERO 2002
16	2277	2277	2277	ROUE ARRIERE 2010	BACK WEEL 2010	RUEDA TRAS 2010
17	2326	2326	2326	VIS BHC 8 X 35	SCREW BHC 8X35	TORNILLO M8 X 35 ULS
18	C264	C264	C264	ENTRETOISE PEDALE DE FREIN	SPACER BRAKE PEDAL	CASQUILLO PEDAL DE FRENO
19	C304	C304	C304	1/2 MAILLON DE CHAINE	HALF COMPLING CONNECTION	MEDIA MALLA DE CADENA
20	M305	M305	M305	ECROU NYLSTOP M8	NUT NYLSTOP M8	TUERCA NYLSTOP M8
21	C261	C261	C261	TIGE FREIN ARRIERE	PIN BRAKE ROD	TIJA PEDAL FRENO TRASERO
22	M284	M284	M284	VIS BHC 6 X 25	SCREW BHC 6 X 25	TORNILLO 6 X 25
23	C321	C321	C321	GROUPE FREIN ARRIERE 2002	REAR BRAKE COMPLETE 2001	CTO FRENO TRASERO 2001
24	C259	C259	C259	CHAPE PEDALE FREIN 0267	REAR BRAKE ROD	HORQUILLA PEDAL DE FRENO
25	M309	M309	M309	ECROU STANDARD M6 0317	NUT M6	TUERCA M6
26	C385	C385	C385	POMPE FREIN AR 9,5	REAR MASTER CYLINDER 9,5	BOMBA FRENO TRASERO
27	R069	R069	R069	TUBE LIQUI. FREIN BOCAL/POMPE	OIL TANK TUBE L 210	TUBO LIQUIDO FRENO L 210
28	R067	R067	R067	ECROU DE RAYON AR	REAR NIPPLE SPOKE	TUERCA RADIOS TRASEROS
29	R066	R066	R066	BOCAL LIQUIDE FREIN	OIL TANK BRAKE	DEPÓSITO LIQUIDO FRENO
30	C331	C330	C330	COURRONE 42D 4 TROUS	REAR SPROCKET 42D 2002	CORONA 42D 4TROUS 2002
31	R074	R074	R074	RONDILLE BANJO	ALUMINIUM SEAL	ARANDELA BANJO
32	R061	R061	R061	VALVE AR	TUBLESS VALVE	VÁLVULA
33	R059	R059	R059	VIS DE PURGE	SCREW PURGE	TORNILLO RACORD
34	C388	C388	C388	DURITE FREIN ARRIERE	REAR BRAK HOSE	LATIGUILLO FRENO TRASERO

Roue arriere / Rear wheel / Rueda trasera



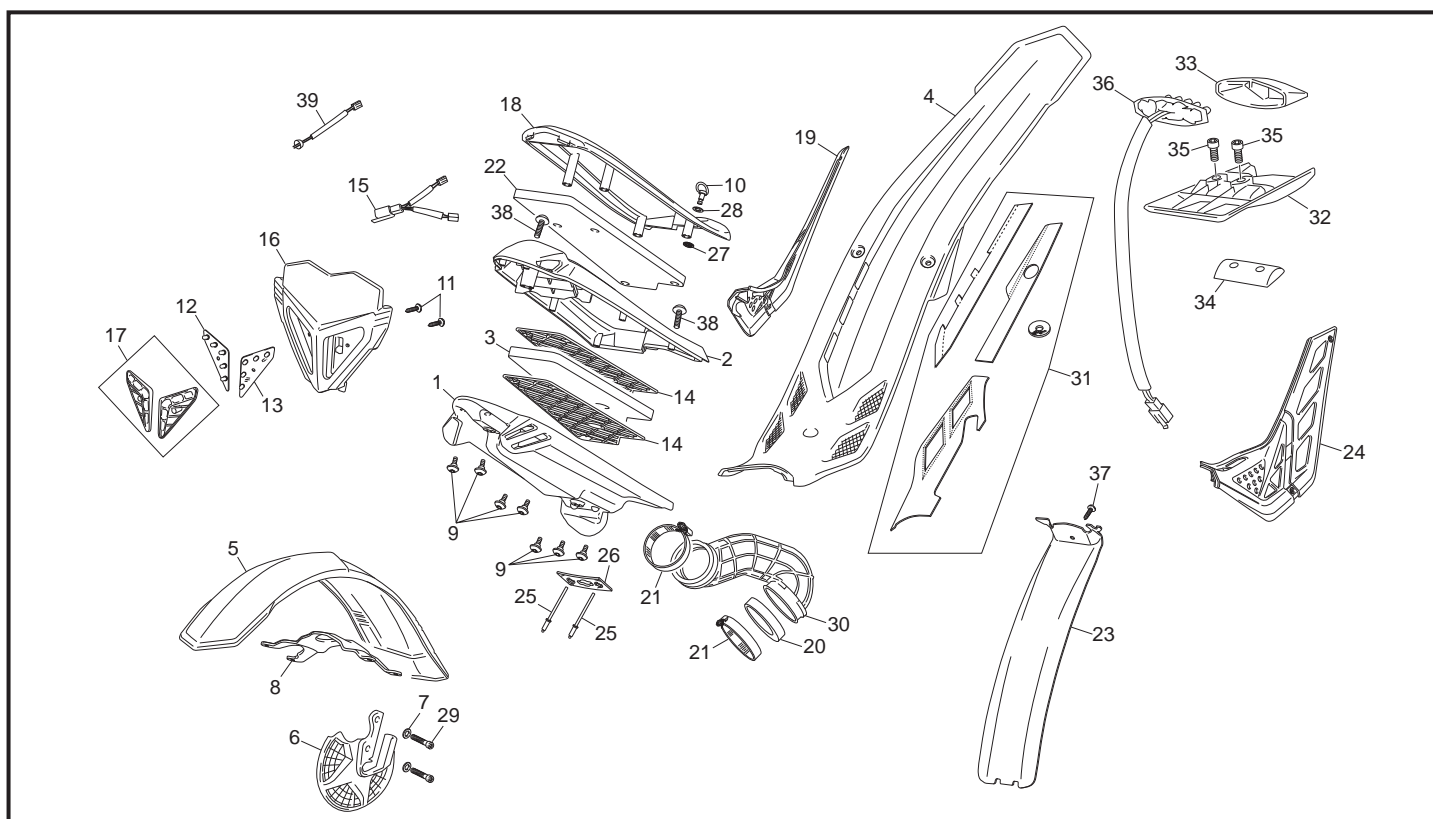
POS.	1.2	2.5	2.9	FRANÇAIS	ENGLISH	ESPAÑOL
35	R233	R233	R233	KIT REPARATION POMPE FREIN AR 2005	KIT BACK CALIPER 2005	KIT REPARACIÓN PINZA FRENO TR 2005
36	C386	C386	C386	ETRIER FREIN ARRIERE 2005	REAR CALIPER 2005	PINZA FRENO TRASERO 2005
37	R044	R044	R044	VIS RACCORD M10 X 21	LINK SCREW M10 X 21	TORNILLO RACORD M10 X 21
38	2942	2942	2942	RAYON NOIR ROUE ARR 32 R DISQUE	BLACK REAR SPOKE WHEEL 32 R DISC	RADIO NEGRO RUEDA TRAS. 32 R DISCO
39	2943	2943	2943	RAYON NOIR ROUE ARR 32 R COURONE	BLACK REAR SPOKE WHEEL 32 R SPROKET	RADIO NEGRO RUEDA TRAS. 32 R PLATO
40	C760	C760	C760	JANTE ARRIERE RAYONS	REAR RIM	LLANTA TRASERA NEGRA
41	C323	C323	C323	MOYEU ARRIERE	REAR HUB	BUJE TRASERO
42	R235	R235	R235	KIT ETRIER ARRIERE	KIT CALIPER BACK	KIT PINZA FRENO TR
43	M282	M282	M282	VIS BHC 6 X 10 1093	SCREW BHC 6 X 10	TORNILLO 6 X 10 ULS
44	R034	R034	R034	ATTACHE RAPIDE DE CHAINE	CONNECTING LINK	ENGANCHE CADENA
45	C390	C390	C390	PLAQUETTES FREIN ARRIERE PAIRE	REAR PAD BRAKE PAIR	JUEGO PASTILLAS TRASERO
46	R005	R005	R005	FLAP DE ROUE ARRIERE	STRIP	FLAP
47	M316	M316	M316	RONDELLE 8 DIN	WASHER 8 DIN	ARANDELA 8 DIN
48	M305	M305	M305	ECROU NYLSTOP M8	NUT NYLSTOP M8	TUERCA NYLSTOP M8

Guidon / Handlebar / Manillar



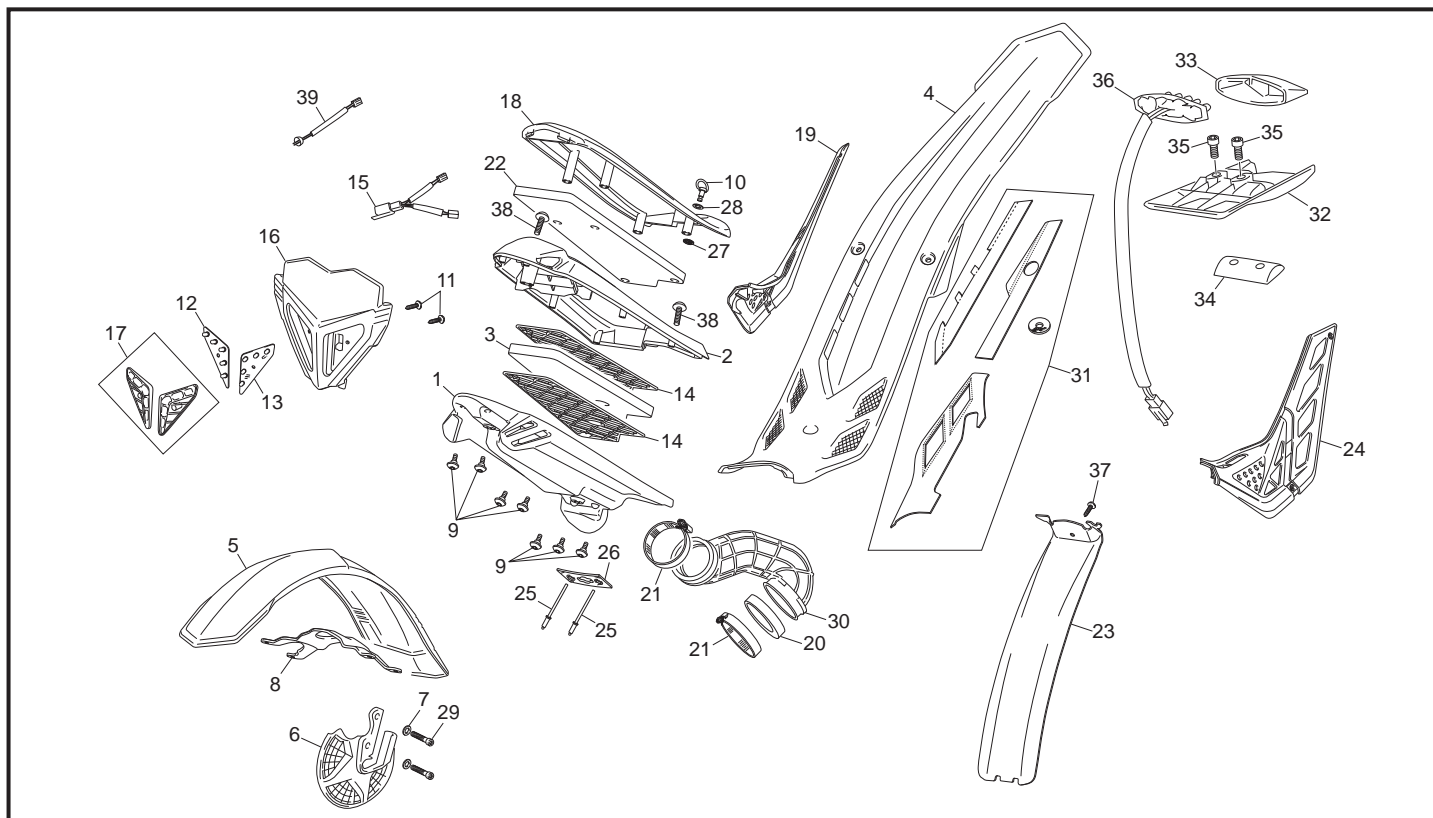
POS.	1.2	2.5	2.9	FRANÇAIS	ENGLISH	ESPAÑOL
1	1201	1201	1201	GUIDON TRIAL NOIR	HANDLEBAR TRIAL BLACK	MANILLAR TRIAL NEGRO
2	C074	C074	C074	COMMANDE DE GAZ	THROTTLE CONTROL	MANDO DE GAS
3	1662	1662	1662	POIGNEE CAOUTCHOUC PAIRE	GRIPS SET	JUEGO EMPUÑADURAS
4	C076	C076	C076	CABLE DE GAZ	THROTTLE CABLE	CABLE DE GAS
5	R023	R023	R023	KIT REP. EMBRAYAGE	CLUTCH SLAVE CYLINDER REPAIR KIT	KIT REPARACIÓN EMBRAGUE
6	R024	R024	R024	TORIQUE EMBRAYAGE	CLUTCH SLAVE CYLINDER O-RING	TÓRICA EMBRAGUE
7	R030	R030	R030	POMPE EMB. CPL	CLUTCH MASTER CYLINDER ASSEMBLY	CONJUNTO BOMBA EMBRAGUE
8	R441	R441	R441	LEJIER EMB SEUL	CLUTCH LEVER	MANETA EMBRAGUE
9	R032	R032	R032	RECEPTEUR EMB SEUL	CLUTCH SLAVE CYLINDER HOUSING	PINZA EMBRAGUE COMPLETA
10	R033	R033	R033	DURITE EMBRAYAGE	CLUTCH HOSE	EMBRAGUE / FRENO
11	M089	M089	M089	GROUPE CPL. EMB.	COMPLETE CLUTCH HYDRAULIC KIT	GRUPO EMBRAGUE COMPLETO
12	R042	R042	R042	CLIP PLAQUETTES	CALIPER SPRING CLIP	CLIP PASTILLAS
13	R207	R207	R207	CONTACTEUR FREIN AVANT	BRAKE LIGHT SWITCH	INTERRUPTOR FRENO DELANTERO
14	C387	C387	C387	ETRIER FREIN AVANT	FRONT CALIPER ASSY	PINZA FRENO DELANTERO
15	C389	C389	C389	PLAQUETTES FREIN PAIRE	PAD BRAKE	JUEGO PASTILLAS FRENO
16	R234	R234	R234	KIT REPARATION ETRIER	FRONT BRAKE CALIPER REPAIR KIT	KIT REPARACIÓN PINZA
17	R053	R053	R053	KIT REPARATION POMPE FREIN	FRONT BR. MASTER CYLINDER REPAIR KIT	KIT REPARACIÓN BOMBA DELANTERO
18	R440	R440	R440	LEVIER FREIN AVANT SEUL	FRONT BR. LEVER	MANETA FRENO
19	R056	R056	R056	POMPE FREIN AV CPL	FRONT BR. MASTER CYLINDER ASSEMB.	BOMBA FRENO DELANTERO
20	R057	R057	R057	PURGEUR ETIER AVANT	BLEED SCREW	SANGRADOR DELANTERO
21	R058	R058	R058	CAPUCHON VIS DE PURGE	BLEED SCREW COVER	TAPÓN SANGRADOR
22	R059	R059	R059	VIS RACCORD M10 x 21	FRONT CALIPER BANJO BOLT	TORNILLO RACORD M10X21
23	R043	R043	R043	GUIDE ETRIER	WIRE GUIDE LOOP	GANCHO LATIGUILLO
24	R044	R044	R044	VIS BANJO	BANJO BOLT	TORNILLO RACORD ULS
25	R074	R074	R074	JOINT	COPPER O-RING	ARANDELA BANJO
26	C318	C318	C318	GROUPE FREIN AVANT CPL	FRONT BRAKE HYDRAULIC ASSEMBLY	GRUPO FRENO DEL COMPLETO
27	R068	R068	R068	PURGEUR RACORD	BLEED SREW	SANGRADOR RACORD
28	R236	R236	R236	AXE ETRIER FREIN AV D. PISTON	PIN FRONT CALIPER DL.PISTON	EJE PINZA FRENO DEL DOBLE PISTÓN
29	M252	M252	M252	VIS CHC 6X20	SCREW CHC 6X20	TORNILLO M6X20 DIN 912
30	M283	M283	M283	VIS BHC 6X16	SCREW BHC 6X16	TORNILLO M6X16 ULS
31	M306	M306	M306	ECROU NYLSTOP M6	NUT NYLSTOP M6	TUERCA NYLSTOP M6
32	M317	M317	M317	RONDELLE X6	WASHER X6	ARANDELA X6 DIN 125 B
33	R366	R366	R366	RACORD	BUSHING FRONT BRAKE LIGHT SWITCH	SOPORTE INTERIOR FRENO
34	R367	R367	R367	RESSORT	SPRING	MUELLE MANETA EMBRAGUE
35	R368	R368	R368	VIS REGULATION	SCREW	TORN. TENSOR MANETA EMBRAGUE
36	1227	1227	1227	MOUSSE GUIDON TRIAL 07	FOAM HANDLEBAR 07	ESPUMA MANILLAR TRIAL 07
37	1246	1246	1246	BRIDAS MUUSE	ZIP TIE	BRIDAS

Plastiques / Plastics / Plásticos



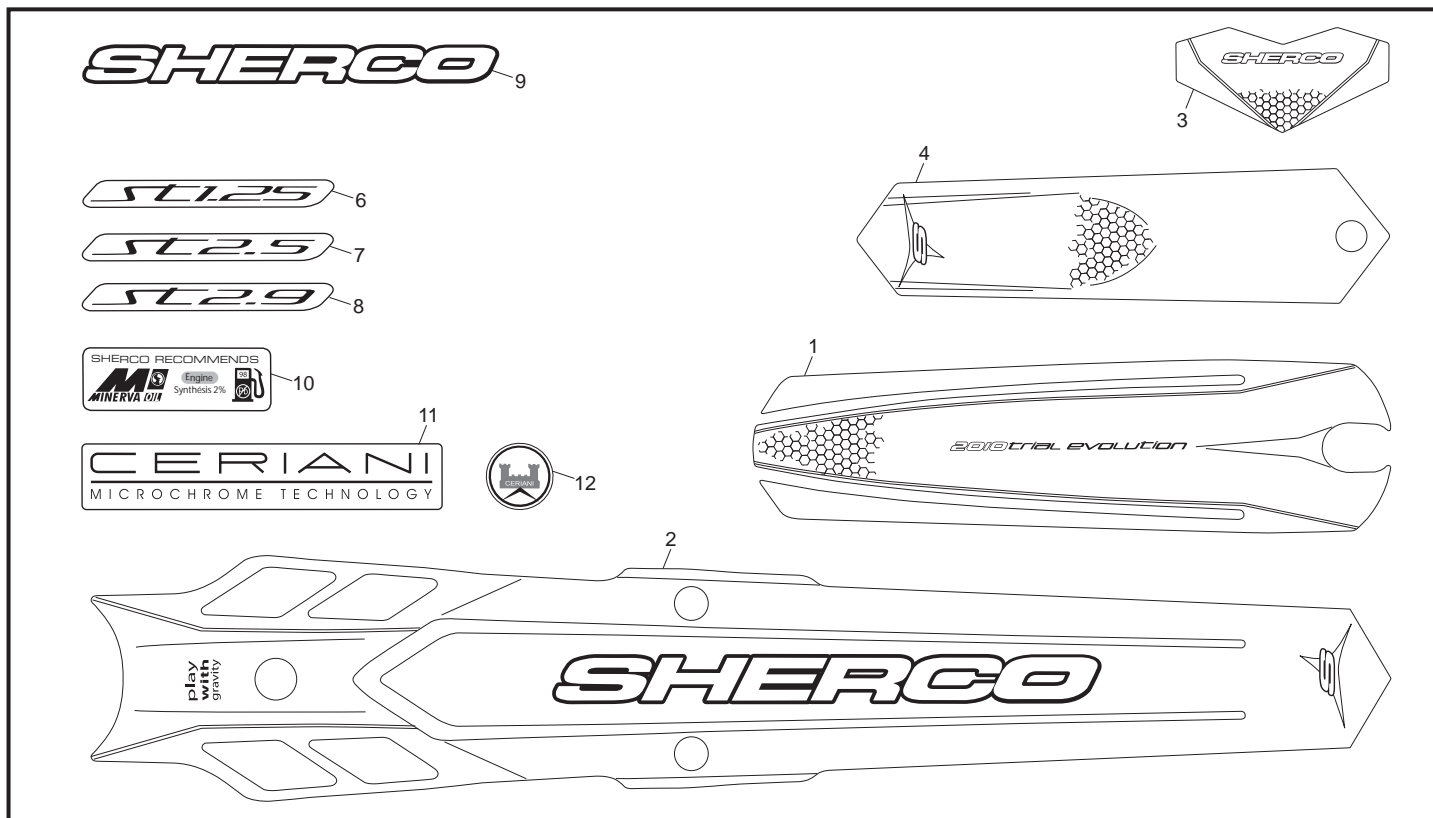
POS.	1.2	2.5	2.9	FRANÇAIS	ENGLISH	ESPAÑOL
1	2264	2264	2264	CORPS FILTRE INF 2010	BODY FILTER INF 2010	CUERPO FILTRO INF 2010
2	2265	2265	2265	CORPS FILTRE SUP 2010	BODY FILTER 2010	CUERPO FILTRO 2010
3	2255	2255	2255	MOUSSE DE FILTRE 2010	FOAM FILTER 2010	ESPUMA DE FILTRO 2010
4	2271	2271	2271	PARE BOUE ARRIERE 2010 TRIAL	REAR MUDGUARD 2010 TRIAL	GUARDABARRO TRASERO 2010 TRIAL
5	2272	2272	2272	PARE BOUE AVANT 2010 TRIAL	FRONT MUDGUARD 2010 TRIAL	GUARDABARRO DELANT. 2010 TRIAL
6	2034	2034	2034	PARE DISQUE AV. NOIR 09 TR	DISC COVER FRONT BLACK 09 TR	PROTECTOR DISCO DEL. NEGRO 09 TR
7	C031	C031	C031	ENTRETOISE PARE DISQUE 08	SPACER DISC COVER 08	SEPARADOR CUBREDISCOS DEL. 08
8	2253	2253	2253	ARCEAU FOURCHE 2010	F/MUDGUARD HOLDER 2010	PUENTE SUSPENSION 2010
9	2266	2266	2266	VIS SPECIAL PLASTIQUE	PLASTIC SPECIAL SCREW	TORNILLO ESPECIAL PLASTICO
10	2267	2267	2267	DZUS DE FILTRE 2010	FILTER DZUS 2010	DZUS DE FILTRO 2010
11	M335	M335	M335	VIS TOLE 3.9 X 16	SCREW TOLE 3.9 X 16	TORNILLO TOLE 3.9 X 16
12	2360	2360	2360	LED AVANT DROITE 2010	FRONT RIGHT BULB 2010	LED DELANTERO DERECHO 2010
13	2361	2361	2361	LED AVANT GAUCHE 2010	FRONT LEFT BULB 2010	LED DELANTERO IZQUIERDO 2010
14	2263	2263	2263	GRILLE FILTRE 2010	FILTER PROTECTOR 2010	REJILLA FILTRO 2010
15	2821	2821	2821	FAISEAU OPTIQUE TRIAL 2010	FRONT LIGHT CABLE SYSTEM TRIAL 2010	INSTALATION OPTICA TRIAL 2010
16	2357	2357	2357	PLAQUE PHARE 2010 TRIAL	PLASTICLIGHT COVER 2010 TRIAL	PLACA FARO 2010 TRIAL
17	2358	2358	2358	OPTIQUE DOUBLE 2010	DOUBLE FRONT LIGHT 2010	OPTICA DOBLE 2010
18	2254	2254	2254	COUVERCLE FILTRE AIR 2010	AIR FILTER BOX COVER 2010	TAPA FILTRO 2010
19	2257	2257	2257	GRILLE PROTECT. ECHAPEMENT 2010	PROTECTOR EXHAUST COVER 2010	REJILLA PROTECTOR ESCAPE 2010
20	2369	2369	----	ADAPTATEUR CARBU DELLORTO	ADAPTER PIPE DELLORTO	ADAPTATOR CARBURADOR DELLORTO
21	0595	0595	0595	COLLIER KC060 MANCHON	COLLAR KC060 HOSE	BRIDA TOBERA
22	2835	2835	2835	MOUSSE SILENCI. COUVERC. FILTRE 2010	SILENCER FOAM FILTER 2010	ESPUMA SILENCIANTE TAPA FILTRO 2010
23	2364	2364	2364	BAVETTE AM 2010	REAR SHOCK COVER 2010	PROTECTOR AMORTIGUADOR 2010
24	2258	2258	2258	GRILLE PROTECTEUR RESERVOIR 2010	PROTECTOR TANK COVER 2010	REJILLA PROTECTOR DEPOSITO 2010
25	2268	2268	2268	RIVET ZEBRA 2.4 X 9	RIVET POP DIAM 2.4 X 9	REMACHE 2.4 X 9
26	2317	2317	2317	PLAQUE DZUS TRIAL	PLAQUE DZUS TRIAL	PLAQUE DZUS TRIAL
27	2318	2318	2318	RONDILLE VEROUILLAGE DZUS TRIAL	WASHER RETENTION DZUS TRIAL	ARANDELLA RETENCION DZUS TRIAL
28	2319	2319	2319	RONDILLE PLASTIQUE DZUS TRIAL	WASHER PLASTIQUE DZUS TRIAL	ARENDELA PLASTICO DZUS TRIAL TORNILLO
29	M267	M267	M267	VIS CHC 4X16	SCREW VIS CHC 4X16	LLO M4X16 DIN 912
30	2262	2262	2262	TOBERA FILTRO CARBU 2T 2010	MANIFOLD FILTER/CARBU 2T 2010	TOBERA FILTRO CARBU 2T 2010
31	2275	2275	2275	ADESIF THERMIQUE GB AR 2010 JEU	THERMIC STECKER MUDGUARD 2010 SET	PROT. TERMICO GUARDABAR. '10 JUEGO
32	2048	2048	2048	SUPPORT FEU ARRIERE TR 09	FIXATION REAR LIGHT TR 09	SOPORTE LUZ TRASERO TR 09
33	2049	2049	2049	FEU ARRIERE TR 09	REAR LIGHT TR 09	LUZ TRASERA TR 09
34	2047	2047	2047	FIXATION SUPPORT MATRICULE TR 09	FIXATION MATRICULATION SUPPORT	SUJECIÓN SOPORTE MATRÍCULA TR 09
35	2052	2052	2052	VIS BHL 5X20	SCREW BHL 5X20	TORNILLO 5X20 ULS
36	2035	2035	2035	LED ARRIERE TR 09	LED BULB TR 09	LED TRASERO TR 09

Plastiques / Plastics / Plásticos



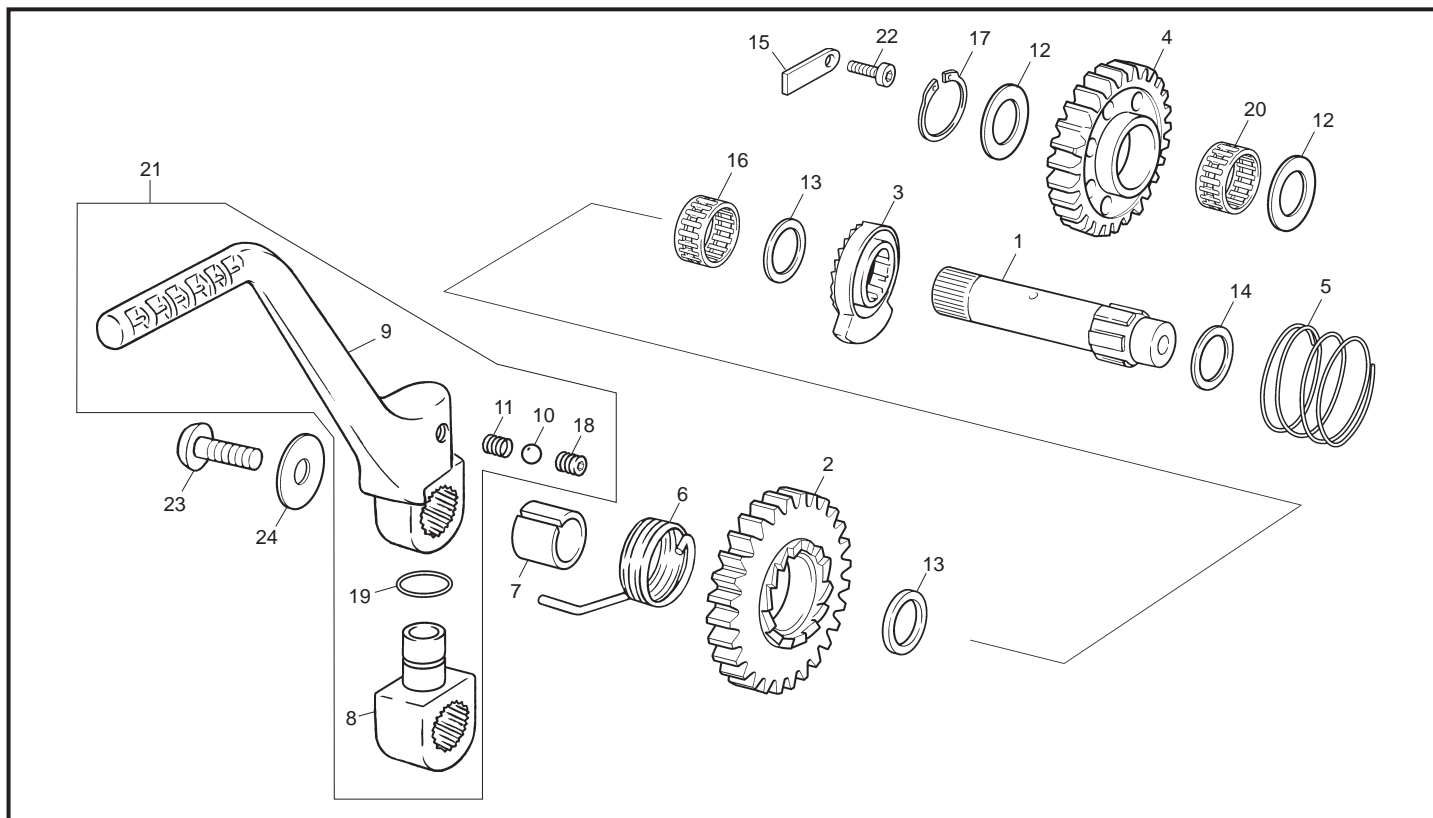
POS.	1.2	2.5	2.9	FRANÇAIS	ENGLISH	ESPAÑOL
37	M345	M345	M345	VIS VHC 6X12 CARROSSERIE	SCREW VHC 6X12 FRAME	TORNILLO VHC 6X12 CARROCERÍA
38	M283	M283	M283	VIS BHC 6X16	SCREW BHC 6X16	TORNILLO BHC 6X16
39	2921	2921	2921	INTERRUPTEUR OPTIQUE	LIGHT SWITCH	INTERRUPTOR OPTICA

Adhesif / Stiker / Adhesivo



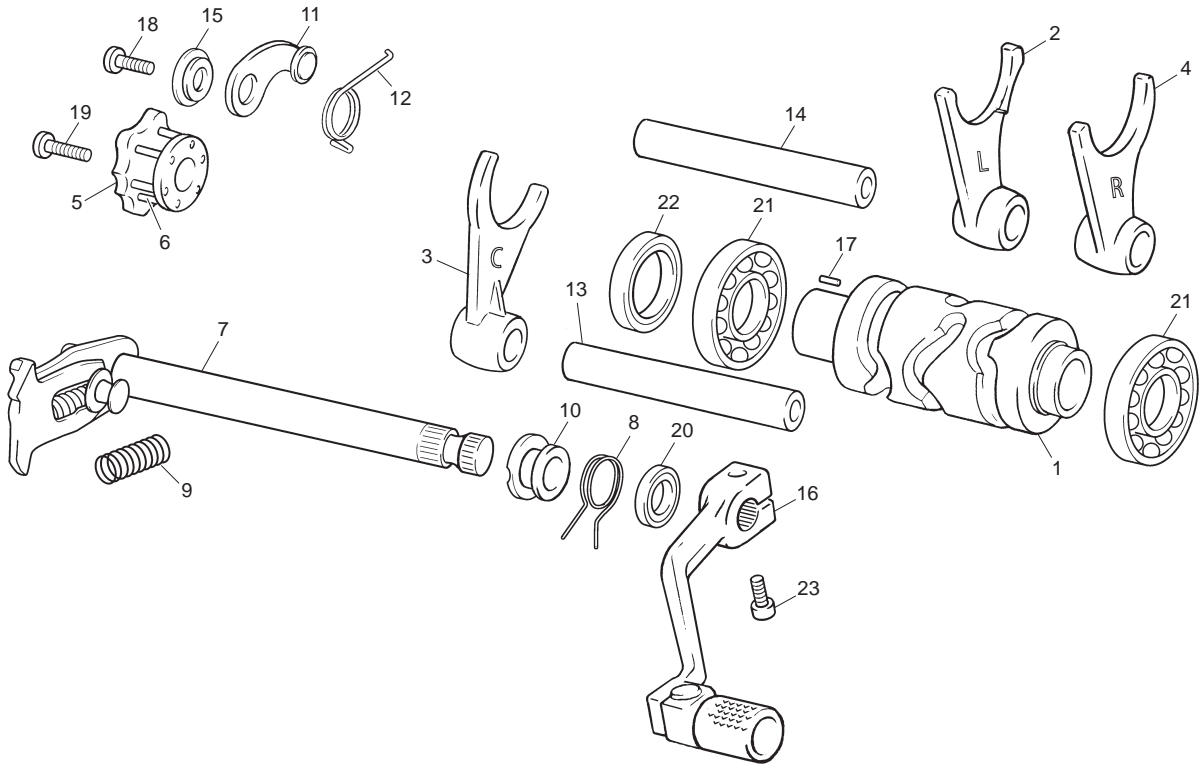
POS.	1.2	2.5	2.9	FRANÇAIS	ENGLISH	ESPAÑOL
1	2837	2837	2837	ADHESIF CAPOT BOITE FILTRE TRIAL 2010	AIR BOX COVER STICKER TRIAL 2010	ADHESIVO TAPA CAJA FILTRO TRIAL 2010
2	2836	2836	2836	ADHESIF GB AR TRIAL 2010	MUDGUARD BACK STICKER TRIAL 2010	ADHESIVO GB TRAS TRIAL 2010
3	2838	2838	2838	ADHESIF PLAQUE PHARE TRIAL 2010	FRONT LIGHT STICKER TRIAL 2010	ADHESIVO PLACA FARO TRIAL 2010
4	2839	2839	2839	ADHESIF GB AV TRIAL 2010	MUDGUARD FRONT STICKER TRIAL 2010	ADHESIVO GB DEL TRIAL 2010
6	2842	----	----	ADHESIF ST1.25 TRIAL 2010	ST 1.25 STICKERS TRIAL 2010	ADHESIVO ST1.25 TRIAL 2010
7	----	2843	----	ADHESIF ST 2.5 TRIAL 2010	ST 2.5 STICKER TRIAL 2010	ADHESIVO ST 2.5 TRIAL 2010
8	----	----	2844	ADHESIF ST 2.9 TRIAL 2010	ST 2.9 STICKER TRIAL 2010	ADHESIVO ST 2.9 TRIAL 2010
9	2848	2848	2848	ADHESIF SHERCO RESINE FILTRE	STICKER SHERCO RESINE AIR BOX	ADHESIVO SHERCO GOTA CAJA FILTRO
10	C393	C393	C393	ADHESIF MINERVA S/PLOMB 98	PETROL MINERVA STICKER 98	ADHESIVO MINERVA S/PLOMO 98
11	2841	2841	2841	ADHESIF FOURCHE TRIAL 2010	STICKERS FORK TRIAL 2010	ADHESIVO HORQUILLA TRIAL 2010
12	1589	1589	1589	ADHESIF LOGO CERIANI	CERIANI LOGO STIKER	ADHESIVO LOGO CERIANI

Lanceur / Kickstarter assembly / Pedal arranque



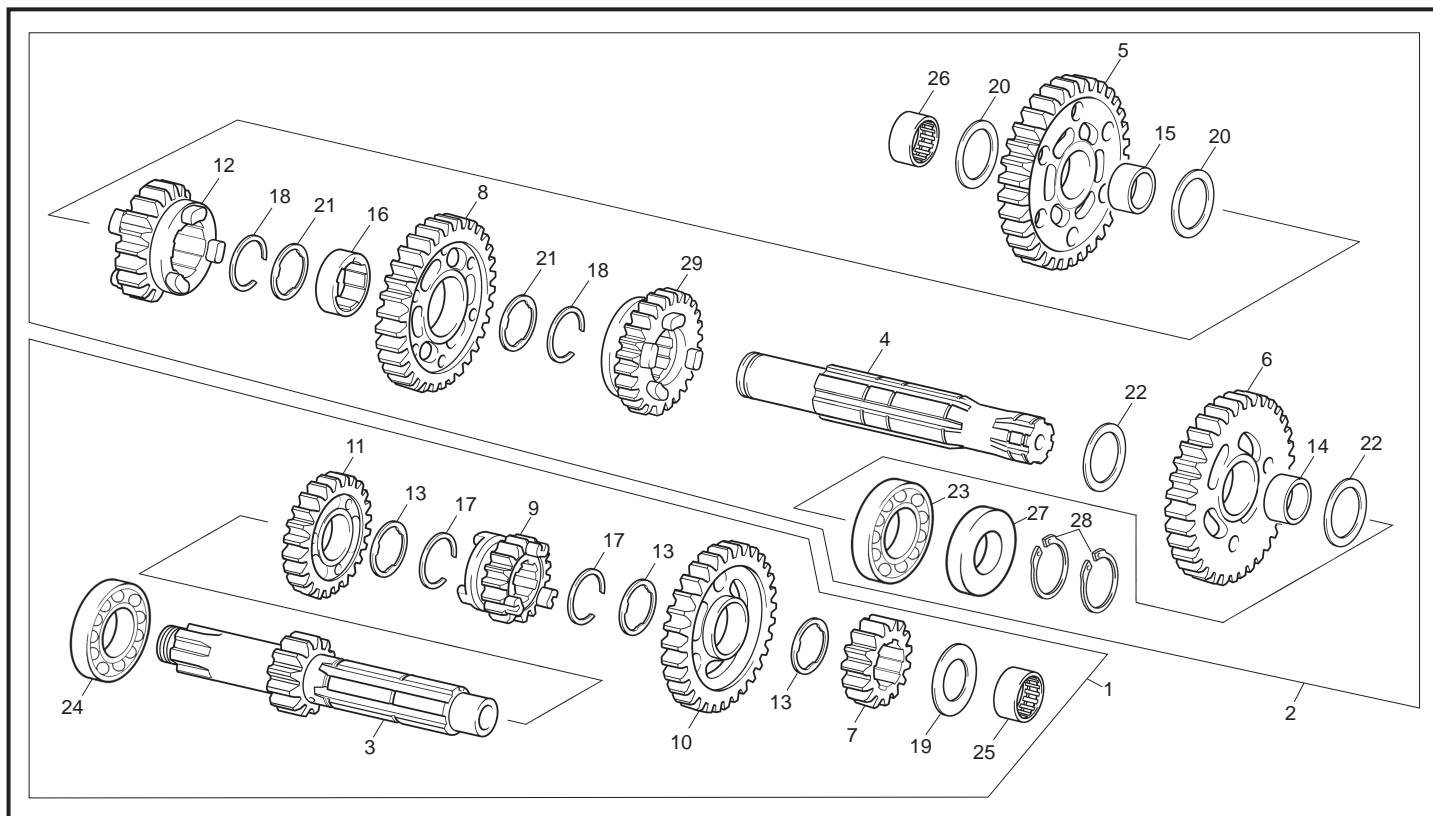
POS.	1.2	2.5	2.9	FRANÇAIS	ENGLISH	ESPAÑOL
1	M150	M150	M150	ARBRE LANCEUR	KICKSTARTER SHAFT	EJE ARRANQUE
2	M151	M151	M151	PIGNON LIBRE DENT DE LOUP	KICKSTARTER PINION	PIÑÓN TRINQUETE
3	M152	M152	M152	COULISSEAU DENT DE LOUP	KICKSTARTER FREE RACHET	TRINQUETE DESPLAZABLE
4	M153	M153	M153	ROUE INTERMEDIAIRE	KICKSTARTER IDLE GEAR	RUEDA INTERMEDIA
5	M155	M155	M155	RESSORT COULISSEAU D DE L	COMPRESSION SPRING	MUELLE TRINQUETE
6	M156	M156	M156	RESSORT DE RAPPEL	KICKSTARTER SPRING	MUELLE DE RETORNO
7	M157	M157	M157	DOUILLE CENTRAGE RESSORT	KICKSTARTER SPRING SPACER	CASQUILLO CENTRAJE MUELLE
8	M158	M158	M158	NOIX DE KICK	KICKSTARTER LOWER CLAMP	MUÑEQUILLA PEDAL ARRANQUE
9	M159	M159	M159	LEVIER DE KICK	KICKSTARTER UPPER LEVER	PEDAL ARRANQUE
10	M160	M160	M160	BILLE 5.5	5.5 BALL	BOLA 5.5
11	M161	M161	M161	RESSORT DE POUSSEE BILLE	BALL SPRING	MUELLE PULSADOR BOLA
12	M163	M163	M163	RONDILLE INA AS 17X30X1	WASHER INA AS 17X30X1	ARANDELA INA AS 17X30X1
13	M164	M164	M164	RONDILLE ARBRE 17X25X1	WASHER 17X25X1	ARANDELA EJE ARRANQUE 17X25X1
14	M165	M165	M165	RONDILLE ARBRE 16X25X1	WASHER 16X25X1	ARANDELA EJE ARRANQUE 16X25X1
15	M166	M166	M166	BUTEE COULISSEAU D DE L	KICKSTARTER RACHET STOP	TOPE TRINQUETE DESPLAZABLE
16	M167	M167	M167	CAGE AIGUILLE PIGNON DENT LOUP	NEEDLE BEARING	JAULA AGUJAS PIÑÓN TRINQUETE
17	M171	M171	M171	SEGMENT ARRET DIAN 17	RETAINING RING 17	SEGER DIÁMETRO 17
18	M169	M169	M169	VIS SANS TETE	SET SCREW	PRISIONERO
19	M168	M168	M168	TORIQUE 14X2	O-RING 14X2	TÓRICA 14X2
20	M077	M077	M077	DOUILLE AIGUILLE HK1712 B	NEEDLE ROLLER BEARING HK1712 B	JAULA AGUJAS HK1712 B
21	M149	M149	M149	KICK COMPLETE	COMP KICKSTARTER LEVER ASSEMBLY	PEDAL COMPLETO
22	M251	M251	M251	VIS CHC 6X16	SCREW CHC 6X16	TORNILLO M6X16 DIN 912
23	M280	M280	M280	VIS BHC 8X16	SCREW BHC 8X16	TORNILLO M8X16 ULS
24	M319	M319	M319	RONDILLE 8X18X1.5	WASHER 8X18X1.5	ARANDELA 8X18X1.5 CÓNICA DIN

Selecteur / Gear selector group / Selector cambio



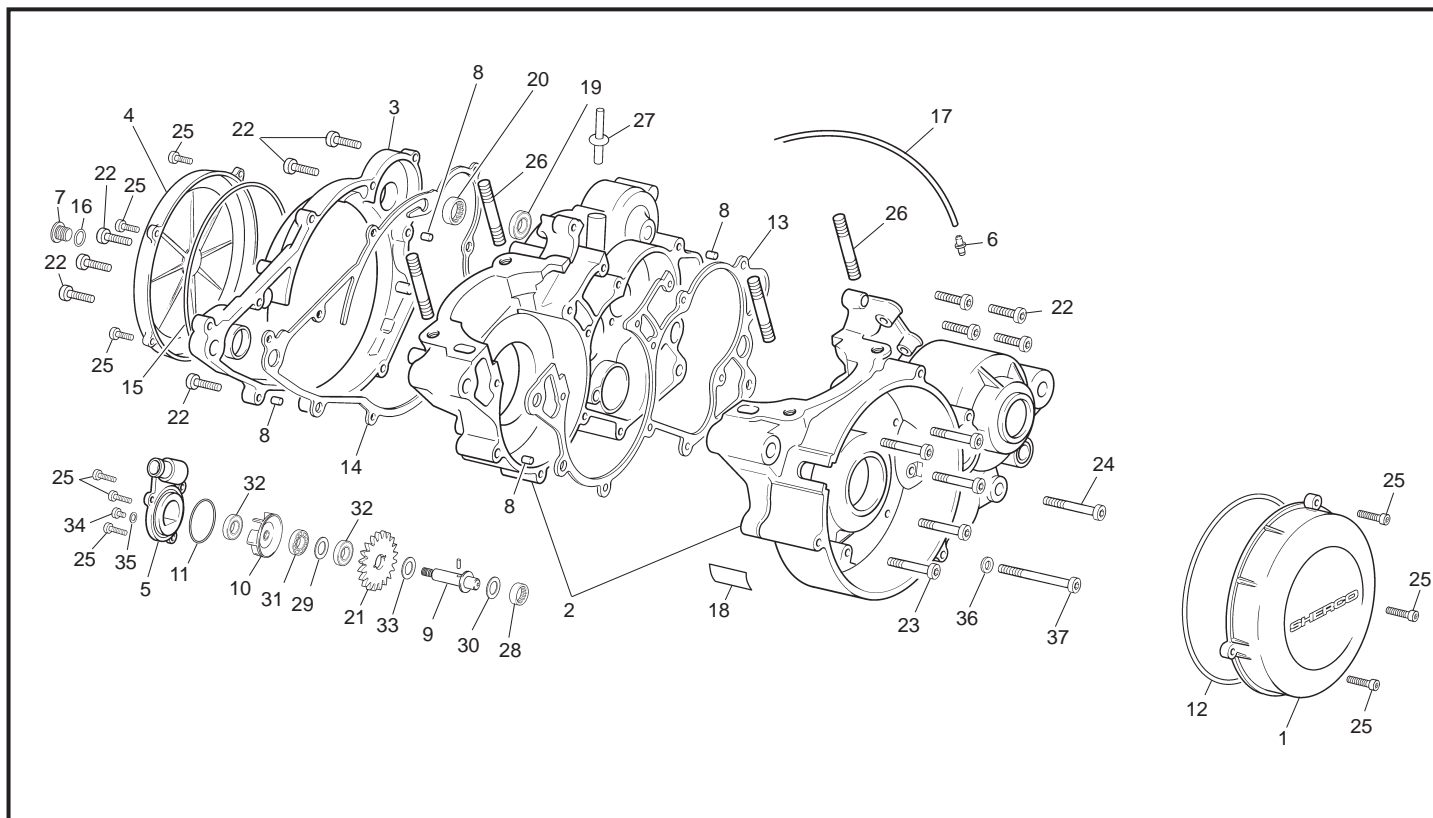
POS.	1.2	2.5	2.9	FRANÇAIS	ENGLISH	ESPAÑOL
1	M100	M100	M100	TAMBOUR DE SELECTION	SELECTOR DRUM	DESMODRÓMICO SELECTOR
2	M102	M102	M102	FOURCHETTE L	L FORK	HORQUILLA L
3	M103	M103	M103	FOURCHETTE	C FORK	HORQUILLA C
4	M104	M104	M104	FOURCHETTE R	R FORK	HORQUILLA R
5	M105	M105	M105	ETOILE DE SELECTION CPL	INDEX SHIM	ESTRELLA SELECTOR
6	M106	M106	M106	PION ETOILE INA NRA 3X19,8	SELECTOR DRUM	AGUJA DE SELECTORINA
7	M107	M107	M107	ARBRE DE SELECTEUR CPL	SHIFT SHAFT WITH PAWL ASSY	ÁRBOL SELECTOR
8	M110	M110	M110	RESSORT RAPPEL SELECTION	SPRING SHIFT LEVER	MUELLE RETORNO SELECTOR
9	M111	M111	M111	RESSORT RAPPEL COULISSEAU	PAWL ASSY SPRING	MUELLE RETORNO ESCORPIÓN
10	M113	M113	M113	DOUILLE CENTRAGE RESSORT RAPPEL	SPACER SPRING SHIFT LEVER	CASQUILLO CENTRAJE MUELLE
11	M114	M114	M114	LEVER DE VERROUILLAGE CPL	INDEX LEVER ASSY	PALANCA DE CIERRE SELECTOR
12	M117	M117	M117	RESSORT DE RAPPE LEVIER VERROUIL	INDEX SPRING	MUELLE RETORNO PALANCA DE CIERRE
13	M118	M118	M118	AX DE FOURCHETTE COURT	FORK SPINDLE	EJE DE HORQUILLA CORTO
14	M119	M119	M119	AXE DE FOURCHETTE LONG	FORK SPINDLE LONG	EJE DE HORQUILLA LARGO
15	M121	M121	M121	DOUILLE LEVIER VERROUILLAGE	COLLAR	CASQUILLO PALANCA CIERRE
16	M127	M127	M127	SELECTEUR EXTERIEUR	SHIFT LEVER ASSY	PALANCA DE CAMBIO
17	M122	M122	M122	PION CLAVETAGE NRA 3X11,8	NEEDLE PINNRA 3X11,8	AGUJA DESMO NRA 3X11,8
18	M251	M251	M251	VIS CHC 6X16	SCREW CHC 6X16	TORNILLO M6X16 DIN 912
19	M253	M253	M253	VIS CHC 6X30	SCREW CHC 6X30	TORNILLO M6X30 DIN 912
20	M126	M126	M126	JOINT 12X19X5	SEAL	RETÉN SELECTOR 12X19X5
21	M123	M123	M123	ROULEMENT A BILLES	BEARING	COJINETE
22	M124	M124	M124	JOINT	SEAL	RETÉN
23	M252	M252	M252	VIS CHC 6X20 0084	SCREW CHC 6X20	TORNILLO 6X20 DIN 912

Boite a vitesses / Gear set / Cambio



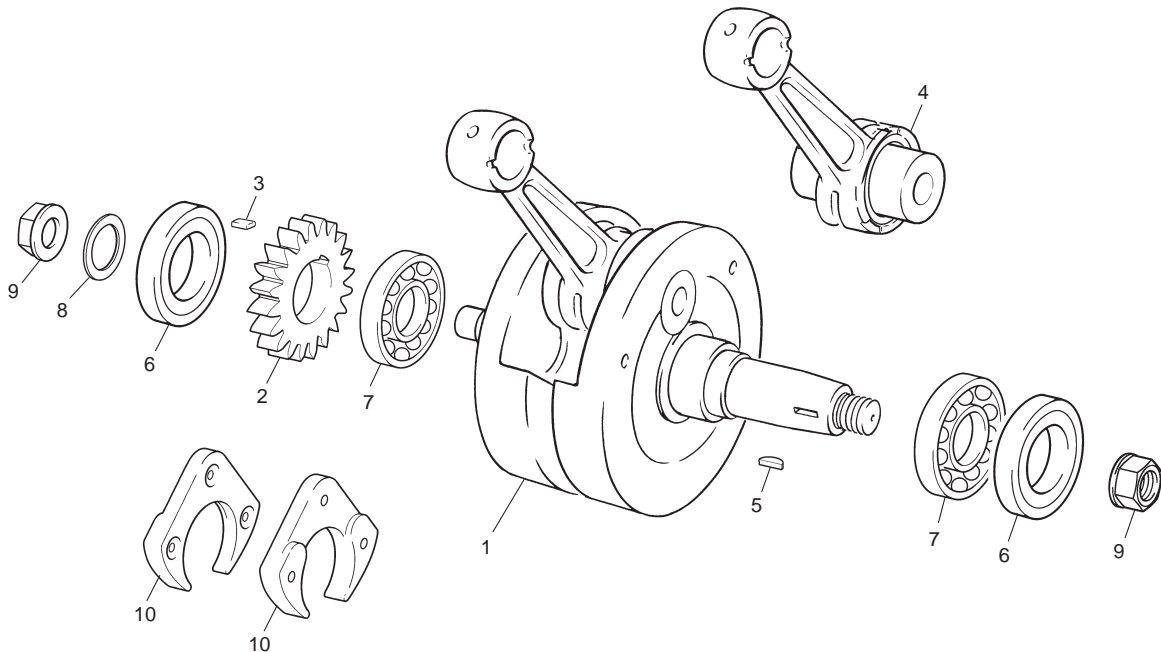
POS.	1.2	2.5	2.9	FRANÇAIS	ENGLISH	ESPAÑOL
1	M390	M390	M390	ENSEMBLE ARBRE PRIMAIRE	GROUP PRIMARY SHAFT WITH PINION	CONJUNTO. EJE PRIM. CAMBIO
2	M391	M391	M391	ENSEMBLE ARBRE SECONDAIRE	GR. SECONDARY SHAFT WITH PINION	CONJUNTO. EJE SECUN. CAMBIO
3	M374	M374	M374	ARBRE PRIMAIRE / PIGNON 1ERE EV. 2	GEAR CLUTCH SHAFT EVOL 2	EJE PRIMARIO EVOL 2
4	M054	M054	M054	ARBRE SECONDAIRE	MAINSHAFT	EJE SECUNDARIO
5	M367	M367	M367	PIG. SECONDAIRE 1ERE EVOL 2 S/S	PINION SECOND 1ERE EVOL 2 S/S	PIÑÓN SECOND 1ERE EVOL 2 S/S
6	M056	M056	M056	ROUE LIBRE DE 2EME S/S	FREE PINION 2EME	CORONA DE 2º S/S
7	M057	M057	M057	PIGNON FIXE DE 2EME S/P	GEAR PINION 2EME	PIÑÓN DE 2º S/P
8	M058	M058	M058	ROUE LIBRE DE 3EME S/S	FREE PINION 3EME	CORONA DE 3º S/S
9	M059	M059	M059	PIGNON BALADEUR DE 3EME S/P	GEAR PINION 3EME	PIÑÓN DESPLAZABLE 3º S/P
10	M061	M061	M061	ROUE LIBRE DE 5EME S/P	FREE PINION 5EME	CORONA LIBRE DE 5º S/P
11	M062	M062	M062	LIBRE DE 4EME S/P	GEAR PINION 4EME	PIÑÓN DE 4º S/P
12	M063	M063	M063	ROUE BALADEUSE DE 4EME S/S	FREE PINION 4EME	CORONA DESPLAZABLE DE 4º S/S
13	M064	M064	M064	RONDILLE CRENEAUX 20X24X1	GEAR WASHER	ARANDELA ESTRIADA
14	M065	M065	M065	DOUILLE ANTI FRICTION 1ERE	BUSHING 1ERE	CASQUILLO ANTI-FRICCIÓN 1º
15	M066	M066	M066	DOUILLE ANTI FRICTION 2EME	BUSHING 2EME	CASQUILLO ANTI-FRICCIÓN 2º
16	M067	M067	M067	DOUILLE ANTI FRICTION 3EME	BUSHING 3EME	CASQUILLO ANTI-FRICCIÓN 3º
17	M068	M068	M068	SEGMENT ARRET WR20	RETAINING WR 20	SEGER WR 20
18	M069	M069	M069	SEGMENT ARRET WR22	RETAINING WR 22	SEGER WR 22
19	M070	M070	M070	RON. INA ARBRE PRIMAIRE 27,8X15X1	THRUST WASHER 28,7X15X1	ARAN. INA EJE PRIMARIO 27,8X15X1
20	M071	M071	M071	RONDILLE 17x27x1	MAINSHAFT WASHER 17x27x1	ARANDELA EJE SECUNDARIO 17x27x1
21	M072	M072	M072	RONDILLE CRENEAU ARBRE	WASHER	ARANDELA ESTRIADA EJE SECUNDARIO
22	M073	M073	M073	RON. ARBRE SECONDAIRE 20x27x1	MAINSHAFT WASHER 20x27x1	ARANDELA EJE SECUNDARIO 20x27x1
23	M074	M074	M074	ROULEMENT 20X47X14	BEARING 20X47X14	COJINETE 20X47X14 6204 C3
24	M075	M075	M075	ROULEMENT 20X47X14 RSR	BEARING 20X47X14RSR	COJINETE 20X47X14 6204 RS
25	M076	M076	M076	DOUILLE AIGUILLE 15X21X12	NEEDLE BEARING 15X21X12	CASQUILLO DE AGUJAS 15X21X12
26	M077	M077	M077	DOUILLE AIGUILLE HK1712B	NEEDLE BEARING	CASQUILLO DE AGUJAS HK1712B
27	M078	M078	M078	DOUBLE LEVRE 20X30X7	OIL SEAL 20X30X7 JOINT	RETÉN DOBLE LABIO 20X30X7
28	M350	M350	M350	ARRET WR20 SORTIE BOITE	SNAP RING WR20	SEGMENT ARRET WR20
29	M060	M060	M060	PIGNON LIBRE DE 5EME S/S	GEAR PINION 5EME	PIÑÓN DE 5º S/S

Groupe carters / Crankcase assembly / Grupo carters



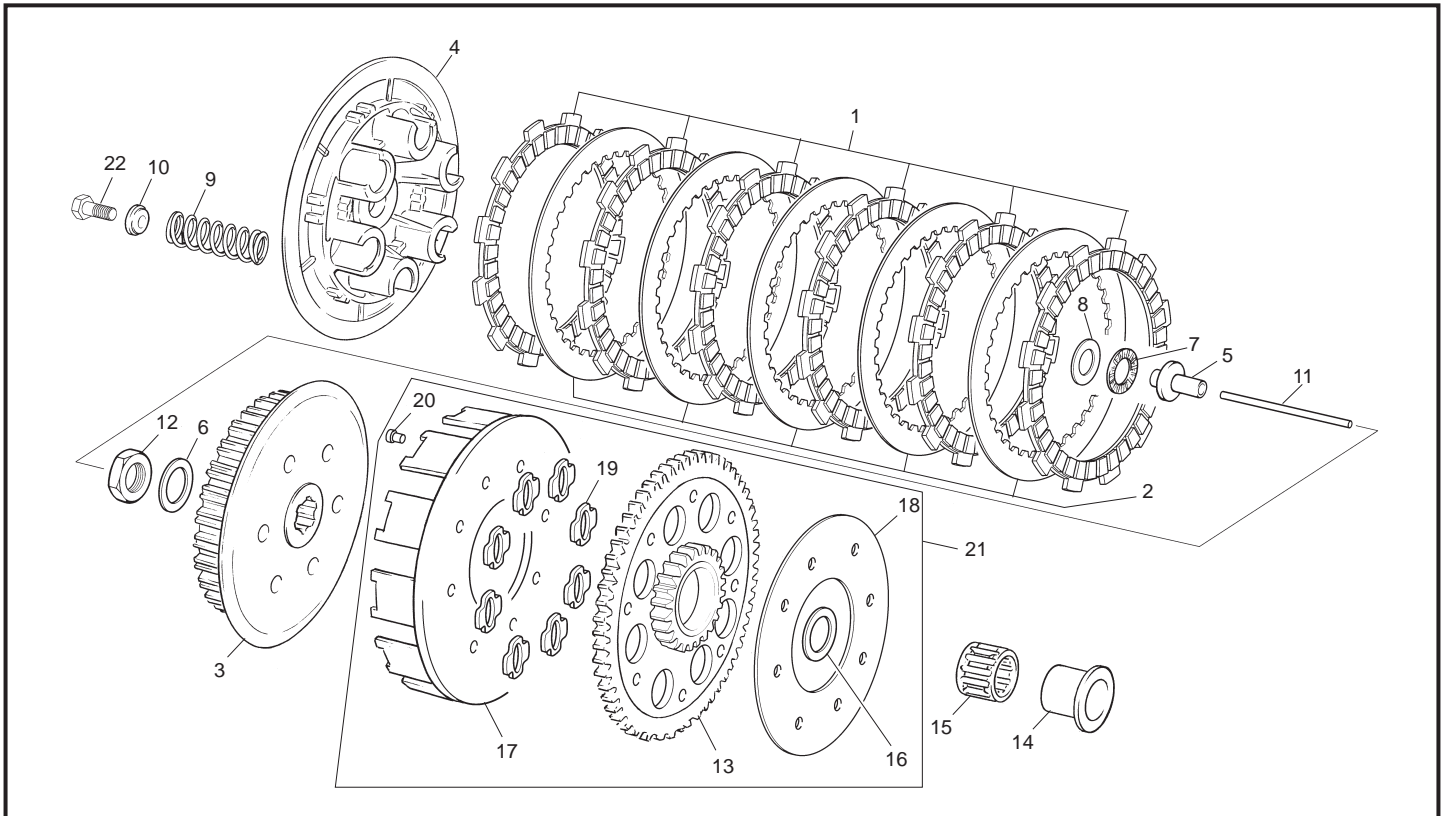
POS.	1.2	2.5	2.9	FRANÇAIS	ENGLISH	ESPAÑOL
1	1982	1982	1982	CARTER ALLUMAGE 09 NOIR	IGNITION COVER 09 BLACK	TAPA ENCENDIDO 09 NEGRO
2	2009	2011	2011	GR. CARTERS CENTRAUX 2.5/2.9 NOIR	CRANKCASES SET 2.5/2.9 BLACK 09	CARTERS CENTRALES 2.5/2.9 NEGRO
3	2012	2012	2012	COVER CARTER LATERAL DROIT 09	ENGINE SIDE CASE 09	CARTER LATERAL DERECHO 09
4	2013	2013	2013	COUVERCLE EMBRAYAGE 09	CLUTCH COVER 09	TAPETA EMBRAGUE 09
5	2014	2014	2014	COUVERCLE POMPE EAU 09	WATER PUMP COVER 09	TAPA BOMBA AGUA 09
6	M016	M016	M016	RENIFLAR CARTER CENTRAL	CRANKCASE BREATHER	TUBO DEPRESOR CARTERS
7	M021	M021	M021	BOUCHON REMPLISSAGE HUILE	TRANSMISSION OIL FILLER CAP	TAPÓN LLENADO ACEITE CARTER
8	M022	M022	M022	CARTER DOUILLE CENTRAGE CARTER	DOWEL PIN	CASQUILLO CENTRADOR
9	M363	M363	M363	AXE POMPE A EAU	WATERPUMP SHAFT	EJE BOMBA AGUA
10	M351	M351	M351	TURBINE DE POMPE A EAU	WATERPUMP IMPELLER	TURBINA BOMBA AGUA
11	M033	M033	M033	JOINT TORIQUE COUVERCLE POMPE	O-RING WATERPUMP COVER	JUNTA TÓRICA TAPA BOMBA AGUA
12	M034	M034	M034	JOINT TORI. COUVERCLE ALLUMAGE	O-RING IGNITION COVER	JUNTA TÓRICA TAPA ENCENDIDO
13	M220	M035	M035	JOINT CARTER CENTRAL	CRANKCASE GASKET	JUNTA CARTER CENTRAL
14	M036	M036	M036	JOINT CARTER LATERAL	ENGINE SIDE CASE GASKET	JUNTA CARTER LATERAL
15	M045	M045	M045	JOINT TORIQUE 155X2	O-RING 155X2	JUNTA TÓRICA 155X2 TAPA EMBRAGUE
16	M162	M162	M162	TORIQUE 10x2.5 BOUCHON HUILE	O-RING	JUNTA TÓRICA TAPÓN ACEITE
17	M017	M017	M017	DURITE RENIFLAR 3X5	CRANKCASE BREATHER PIPE	TUBO DEPRESOR 3X5
18	M079	M079	M079	ADESIF OIL OUT	OIL DRAIN STICKER	ADHESIVO OIL OUT
19	M170	M170	M170	JOINT DOUBLE LEVRES 17X28X5 DL	OIL SEAL 17X28X5 DL	RETÉN DOBLE LABIO 17X28X5 DI.
20	M077	M077	M077	DOUILLE AGUILLE HK1712 B	NEEDLE ROLLER BEARING HK1712 B	JAULA AGUJAS HK1712 B
21	M364	M364	M364	PIGNON POMPE EAU	WATER PUMP PINON	PIÑÓN BOMBA AGUA
22	M253	M253	M253	VIS CHC 6X30	SCREW CHC 6X30	TORNILLO M6X30 DIN 912
23	M254	M254	M254	VIS CHC 6X55	SCREW CHC 6X55	TORNILLO M6X55 DIN 912
24	M256	M256	M256	VIS CHC 6X45	SCREW CHC 6X45	TORNILLO M6X45 DIN 912
25	M250	M250	M250	VIS CHC 5X16	SCREW CHC 5X16	TORNILLO M5X16 CHC
26	M291	M291	M291	GOUJON DE CILYNDRE 8X46	STUD CYLINDER 8X46	ESPÁRAGO CILINDRO 8X46
27	M042	M042	M042	RIVET CARTER CENTRAUX	CRANKCASE CLINCH	REMACHE CARTER CENTRAL
28	M029	M029	M029	ROULEMENT AGUILLE POMPE A EAU	WATER PUMP NEEDLE BEARING	COJ. AGUJAS BOMBA AGUA HK0808
29	M049	M049	M049	RON. BUTTE POMPE A EAU 8X16X0.5	WASHER PUMP BUSHING 8X16X0.5	ARANDELA 8X16X0.5
30	M030	M030	M030	RON. BUTTE POMPE A EAU 8X16X1	WASHER PUMP BUSHING 8X16X1	ARANDELA 8X16X1
31	M027	M027	M027	ROULEMENT	BEARING	COJINETE BOMBA H ₂ O
32	M031	M031	M031	JOINT	SEAL	RETÉN
33	M380	M380	M380	RONDELLE POMPE A EAU	WASHER WATER PUMP	ARANDELA BOMBA AGUA
34	M288	M288	M288	VIS CHC 5X6	SCREW CHC 5X6	TORNILLO M5X6 CHC
35	M277	M277	M277	RONDELLE Ø5	WASHER Ø5	ARANDELA Ø5
36	M276	M276	M276	RONDELLE Ø6	WASHER Ø6	ARANDELA Ø6
37	M257	M257	M257	VIS CHC 6X60	SCREW CHC 6X60	TORNILLO 6X60 CHC

Villebrequin assemble / Crankshaft assembly / Cigüeñal biela



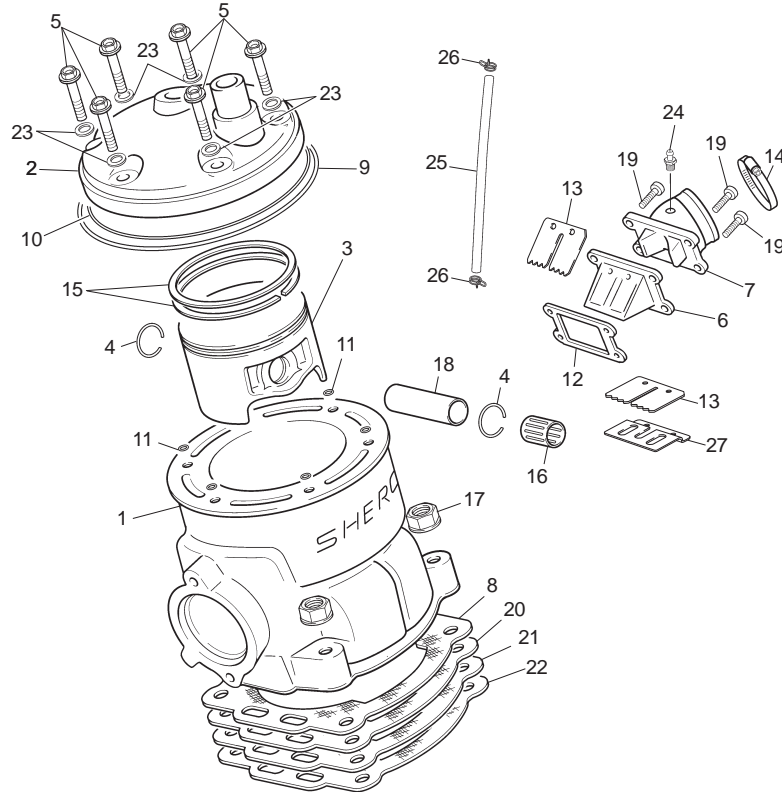
POS.	1.2	2.5	2.9	FRANÇAIS	ENGLISH	ESPAÑOL
1	M211	M014	M014	VILLEBREQUIN CPL TRIAL	CRANCKSHAFT ASSY	CIGÜEÑAL CPL
2	M200	M200	M200	PIGNON PRIMAIRE	PRIMARY DRIVE CRANK PINON	PIÑÓN PRIMARIO
3	M204	M204	M204	CLAVETTE PIGNON PRIMAIRE	WOODRUFF KEY PRIMARY DRIVE	CHAVETA PIÑÓN PRIMARIA
4	R212	R021	R021	KIT BIELLE	CRANKSHAFT REPAIR KIT	KIT BIELA
5	M023	M023	M023	CLAVETTE VILO/DIST 19D	WOODRUFF KEY	CHAVETA 4X15 DIN 6885 FE
6	M219	----	----	JOINT LEVRE VILO 25X35X7 125/200cc	CRANKSHAFT SEAL 25X35X7 125/200cc	RETÉN CIGÜEÑAL 25X35X7 125/200cc
6	----	M032	M032	JOINT LEVRE VILO 25X40X7DL	CRANKSHAFT SEAL 25X40X7DL	RETÉN CIGÜEÑAL 25X40X7DL
7	M218	----	----	ROULEMENT BILLE VILO 6205 2RS.C4	CRANK. BEARING 6205 2RS.C4	COJINETE CIGÜEÑAL 6205 2RS.C4
7	----	M028	M028	ROULEMENT BILLE VILO 6206.TN9/C3	CRANK. BEARING 6206.TN9/C3	COJINETE CIGÜEÑAL 6206.TN9/C3
8	M206	M206	M206	RONDELLE BELLEVILLE 14,2X28X1,5	SPRING WASHER	ARANDELA CÓNICA 14,2X28X1,5
9	M295	M295	M295	ECROU 14X125	HEX NUT M14X125	TUERCA M14X125
10	C309	C309	C309	BOUCHON PASTIC VILO	CRANKSHAFT PLASTIC PLUY	TAPÓN INTERNO CIGÜEÑAL PLÁSTICO

Embrayage / Clutch / Embrague



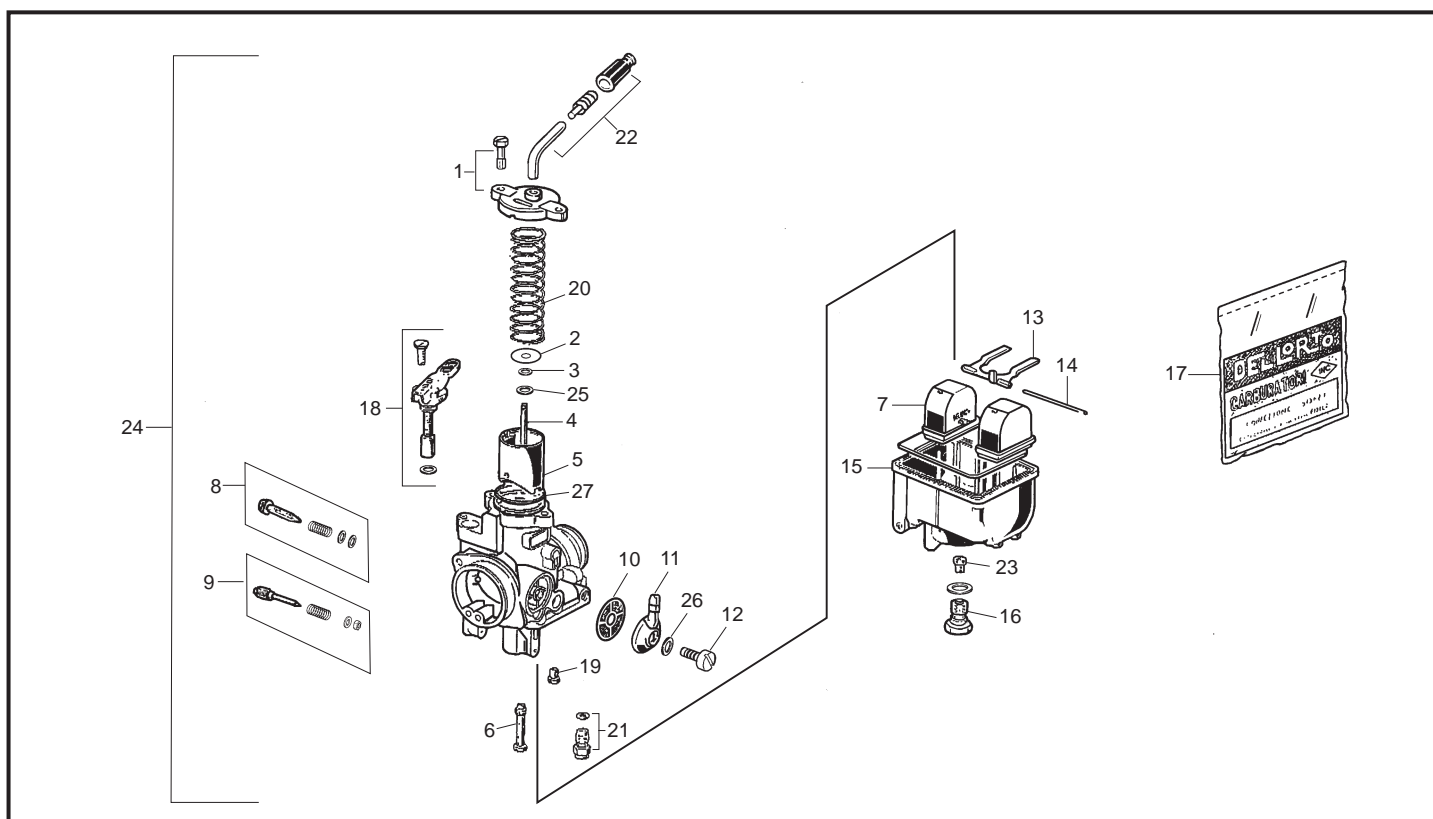
POS.	1.2	2.5	2.9	FRANÇAIS	ENGLISH	ESPAÑOL
1	M080	M080	M080	DISQUE GARNI	FRICTION CLUTCH DISK	DISCO EMBRAGUE FORRADO
2	M081	M081	M081	DISQUE LISE	METAL CLUTCH DISK	DISCO EMBRAGUE METÁLICO
3	M083	M083	M083	NOYAU	CLUTCH HUB	CUBO EMBRAGUE
4	M084	M084	M084	PLATEAU	CLUTCH PRESSURE PLATE	PLATO EMBRAGUE
5	M085	M085	M085	POUSSOIR AXIAL	CLUTCH ACTUATOR	PULSADOR AXIAL
6	M087	M087	M087	RONDELLE BELLEVILLE 16,3X31,5X1,5	BELLEVILLE WASHER 16,3X31,5X1,5	ARANDELA FIJACIÓN 16,3X31,5X1,5
7	M090	M090	M090	BUTÉE AIGUILLE EMB AXK1226A	CLUTCH BEARING	CASQ. AGUJAS EMBRAGUE AXK1226A
8	M091	M091	M091	RONDELLE BUTÉE AS 12X26X1	THRUST WASHER 12X26X1	ARANDELA AS 12X26X1
9	M092	M092	M092	RESSORT EMBRAYAGE	CLUTCH SPRING	MUELLE EMBRAGUE
10	M093	M093	M093	RONDELLE EMBRAYAGE	CLUTCH SPRING WASHER	ARANDELA EMBRAGUE
11	M086	M086	M086	TIGE EMBRAYAGE	PUSHROD	VARILLA EMBRAGUE
12	M293	M293	M293	ECROU NOYAU EMB M16X125	HEX NUT CLUTCH M16X125	TUERCA CUBO EMBRAGUE
13	M201	M201	M201	ROUE PRIMAIRE	PRIMARY DRIVE CLUTCH PINON	RUEDA PRIMARIA
14	M203	M203	M203	DOUILLE ROUE PRIMAIRE	SPACER PRIMARY DRIVE	CASQUILLO RUEDA PRIMARIA
15	M205	M205	M205	CAGE A AIGUILLE 25X33X24	NEEDLE BEARING 25X33X24	JAULA AGUJAS 25X33X24
16	M208	M208	M208	RONDELLE BUTÉE R PRIM INA AS 2035	PRIMARY WASHER AS 2035	ARANDELA TOPE PRIMARIA INA AS 2035
17	M357	M357	M357	HOLDER CLOCHE	CLUTCH BASKET	CAMPANA EMBRAGUE
18	M359	M359	M359	RONDELLE	SHIM	PLATO REMACHES
19	M358	M358	M358	SILENT BLOCK	SILENT BLOCK	SILENTBLOCK
20	M270	M270	M270	RIVET 4X15	RIVET 4X15	REMACHE 4X15
21	M360	M360	M360	GROUPE CLOCHE	CLUTCH HUB BASKET ASSEMBLY	CONJUNTO CAMPANA
22	M094	M094	M094	VIS RESSORT EMBRAYAGE	SCREW CLUTCH SPRING	TORNILLO MUELLE EMBRAGUE

Cylindre / Cylinder / Cilindro



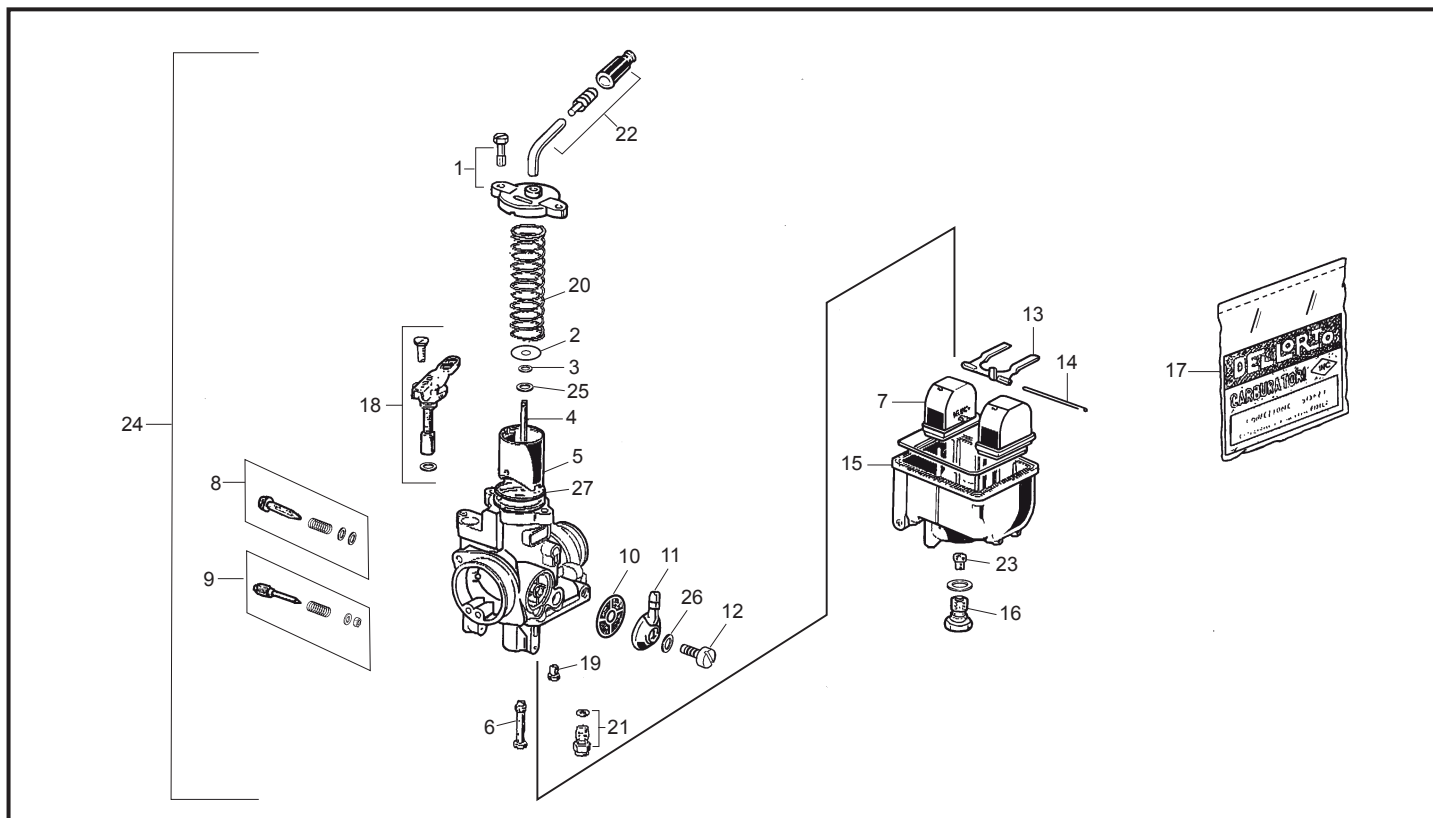
POS.	1.2	2.5	2.9	FRANÇAIS	ENGLISH	ESPAÑOL
1	----	2851	----	CYLINDRE 250 TR 2010	CILYNDER 250 TR 2010	CILINDRO 250 TR 2010
1	----	----	2850	CYLINDRE 290 TR 2010	CILYNDER 290 TR 2010	CILINDRO 290 TR 2010
2	----	----	2847	CULASSE 2.9 TR 2010	CYLINDER HEAD 2.9 TR 2010	CULATA 2.9 TR 2010
2	1987	2901	----	CULASSE 09	CYLINDER HEAD 09	CULATA 09
3	M212	M009	M245	PISTON CPL A	PISTON CPL A	PISTÓN COMP. A
3	M580	M586	M589	PISTON CPL B	PISTON CPL B	PISTÓN COMP. B
3	M581	M587	M590	PISTON CPL C	PISTON CPL C	PISTÓN COMP. C
3	M582	M588	M591	PISTON CPL D	PISTON CPL D	PISTÓN COMP. D
4	R218	M013	M013	CIRCLIPS PISTON	PISTON CIRCLIP	SERCLIP PISTÓN
5	0547	0547	0547	VIS TH 6X30	SCREW TH EP 6X30	TORNILLO TH 6X30
6	C470	M018	M018	BOITE A CLAPETS	REEDS CASE	CAJA DE LAMINAS COMPLETEA
7	1595	1595	1595	PIPE ADMISSION E3	ADMISION PIPE E3	TUBERA ADMISIÓN E3
8	M221	M037	M681	JOINT EMBASE CYLINDRE	CYLINDER GASKET	JUNTA CILINDRO
9	M038	M038	M038	JOINT TORIQUE CULASSE VITON	CYLINDER HEAD O-RING	JUNTA TÓRICA CULATA EXTERIOR
10	M039	M039	M039	JOINT TORIQUE CULASSE VITON	CYLINDER HEAD O-RING	JUNTA TÓRICA CULATA INTERIOR
11	M040	M040	M040	JOINT TORIQUE CYLINDRE 5,7X1,9	CYLINDER HEAD O-RING BOLT 5,7X1,9	JUNTA TÓRICA ESPAR. CULATA 5,7X1,9
12	M041	M041	M041	JOINT BOITE CLAPET	REEDCASE GASKET	JUNTA CAJA LAMINAS
13	R022	R022	R022	CLAPET RECHANGE	REED VALVES	JUEGO LAMINAS
14	C110	C110	C110	COLLIER NORMA 32/50	HOSE CLAMP	ABRAZADERA NORMA 32/50
15	R213	R442	R215	SEGMENT RECTANGULAIRE	STANDARD SIZE PISTON RINGS	ARO RECTANGULAR
16	M241	M248	M248	CAGE AIGUILLE PISTON KBK/16X20X18	NEEDLE BEARING KBK/16X20X18	JAULA AGUJAS 16X20X18
17	M272	M272	M272	ECROU EMBASE X8	COLLAR HEX NUT M8	TUERCA M8 CON VALONA DIN 6923 B
18	R219	R013	R221	AXE DE PISTON	PISTON PIN	BULÓN PISTÓN
19	M252	M252	M252	VIS CHC 6X20	SCREW CHC 6X20	TORNILLO M6X20 CHC
20	1180	1177	1171	JOINT EMBASE CYLINDRE 0,20	CYLINDER GASKET 0,20	JUNTA CILINDRO 0,20
21	1181	1178	1172	JOINT EMBASE CYLINDRE 0,30	CYLINDER GASKET 0,30	JUNTA CILINDRO 0,30
22	1182	1179	1173	JOINT EMBASE CYLINDRE 0,40	CYLINDER GASKET 0,40	JUNTA CILINDRO 0,40
23	2390	2390	2390	RONDELLE CUIVRE 6 X 12 X 1.5	WASHER COPPER 6 X 12 X 1.5	ARANDELA COBRE 6 X 12 X 1.5
24	2868	2868	2868	RACCORD PIPE ADMISSION 1.25	CONEXION PIPE ADMISION 1.25	RACORD TOBERA CAJA LAMINAS 1.25
24	2859	2859	2859	RACCORD PIPE ADMISSION 2.5/2.9	CONEXION PIPE ADMISION 2.5/2.9	RACORD TOBERA CAJA LAMINAS 2.5/2.9
25	C043	C043	C043	DURITE BOUCHON ESSENCE	PETROL TUBE	TUBO TAPON GASOLINA
26	2846	2846	2846	COLLIERE DURITE ESSENCE	COLLARD NORMA 32/50	ABRAZADERA TUBO GASOLINA
27	3994	3994	3994	TOPE CLAPETS RECHANGE	SUPPORT REED VALVES	TOPE LAMINAS

Carburateur / Carburetor / Carburador



POS.	1.2	2.5	2.9	FRANÇAIS	ENGLISH	ESPAÑOL
1	R369	R369	R369	KIT COUVERCLE BOISSEAU	CARBURETOR COVER	TAPA CARBURADOR
2	R370	R370	R370	PLATINE DE RESSORT CARBU	WASHER STOP	ARANDELA TOPE AGUJA
3	R371	R371	R371	CLIP AIGUILLE CARBU	NEEDLE CLIP	CLIP AGUJA
4	R372	R372	R372	AIGUILLE CARBU	NEEDLE	AGUJA
5	R373	R373	R373	BOISSEAU	SLIDE	CAMPANA
6	R374	R374	R374	PULVERISATEUR CARBU	SPRAYER	PULVERIZADOR
7	R375	R375	R375	FLOTEUR DE CARBU	FLOAT	BOYA
8	R376	R376	R376	KIT VIS RGUL GAS CARBU	IDLE SCREW	TORNILLO RELENTÍ
9	R377	R377	R377	KIT VIS RGUL ESSENCE CARBU	FUEL SCREW	TORNILLO AIRE
10	R378	R378	R378	FILTRE ESS CARBU	FUEL FILTER	FILTRO GASOLINA
11	R379	R379	R379	PIPETTE RECCORD TUBE ESS	FUEL FILTER COVER	PIPETA TUBO GASOLINA
12	R380	R380	R380	VIS PIPETTE CARBU	SCREW	TORNILLO PIPETA
13	R381	R381	R381	BALANCIER DE FLOTEUR CARBU	FLOAT BOWL LEVER	BALANCÍN
14	R382	R382	R382	AXE BALANCIER FLOTEUR CARBU	SHAFT	EJE BALANCÍN
15	R383	R383	R383	CUVE CARBURATEUR	FLOAT	CUBA CARBURADOR
16	R384	R384	R384	VIS FIXATION CUVE	SCREW	TORNILLO FIJACIÓN CUBA
17	R385	R385	R385	KIT JOINT CARBURATEUR	GASKET SET	KIT JUNTAS
18	R147	R147	R147	GROUPE STARTER	COLD STARTER ASSEMBLY	LEVA STARTER
19	----	R140	R140	GICLEUR RALENTI 30 SERIE 2,5/2,9	PILOT JET 30 SERIE 2.5/2.9	PULVERIZADOR RALENTI 30 SERIE 2,5/2,9
19	R142	R142	R142	GICLEUR RALENTI 32	PILOT JET 32	PULVERIZADOR RALENTÍ 32
19	R143	R143	R143	GICLEUR RALENTI 33	PILOT JET 33	PULVERIZADOR RALENTÍ 33
19	R144	R144	R144	GICLEUR RALENTI 34	PILOT JET 34	PULVERIZADOR RALENTÍ 34
19	R145	R145	R145	GICLEUR RALENTI 35	PILOT JET 35	PULVERIZADOR RALENTÍ 35
19	R146	R146	R146	GICLEUR RALENTI 36	PILOT JET 36	PULVERIZADOR RALENTÍ 36
19	R148	----	----	GICLEUR RALENTI 40 SERIE 1.2	PILOT JET 40 SERIE 1.2	PULVERIZADOR RALENTI 40 SERIE 1.2
19	R171	R171	R171	GICLEUR RALENTI 38	PILOT JET 38	PULVERIZADOR RALENTÍ 38
20	M044	M044	M044	RESSORT CARBURATEUR	SPRING CARBURETOR	MUELLE CARBURADOR
21	2389	2389	2389	POINTEAU CARBU 200	POINTEAU CARBU 200	VÁLVULA AGUJA 200
22	R237	R237	R237	GUIDE CARBURATEUR	CARBURETOR GUIDE	CURVA GUÍA CARBURADOR
23	R120	R120	R120	GICLEUR PRINCIPAL 120	MAIN JET 120	PULVERIZADOR PRINCIPAL 120
23	R121	R121	R121	GICLEUR PRINCIPAL 121	MAIN JET 121	PULVERIZADOR PRINCIPAL 121
23	----	R122	R122	GICLEUR PRINCIPAL 122 SERIE 2.5/2.9	MAIN JET 122 SERIE 2.5/2.9	PULVERIZADOR PRINCIPAL SERIE 2,5/2,9
23	R123	R123	R123	GICLEUR PRINCIPAL 123	MAIN JET 123	PULVERIZADOR PRINCIPAL 123
23	R124	R124	R124	GICLEUR PRINCIPAL 124	MAIN JET 124	PULVERIZADOR PRINCIPAL 124

Carburateur / Carburetor / Carburador



POS.	1.2	2.5	2.9	FRANÇAIS	ENGLISH	ESPAÑOL
23	R125	R125	R125	GICLEUR PRINCIPAL 125	MAIN JET 125	PULVERIZADOR PRINCIPAL 125
23	R126	R126	R126	GICLEUR PRINCIPAL 126	MAIN JET 126	PULVERIZADOR PRINCIPAL 126
23	R127	R127	R127	GICLEUR PRINCIPAL 127	MAIN JET 127	PULVERIZADOR PRINCIPAL 127
23	R128	R128	R128	GICLEUR PRINCIPAL 128	MAIN JET 128	PULVERIZADOR PRINCIPAL 128
23	R129	R129	R129	GICLEUR PRINCIPAL 129	MAIN JET 129	PULVERIZADOR PRINCIPAL 129
23	R130	R130	R130	GICLEUR PRINCIPAL 130	MAIN JET 130	PULVERIZADOR PRINCIPAL 130
23	R170	R170	R170	GICLEUR PRINCIPAL 115	MAIN JET 115	PULVERIZADOR PRINCIPAL 115
23	R170	R170	R170	GICLEUR PRINCIPAL 115	MAIN JET 115	PULVERIZADOR PRINCIPAL 115
24	M020	M020	M020	CARBURATEUR COMPLET	CARBURETOR COMPLETE	CARBURADOR COMPLETO
25	1251	1251	1251	RONDELLE AGUILLE 0,05	WASHER PLAIN 0,05	ARANDELA AGUJA 0,05
26	4000	4000	4000	RONDELLE PAPIER 6 X 10 X 1	WASHER PAPER 6 X 10 X 1	ARANDELA PAPEL 6 X 10 X 1
27	4006	4006	4006	JOINT TORIQUE 27.5X31.5X2 NBR	O-RING 27.5X31.5X2 NBR	JUNTA TORICA 27.5X31.5X2 NBR



created by: www.ciamfisseny.com

PLAY WITH GRAVITY

SHERCO
recambios@sherco-moto.com

www.sherco-moto.com

2010

SKF  **MICHELIN**  **Leonelli**  **MINERVA OIL**  **SHERCO**
Motorcycles